

Glass Awning Support System

Give any entrance an uncomplicated, graceful look, enhancing the design of any building.



Installation



- High grade 316 stainless steel for durability in even the harshest of environments.
- Complete hardware system for 13.52mm toughened laminated glass awnings
- Provides protection from the weather without obstructing the view
- Adjustable slope for most weather conditions
- All high grade 316 alloy stainless steel components for panel sizes up to 1219mm wide and 1829mm long with two rods and mounting kits
- Easy Installation

The CRL Glass Awning Support System will give any entrance an uncomplicated, graceful look, enhancing the design of any building.

With the use of toughened laminated glass you can add a range of glass colours, textures, and special effects not available with typical monolithic glass. This complements and enhances the design of any building.

The use of eye and fork connections makes the installation of our Awning System quick and easy. The Connecting Rods are designed to make field adjustments on varying job conditions a snap. All components are 316 alloy stainless steel for durability in even the harshest of environments.

Specifications

Material: All 316 alloy stainless steel construction.

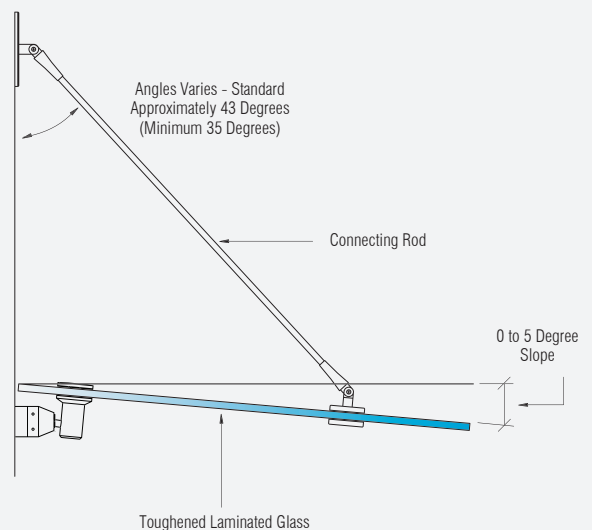
Typical Panel: 13.52mm thick toughened laminated glass comprised of 6mm toughened glass, 1.52mm interlayer, and 6mm toughened glass.

Glass Fabrication Required:

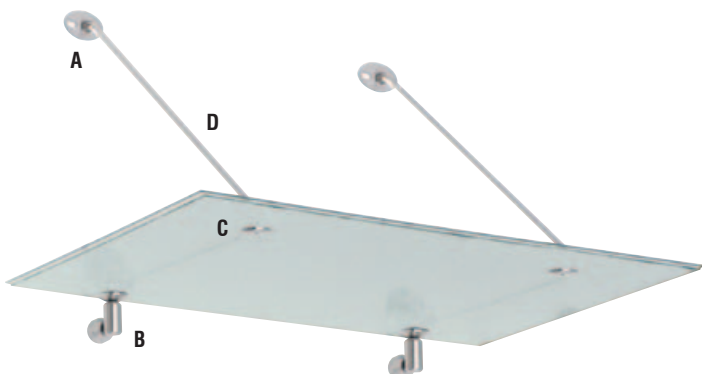
Two 16mm and two 27mm diameter holes per panel.

Ordering Tip: Though sold individually, two Connecting Rods and two Mounting Kits are required for each panel.

See crlaurence.co.uk for glass fabrication details



System Components



Stainless Steel Mounts (A and B) and Pivots (C) are contained in the GAS190BS Mounting Kit. Order Connecting Rods (D) to suit panel width and application conditions. These are contained in GAS137BS, GAS145BS and GAS154BS.

NOTE: Glass panel not included.

CRL Mounting Kit

Oval top mounting bracket and pivot for edge of glass furthest from building are connected by one of three available rod lengths.

Bottom Mount and Pivot are connected to each other to support edge of glass nearest the building.



CODE

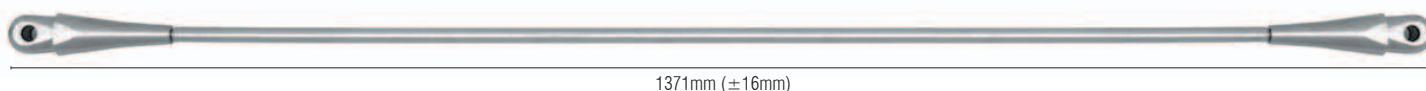
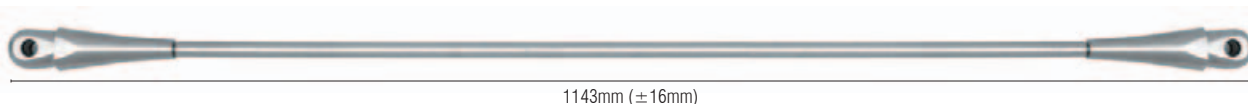
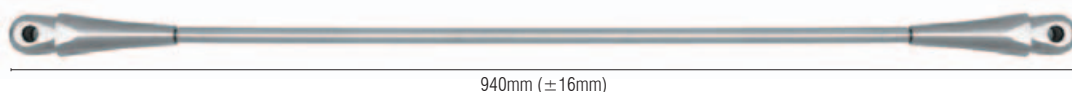
GAS190BS

DESCRIPTION

CRL brushed stainless mounting kit

- High grade 316 stainless steel for durability in even the harshest of environments.
- Complete hardware system for 13.52mm toughened laminated glass awnings
- Provides protection from the weather without obstructing the view
- Adjustable slope for most weather conditions
- All high grade 316 alloy stainless steel components for panel sizes up to 1219mm wide and 1829mm long with two rods and mounting kits
- Easy installation allows an economical and elegant solution for both commercial and residential applications

Connecting Rods



CODE

GAS137BS

GAS145BS

GAS154BS

DESCRIPTION

CRL brushed stainless 940mm glass awning system connecting rod for 914mm wide panels

CRL brushed stainless 1143mm glass awning system connecting rod for 1067mm wide panels

CRL brushed stainless 1372mm glass awning system connecting rod for 1219mm wide panels

CRL Double Plate Glass Awning Pivot

- Fabricated from 316 alloy stainless steel
- Available in brushed or polished stainless

This CRL Double Plate Glass Awning Pivot is for use with our Glass Awning System Support Rods. The Pivot allows for two awning panels to be attached in-line using only one Tension Rod at the connection point instead of two.



CODE

GAS122BS

DESCRIPTION

CRL brushed stainless double plate glass awning pivot

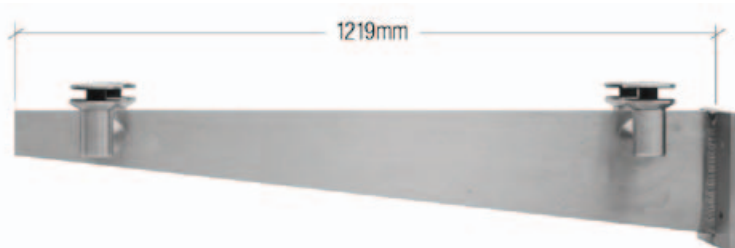
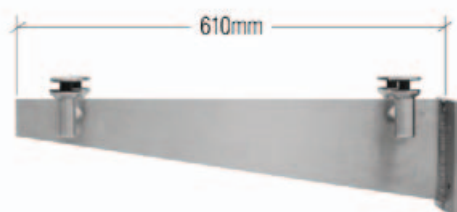
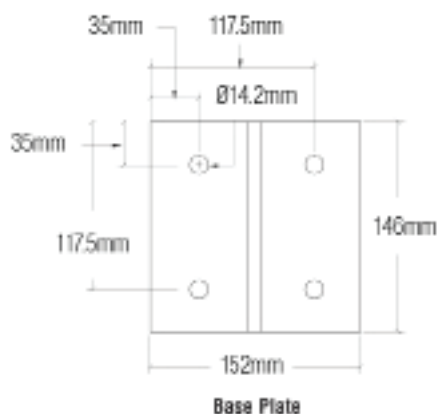
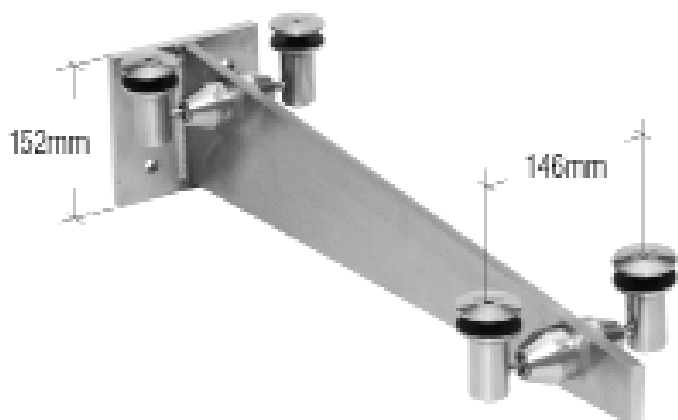
- Complete hardware system for 13.52mm toughened laminated glass awnings
- Provides protection from the weather without obstructing the view
- Adjustable slope for most weather conditions
- All high grade 316 alloy stainless steel components for panel sizes up to 1219mm wide and 1829mm long with two rods and mounting kits
- Easy installation allows an economical and elegant solution for both commercial and residential applications

CRL Wall Mounted Brackets



- Used on flat or curved top segmented glass awnings
- Fabricated from 304 alloy stainless steel
- Available in brushed or polished stainless
- Custom angles or 45 degree corner brackets are available on special order
- Requires 13.52mm thick toughened laminated glass

These universal wall mounted glass awning brackets have really become popular, not just for their looks but also their versatility.



CODE	DESCRIPTION
GAB24BS	CRL universal wall mounted brushed stainless 610mm glass awning bracket
GAB36BS	CRL universal wall mounted brushed stainless 914mm glass awning bracket
GAB48BS	CRL universal wall mounted brushed stainless 1219mm glass awning bracket

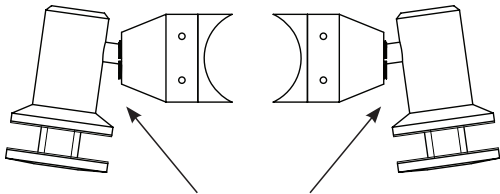
Also available in polished stainless finish. See crlaurence.co.uk for details.

Wall Mounted Bracket includes 2x Arm Fittings, Swivel or Fixed upon request

CRL Arm Fitting

- Fabricated from 316 alloy stainless steel
- Available in brushed or polished stainless

RB50SBS

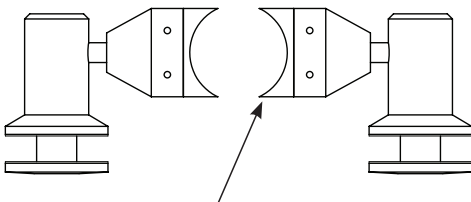


Swivel Fitting

Designed for segment applications. Each Swivel Fitting is adjustable up to 8 degrees.



RB50FBS



Fixed Fitting

Designed for mounting to 38mm schedule 40 post, column, or flat wall.



CODE	DESCRIPTION
RB50FBS	CRL Double Arm Fixed Fitting Set
RB50FPS	
RB50SBS	CRL Double Arm Swivel Fitting Set
RB50SPS	

CRL Heavy Duty Standoffs



CRL's heavy-duty, point supported Glass Rail Standoff Fittings gives the installer more adjustment during installation for those tricky job site mounting conditions. The steel back plate can be fastened directly to steel, concrete, or wood substrates and shimmed as required with blocking.



CODE

DESCRIPTION

RS0B20BS
RS0B20PS

CRL Glass Rail Stand-off Fittings Standard 51mm Diameter Caps

- For use with 12 or 19mm monolithic toughened glass.
- Also for use with 13.5 or 21.5mm laminated toughened glass.
- Two 19mm diameter holes per fitting
- Fabricated from 316 alloy stainless steel
- Full engineering data available at crlaurence.co.uk



CODE

DESCRIPTION

RS0B25BS
RS0B25PS

CRL Glass Rail Stand-off Fittings Standard 60mm Diameter Caps

- Ready to install
- Low maintenance with special coating to prevent corrosion
- Four standard post heights, plus a stock length so you can cut custom heights
- Custom colours also available
- Seven attractive colours, plus unfinished chromate available from stock. For details visit crlaurence.co.uk
- For use with 12 or 19mm monolithic toughened glass.
- Also for use with 13.5 or 21.5mm laminated toughened glass.
- Two 19mm diameter holes per fitting
- Fabricated from 316 alloy stainless steel
- Full engineering data available at crlaurence.co.uk



DuPont
SGP Glass
Recommended

See crlaurence.co.uk for installation tools and fixings

CRL Glass Rail Standoffs



These heavy-duty Rail Standoffs are designed for glass handrail or guardrail applications standard. The Standoff Fittings have a 44mm standard projection from the installed attachment point. Custom lengths and diameters are also available. See crlaurence.co.uk for further details.



DuPont
SGP Glass
Recommended

CODE

DESCRIPTION

RS0B2134BS
RS0B2134PS

CRL Glass Rail Stand-off Base and Standard 51mm Diameter Cap

RS0B2135BS
RS0B2135PS

CRL Glass Rail Stand-off Base and Domed 60mm Diameter Cap

- For Use With 12 or 19mm monolithic toughened glass
- Also for use with 13.52mm and 21.52mm laminated toughened glass
- One 19mm diameter hole per fitting
- Fabricated from 316 alloy stainless steel
- Full engineering data available at crlaurence.co.uk

GLASS & STAINLESS STEEL PROTECTION

- Ideal for windows, railings, cladding and canopies
- Helps to protect stainless steel from corrosion
- 3 year protection lifespan
- Nano technology silica dioxide based solution (non silicone)
- 100m² coverage from 1000ml of product

6K

NEW!

Call for a demonstration and **FREE** sample pack

t: 00 800 0421 6144 | www.crl6k.co.uk

Call FREE on 00 800 0421 6144
Fax FREE on 00 800 0262 3299



Manchester

Charles Babbage Avenue
Kingsway Business Park,
Rochdale, OL16 4NW, England
Tel: +44 (0) 1706 863 600
Fax: +44 (0) 1706 869 860
www.crlaurence.co.uk



Stuttgart

Boschstrasse 7
D-74360 Ilsfeld
Germany
Tel: +49 (0) 7062 915 93 15
Fax: +49 (0) 7062 915 93 16
www.crlaurence.de



Copenhagen

Stamholmen 70 Unit B,
DK-2650 Hvidovre
Denmark
Tel: +45 36 72 09 00
Fax: +45 36 70 33 35
www.crlaurence.dk



France

Boschstrasse 7
D-74360 Ilsfeld
Germany
Tel: +49 (0) 7062 915 93 15
Fax: +49 (0) 7062 915 93 16
www.crlaurence.fr



View Our Full Range of
Architectural Railing Systems...

Our EUHR11 Architectural Balustrade and Railing
Systems Catalogue

- Glass Railings/Balustrades
- TAPER-LOC® Railing System
- Swinging Gate Systems
- Post Railing Systems
- Welded Railing Systems
- Hand Railing Systems
- Aluminium Railing Systems
- Glass Walls/Windcreens
- Tools/Accessories

You may also be interested in...

EUAH11 Architectural Hardware
'All Glass' Entrance Systems Catalogue

- Architectural Metals
- Door and Sidelite Rails
- Door Closers
- Centre Locks
- Glass Clamps
- Headers and Channels
- Ladder Pulls
- Locking Hardware
- Door Closers and Hinges
- Patch Hardware
- Pivot Door Systems
- Push/Pull Handles
- Sliding and Stacking Glass Door Systems
- Spider Fittings
- Standoff Systems

Catalogues are available to download
or view online at crlaurence.co.uk
or crlaurence.de