

glass

PRODUCT SHOWCASE

New and popular products at discount prices

Tools and supplies for the glass shop

SUMMER AND AUTUMN '15

Glass and Glazing Supplies

Shower Hardware

Installation Tools

Railing Hardware

EVERYDAY ITEMS FROM CRL



FROM ONLY **£27.50**

FROM ONLY **£16.00** PER PACK



FROM ONLY **£1.79**



FROM ONLY **£3.79**

FROM ONLY **£1.65**



FROM ONLY **£3.59**



NEW!

FROM ONLY **£10.75**



FROM ONLY **£2.35** PER 100



2%

OFF YOUR TOTAL ORDER WHEN YOU ORDER OVER £250 ONLINE AT crlaurence.co.uk



ORDER TODAY FROM THE GLOBAL MARKET LEADER

Call **FREE** from the **UK and Ireland** on **00 800 0421 6144**





Your CRL UK Contacts



SIMON BOOCOCK
Managing Director



RICHARD LAKE
UK Sales Manager
richard_lake@crlaurence.co.uk



RICHARD WESLEY
Internal Sales Manager
richard_wesley@crlaurence.co.uk



PETER CASEY
Technical Sales Manager
peter_casey@crlaurence.co.uk



CHRIS PEPPER
Marketing & Business
Development Manager
chris_pepper@crlaurence.co.uk



STEVEN GREGORY
Technical Sales
steven_gregory@crlaurence.co.uk



EMMA MANSFIELD
Technical Sales
emma_mansfield@crlaurence.co.uk



STEVE BYROM
Technical Sales
steve_byrom@crlaurence.co.uk



MARK TEASDALE
Technical Sales
mark_teadale@crlaurence.co.uk



STEPHEN BRAME
Internal Sales
stephen_brame@crlaurence.co.uk



LYNDESEY PERRINS
Internal Sales
lyndsey_perrins@crlaurence.co.uk



GEMMA HOWARTH
Internal Sales
gemma_howarth@crlaurence.co.uk



LISA ZEBICHE
Marketing Co-ordinator
lisa_zebiche@crlaurence.co.uk



“We have
the world’s
largest supply
of glazing
accessories”



Contents

Glass and Glazing Tools and Supplies

- 4-7 Glass Cutting
- 7 Glazier’s Pliers
- 8 Protective Gloves and Arm Guards
- 9 Measuring Tools
- 10-11 Belt Sander and Abrasives
- 11 Cordless Diamond Glass Saw
- 11 Scratch Polisher
- 12-14 Vacuum Lifters and Frames
- 15 Glass Transport and Handling
- 16-17 Sealants and Dispensing Tools
- 18-19 Glazing and Utility Knives
- 20 Razor Blades and Holders
- 21 Glass Setting and Framing Tools
- 22 Glazing Blocks
- 23 Glass Protection Supplies

Mirror and Shower Essentials

- 25 Mirror Mastics and Adhesives
- 25-27 Mirror Fixing Hardware
- 26 Aluminium J-Bar
- 26-27 Adhesive Tapes
- 28-29 Glass Cleaning and Protection
- 30-31 Aluminium U-Channel
- 32 Frameless Shower Hinges
- 33 Frameless Shower Knobs and Pulls
- 34-35 Frameless Shower Support Bars
- 36-37 Shower Door Wipes and Seals
- 38-40 Glass Shelf and Cabinet Hardware
- 41-42 Shower Enclosure Kits

Glass Railing Hardware

- 44-45 TAPER-LOC® Glass Railing System
- 46-48 Glass Clamps

Commercial Hardware

- 49-51 Glass Wall Partition Hardware
- 52-54 All-Glass Entrance Door Hardware

Glass and Glazing Tools and Supplies

CRL TOYO® SUPERCUTTER® STRAIGHT HEAD OIL CUTTER

- Equipped with new TOYO® patented Tap Wheel technology
- Precise grinding technology improves cutting
- Cemented carbide wheel and axle gives improved cutting life
- Brass or plastic straight end handles
- 140 degree hone angle

FROM ONLY
£10.75*



SAVE
20%



CAT. NO.	DESCRIPTION	1	6	12
TC17VVB	Brass Handle	£13.45	£12.85	£11.00
TC17VVP	Plastic Handle	£13.10	£12.50	£10.75

* Minimum order: 1 each. Price based on an order quantity of 12 each (CAT. NO. TC17VVP). Price includes 20% discount. Special discount available from 15th August to 31st December 2015. Supercutter® and Tap Heads are not interchangeable. Oil type glass cutters can be combined for quantity pricing.

EVEN MORE GREAT PRODUCTS
VISIT crlaurence.co.uk
and view CAT. NO. GG2014A



2% OFF YOUR TOTAL ORDER WHEN YOU ORDER OVER £250 ONLINE AT CRLAURENCE.CO.UK



Glass and Glazing Tools and Supplies

CRL TOYO® ORIGINAL SUPERCUTTER®

- Premium quality
- Brass or plastic straight end handles
- 140 degree hone angle carbide wheels

FROM ONLY
£10.75*

World Famous
Best Seller



SAVE
20%

CAT. NO.	DESCRIPTION	1	6	12
TC17B	Brass Handle	£13.45	£12.85	£11.00
TC17P	Plastic Handle	£13.10	£12.50	£10.75

*Minimum order: 1 each. Price based on an order quantity of 12 (CAT. NO. TC17P). Price includes 20% discount. Special discount available from 15th August to 31st December 2015.

CRL TOYO® SUPERCUTTER® STRAIGHT HEAD OIL CUTTER

- Equipped with TOYO® patented Tap Wheel™ technology
- Precise grinding technology improves cutting
- Cemented carbide wheel and axle gives improved cutting life
- Brass or plastic straight end handles
- 140 degree hone angle wheels

FROM ONLY
£10.75*



SAVE
20%

CAT. NO.	DESCRIPTION	1	6	12
TC17VVB	Brass Handle	£13.45	£12.85	£11.00
TC17VVP	Plastic Handle	£13.10	£12.50	£10.75

*Minimum order: 1 each. Price based on an order quantity of 12 (CAT. NO. TC17VVP). Price includes 20% discount. Special discount available from 15th August to 31st December 2015.

CRL TOYO® SUPERCUTTER® REPLACEMENT 140 DEGREE STRAIGHT CUTTING HEAD FOR TC17B OR TC17P

- Quality cutting head engineered for long service life
- Fits original, comfort-grip, and Thomas-grip SUPERCUTTERS®
- Narrow head also available at crlaurence.co.uk

FROM ONLY
£7.15*



SAVE
20%

CAT. NO.	DESCRIPTION	1	6	12
TC17H	Replacement Cutting Head - Wide	£8.75	£8.35	£7.15

*Minimum order: 1 each. Price based on an order quantity of 12. Price includes 20% discount. Special discount available from 15th August to 31st December 2015.

CRL TOYO® SUPERCUTTER® REPLACEMENT 140 DEGREE STRAIGHT CUTTING HEAD FOR TC17VVB OR TC17VVP

- Equipped with TOYO® patented Tap Wheel™ technology
- Precise grinding technology improves cutting
- Cemented carbide wheel and axle gives improved cutting life

FROM ONLY
£7.15*



SAVE
20%

CAT. NO.	DESCRIPTION	1	6	12
TC17VH	Replacement Cutting Head - Wide	£8.75	£8.35	£7.15

*Minimum order: 1 each. Price based on an order quantity of 12. Price includes 20% discount. Special discount available from 15th August to 31st December 2015.



CRL TOYO® TAP WHEEL™ THICK GLASS SUPERCUTTER®

- Standard wide head or optional pattern head
- Pistol grip
- Smooth cutting action for glass up to 19mm thick
- Automatic self-oiling action

SAVE 20%

FROM ONLY **£13.85***

For Cutting 8-19mm Glass



CAT. NO. TC600HPV CAT. NO. TC600HSV

CAT. NO.	DESCRIPTION	1	6	12
TC600SVB	Thick Glass Supercutter Cutter-Wide	£16.95	£16.15	£13.85
TC600HPV	Replacement Head	£13.40	£12.80	£11.00
TC600HSV	Wide Replacement Head	£13.40	£12.80	£11.00

*Minimum order: 1 each. Price based on an order quantity of 12 (CAT.NO. TC600SVB). Price includes 20% discount. Special discount available from 15th August to 31st December 2015.

CRL HEAVY-DUTY 6 WHEEL GLASS CUTTER

- Best selling glass cutter in Europe
- Popular 6 wheel design for extended use life

FROM ONLY **£58.50***

For Cutting 3-10mm Glass



CAT. NO.	DESCRIPTION	1	6	12	60
G100	6 Wheel Glass Cutter	£68.95	£64.35	£61.25	£58.50

*Minimum order: 1 each. Price based on an order quantity of 60.

CRL PRECISION CIRCLE CUTTER

- Our most popular circle cutter
- Precision action 6-wheel turret
- Vacuum cup base
- Larger models for diameters up to 1981mm available online at crlaurence.co.uk

FROM ONLY **£36.25***



CAT. NO.	DESCRIPTION	1
511CC	63.5mm to 610mm	£36.25
512CC	63.5mm to 813mm	£39.95

*Minimum order: 1 each. Price based on an order quantity of 1 (CAT. NO. 511CC).

CRL EVAPORATING VAPOURMAX 53 CUTTING FLUID

- Fast evaporating cutting fluid for flat, soft-coated, automotive and mirrored glass
- For 2 to 15mm thick glass and mirror
- Residue free finish
- Recommended for low-e

FROM ONLY **£7.30***



CAT. NO.	CONTENTS	1
EUW9531L	1 Litre	£7.30
EUW9535L	5 Litres	£26.00
EUW95325L	25 Litres	£110.50

*Minimum order: 1 each. Price based on an order quantity of 1 (CAT. NO. EUW9531L).

CRL ROUND EDGE TEMPLATE GUIDE

- Make consistent radius corners easier than ever
- Choose from 12 radii (10mm to 70mm)
- Solid plastic construction makes it economical and unbreakable
- Features four slip-resistant pads to keep the template in place during use and to reduce the risk of scratching the glass

FROM ONLY **£11.30***



CAT. NO.	DESCRIPTION	1
RET12	Round Edge Template Guide	£11.30

*Minimum order: 1 each. Price based on an order quantity of 1.

CRL L-SQUARE

- Sturdy, durable and accurate
- Made to exacting specifications to ensure a right angle time after time
- Upright Thickness: 4mm
- Upright Width: 65mm

FROM ONLY **£17.85***



CAT. NO.	DESCRIPTION	1	10
M00555	1100mm L-Square	£21.50	£17.85
M00556	1310mm L-Square	£26.85	£22.25
M00557	1560mm L-Square	£34.85	£28.95

*Minimum order: 1 each. Price based on an order quantity of 10 (CAT. NO. M00555).

CRL DROP JAW GLASS BREAKING PLIERS

- Excellent forged steel pliers for glass up to 12mm thick
- One of the most popular glass tools
- Drop jaw design for superior leverage
- 216mm overall length

FROM ONLY **£14.25***



CAT. NO.	DESCRIPTION	1	5
RD1932	Drop Jaw Glass Break Pliers	£14.95	£14.25

*Minimum order: 1 each. Price based on an order quantity of 5.

CRL FLARED JAW GLASS PLIERS

- 15mm (maximum) jaw opening
- 26mm flared jaw
- Smooth grip
- 210mm overall length
- Precision machined tips

FROM ONLY **£14.25***

Best Seller



CAT. NO.	DESCRIPTION	1	5
RD1935	Flared Jaw Glass Pliers	£14.95	£14.25

*Minimum order: 1 each. Price based on an order quantity of 5.

CRL CUT RESISTANT LEVEL 5 WRIST GUARDS

- Our best value wrist guard
- Ambidextrous - can be worn on either arm
- Velcro fastening
- Durable and comfortable
- BS EN 388 X-5-X-3
- Sold by the pair

SAVE 10%

CAT. NO.	LENGTH	1	12	24
0601	152 mm	£12.15	£10.55	£10.00
06012	203 mm	£13.55	£11.75	£11.15

*Minimum order: 1 pair. Price based on an order quantity of 24 (CAT. NO. 0601). Price includes 10% discount. Special discount available from 15th August to 31st December 2015.

FROM ONLY **£10.00*** PER PAIR

BSEN388 rated
Great Value



CRL CUT-RESISTANT POWERFLEX+ KEVLAR® GLOVES

- Excellent cut resistance and grip
- Protects against cuts, punctures, and slashes
- Cut Level 5
- Tested EN388 4544
- Sold by the pair

CAT. NO.	SIZE	1	20
0625	Small	£9.95	£8.85
0626	Medium	£9.95	£8.85
0627	Large	£9.95	£8.85

*Minimum order: 1 pair. Price based on an order quantity of 20 pairs (CAT. NO. 0625). Price includes 10% discount. Special discount available from 15th August to 31st December 2015.

FROM ONLY **£8.85*** PER PAIR

BSEN388 rated

SAVE 10%



CRL CUT-RESISTANT KEVLAR® GLOVES

- Cut Level 5
- Tested EN388 4544
- Sold by the Pair
- Come in three sizes

CAT. NO.	SIZE	1	20
0625A	Small	£7.60	£6.10
0626A	Medium	£7.60	£6.10
0627A	Large	£7.60	£6.10

*Minimum order: 1 pair. Price based on an order quantity of 20 pairs (CAT. NO. 0625A). Price includes 10% discount. Special discount available from 15th August to 31st December 2015.

SAVE 10%

FROM ONLY **£6.10*** PER PAIR

BSEN388 rated



CRL ATLAS® CUT-RESISTANT KEVLAR® GLOVES

- Ergonomic fit as well as an outstanding grip
- The perfect glove for glass fabricators
- ANSI cut resistance: 3
- Comes in three sizes

CAT. NO.	SIZE	1
300KVM	Medium	£6.65
300KVL	Large	£6.65
300KVXL	Extra Large	£6.65

*Minimum order: 1 pair. Price based on an order quantity of 1 pair (CAT. NO. 300KVM). Price includes 10% discount. Special discount available from 15th August to 31st December 2015.

SAVE 10%

FROM ONLY **£6.65*** PER PAIR



2% OFF YOUR TOTAL ORDER WHEN YOU ORDER OVER £250 ONLINE AT CRLAURENCE.CO.UK



CRL TAPE MEASURES

- Accurate measurements in centimeters
- Professional quality
- Positive lock button

CAT. NO.	LENGTH	WIDTH	1	6	10	20
130583	3 metres	20mm	£2.50	-	£2.25	£2.00
54819	5 metres	19mm	£7.10	£6.50	-	-
SBM5	5 metres	32mm	£16.75	-	-	-

*Minimum order: 1 each. Price based on an order quantity of 20 (CAT. NO. 130583)

FROM ONLY **£2.00***



CRL FLEXIMETER

- For easy measuring of all types of door and window units
- Includes protective drawstring bag
- Sturdy metal construction

CAT. NO.	DESCRIPTION	1	6
0471A	Fleximeter	£32.75	£27.25

*Minimum order: 1 each. Price based on an order quantity of 6.

FROM ONLY **£27.25***

Best Seller



CRL GLASS THICKNESS METRIC LASER

- Measures thickness of air space in sealed insulating glass units and overall unit thickness
- Measures from inside of the building – no glass removal is necessary
- Uses laser technology for exact measurements
- Calculates thicknesses of insulating, laminated, bullet resistant, and single lite float glass

CAT. NO.	DESCRIPTION	1
MG1500MM	Glass Thickness Metric Laser	£228.50

FROM ONLY **£228.50**



CRL GLASS-CHEK ELITE

- Identifies laminated glass in a window
- Measures the thickness of the laminate inner-layer
- Graphical display shows profile of window
- Can identify piece of glass with Low-e coating

CAT. NO.	DESCRIPTION	1	4
GC3200	Glass-Chek Elite	£964.50	£921.75

*Minimum order quantity: 1 each. Price based on an order quantity of 4.

FROM ONLY **£921.75***



CRL MAKITA® 29MM X 533MM BELT SANDER 240V

- Extremely popular portable sander for sanding notches and cut-outs
- Side handle for easy manoeuvrability • Compact and lightweight

CAT. NO.	DESCRIPTION	1
EU9031M	Belt Sander	£235.95

*Minimum order: 1 each. Price based on an order quantity of 1. Price includes 5% discount. Special discount available from 15th August to 31st December 2015.

FROM ONLY
£235.95*

SAVE 5%



CRL 29MM X 533MM GLASS GRINDING BELTS FOR PORTABLE SANDERS

- Designed for use with the CRL EU9031M sander
- 29 x 533 mm
- Fast grinding 100% polyester backed belts for notches and cut-outs
- Belts in 12 grits from 40X to CORK
- Sold by the box

CAT. NO.	DESCRIPTION	QTY/BOX	1	5	10	20
CRL118X2140X	40 Grit	10	£6.45	£5.75	£5.15	£4.85
CRL118X2160X	60 Grit	10	£5.90	£5.15	£4.75	£4.40
CRL118X2180X	80 Grit	10	£5.60	£4.95	£4.55	£4.25
CRL118X21120X	120 Grit	10	£5.50	£4.85	£4.40	£4.10
CRL118X21180X	180 Grit	10	£5.50	£4.85	£4.40	£4.10
CRL118X21220X	220 Grit	10	£5.50	£4.85	£4.40	£4.10
CRL118X21400X	400 Grit	10	£5.50	£4.85	£4.40	£4.10
CRL118X21CORK	Cork Polishing	5	£12.10	£11.05	£10.15	£9.35

*Minimum order: 1 box. Price based on an order quantity of 20 boxes (CAT. NO. CRL118X21120X). Price includes 15% discount. Special discount available from 15th August to 31st December 2015.

FROM ONLY
£4.10*
PER BOX

SAVE 15%



CRL 100MM X 1830MM ABRASIVE BELTS FOR BOHLE BELT MACHINES

- Top quality, long lasting • Polyester wet-dry backing
- Non-directional • Sold individually

CAT. NO.	DESCRIPTION	1	20
13317K	60 Grit	£8.95	£6.25
1317BK	80 Grit	£6.50	£4.70
1317DK	100 Grit	£6.50	£4.70
1317B05K	120 Grit	£6.50	£4.70
13320K	150 Grit	£8.10	£5.65
1317B1K	180 Grit	£6.50	£4.70
1317B3K	220 Grit	£6.50	£4.70
1317B2K	400 Grit	£6.50	£4.70
1317EK	Cork Polishing	£12.40	£8.65

*Minimum order: 1 each. Price based on an order quantity of 20 (CAT. NO. 1317BK). Price includes 10% discount. Special discount available from 15th August to 31st December 2015.

FROM ONLY
£4.70*
PER BELT

SAVE 10%



Grit Cork

CRL 100MM X 1800MM ABRASIVE BELTS FOR GLASMEK BELT MACHINE

- Top quality, long lasting • Polyester wet-dry backing
- Non-directional • Sold individually

CAT. NO.	DESCRIPTION	1	20
13309K	60 Grit	£8.80	£6.20
13310K	80 Grit	£8.25	£5.75
1327K	120 Grit	£5.40	£4.25
13143K	180 Grit	£7.90	£5.55
1317HK	220 Grit	£7.25	£5.10
1317AK	Cork Polishing	£12.45	£9.90

*Minimum order: 1 each. Price based on an order quantity of 20 (CAT. NO. 1327K). Price includes 10% discount. Special discount available from 15th August to 31st December 2015.

FROM ONLY
£4.25*
PER BELT

SAVE 10%



Grit Cork

2% OFF YOUR TOTAL ORDER WHEN YOU ORDER OVER £250 ONLINE AT CRLAURENCE.CO.UK



CRL DIAMOND HAND PADS

- Long-lasting diamond abrasive
- Works great on smooth or uneven surfaces
- Use wet or dry
- 57mm x 95mm pad size

CAT. NO.	DESCRIPTION	1
DHP60	Green 60X grit	£13.10
DHP120	Black 120X grit	£11.65
DHP220	Red 220X grit	£8.75
DHP400	Yellow 400X grit	£8.75
DHPSET	Set of above pads	£39.75

*Minimum order: 1 each. Price based on an order quantity of 1 (CAT. NO. DHP220).

FROM ONLY
£8.75*



Best Seller

CRL MAKITA® CORDLESS DIAMOND SAW 10.8V

- Complete with battery, battery charger, diamond saw blade and water feed bottle
- Recommended replacement blade: CRL CAT. NO. NS3B

CAT. NO.	DESCRIPTION	1
15605	Cordless diamond saw	£190.95

*Minimum order: 1 each. Price based on an order quantity of 1.

FROM ONLY
£190.95*



CRL METAL BOND DIAMOND GLASS CUTTING BLADE

- Produces a clean, chip-free cut in glass and mirror
- Perfect choice for cutting notches and straight lines
- Suitable for use with 15605 Diamond Saw
- 86mm diameter

CAT. NO.	DESCRIPTION	1
NS3B	Metal bond diamond glass cutting blade	£25.95

*Minimum order: 1 each. Price based on an order quantity of 1.

FROM ONLY
£25.95*



CRL HEAVY-DUTY SCRATCH POLISHERS

- Polishes all types of glass, from windshields to watch crystals
- Use it hand-held or bench mounted for added stability
- Powered by a heavy-duty, double-insulated motor
- Sure grip handles on each end of the tool assembly provide control
- Includes felt wheel (CAT. NO. 1322) and 1kg of Cerium Oxide (CAT.NO. 1222A)

CAT. NO.	DESCRIPTION	1
1520	230V Scratch Polisher	£601.95
1520A	110V Scratch Polisher	£601.95

*Minimum order: 1 each. Price based on an order quantity of 1 (CAT. NO. 1520). Price includes 10% discount. Special discount available from 15th August to 31st December 2015.

FROM ONLY
£601.95*



SAVE 10%



CRL S338 SURE-GRIP 203MM VACUUM LIFTER

- Greatest lifting capacity of any 203mm pump activated vacuum lifter
- One hand pump and attachment for safety when needed
- Superior "press-and-pump" attachment feature
- Built-in vacuum loss indicator
- Soft contoured sure-grip handle for comfort



FROM ONLY
£27.50*



112KG LIFTING CAPACITY
Safety factor 2:1

CAT. NO.	DESCRIPTION	1	4	10
S338	Vacuum Lifter	£29.50	£28.50	£27.50

*Minimum order: 1 each. Price based on an order quantity of 10.

2% OFF YOUR TOTAL ORDER WHEN YOU ORDER OVER £250 ONLINE AT CRLAURENCE.CO.UK



CRL S338 SURE-GRIP 203MM VACUUM LIFTER

- Greatest lifting capacity of any 203mm pump activated vacuum lifter
- One hand pump and attachment for safety when needed
- Superior "press-and-pump" attachment feature
- Built-in vacuum loss indicator
- Soft contoured sure-grip handle for comfort

CAT. NO.	DESCRIPTION	1	4	10
S338	Sure-Grip 203mm Vacuum Lifter	£29.50	£28.50	£27.50

*Minimum order: 1 each. Price based on an order quantity of 10.

FROM ONLY
£27.50*



CRL PUMP-ACTION VACUUM LIFTER FOR FLAT SURFACES

- Heavy-duty stainless steel handle
- Fast attachment on smooth, non-porous flat surfaces
- Can be re-pumped without losing remaining vacuum
- Tough ABS plunger with red-line indicator
- Full pad face contact when pumped reduces distortion
- Wide release valve lever with safety guard permits quick and complete release
- 57kg lifting capacity
- 203mm diameter pad

CAT. NO.	DESCRIPTION	1	4
S7950	203mm Pump-Action Vacuum Lifter	£43.50	£39.50

*Minimum order: 1 each. Price based on an order quantity of 4.

FROM ONLY
£39.50*



CRL PUMP-ACTION VACUUM LIFTER FOR CURVED GLASS

- Designed primarily for lifting curved architectural glass
- Excellent also for thin, flexible materials
- Red-line indicator warns user of any vacuum loss
- Moulded carrying case
- 56kg lifting capacity
- 203mm diameter pad

CAT. NO.	DESCRIPTION	1	4	10
S109	Pump-Action Vacuum Lifter	£35.00	£33.00	£31.00

*Minimum order: 1 each. Price based on an order quantity of 10.

FROM ONLY
£31.00*



CRL ALUMINIUM FRAME VACUUM LIFTERS

- Sturdily built traditional design aluminium frame
- Each suction pad operates separately
- 114mm diameter suction pads

SAVE 10%

FROM ONLY
£22.95*

CAT. NO.	DESCRIPTION	LIFTING CAPACITY	1	6
05061	1 Vacuum Pad	30kg	£25.75	£22.95
05062	2 Vacuum Pads	60kg	£28.95	£25.95
05063	3 Vacuum Pads	100kg	£33.50	£29.95

*Minimum order: 1 each. Price based on an order quantity of 6 (CAT. NO. 05061). Price includes 10% discount. Special discount available from 15th August to 31st December 2015.



CRL WOOD'S POWR-GRIP® ABS HANDLE VACUUM CUP

- Lightweight, heavy-duty ABS handle
- Check valve allows re-pumping without loss of remaining vacuum
- Release valve lever permits quick and complete release
- Fast attachment on smooth, non-porous flat surfaces
- Red-line indicator warns user of any vacuum loss
- Supplied with protective carrying case

CAT. NO.	DESCRIPTION	1	4	10
N4000	ABS Handle Vacuum Cup	£28.95	£26.95	£25.50

*Minimum order: 1 each. Price based on an order quantity of 10.

FROM ONLY
£25.50*



Wood's
Powr-Grip

CE

CRL WOOD'S POWR-GRIP® METAL HANDLE VACUUM CUP

- Durable metal handle
- Fast attachment on smooth, non-porous flat surfaces
- Red-line indicator warns user of any vacuum loss
- Check valve allows re-pumping without loss of remaining vacuum
- Release valve lever permits quick, complete release

CAT. NO.	DESCRIPTION	1	4	10
N4950	Metal Handle Vacuum Cup	£54.99	£52.79	£50.49

*Minimum order: 1 each. Price based on an order quantity of 10. Price includes 10% discount. Special discount available from 15th August to 31st December 2015.

FROM ONLY
£50.49*

SAVE
10%



Wood's
Powr-Grip

CE

CRL WOOD'S POWR-GRIP® SINGLE CHANNEL D.C. VACUUM LIFTING FRAME

- 320kg lifting capacity
- Four 280mm diameter lipped pads
- 180° edgewise rotation
- 90° tilt, vertical to flat
- 12V DC

Get specifications online at crlaurence.co.uk

CAT. NO.	DESCRIPTION	1
EUP11104DCO	Single Channel D.C. Vacuum Lifting Frame	£2139.00

*Minimum order: 1 each. Price based on an order quantity of 1. Price includes 10% discount. Special discount available from 15th August to 31st December 2015.

FROM ONLY
£2139.00*

SAVE
10%



Wood's
Powr-Grip

CE

CRL WOOD'S POWR-GRIP® D.C. TILT ROTATOR VACUUM LIFTING FRAMES

- Cord-free operation with on-board gel cell battery
- 280mm diameter lipped pads
- Multiple configurations all from the same unit
- Full 360° rotation with tilt from any position
- 12V DC

Get specifications online at crlaurence.co.uk

CAT. NO.	DESCRIPTION	1
EUMRT411LDC	D.C. Manual Rotator/Tilter - 4 pads	£2889.00
EUMRTA611LDC	D.C. Quadra Tilt Rotator 1100 Series - 6 pads	£3639.00

*Minimum order: 1 each. Price based on an order quantity of 1 (CAT. NO. EUMRT411LDC). Price includes 10% discount. Special discount available from 15th August to 30th September 2015.

FROM ONLY
£2889.00*

SAVE
10%



Wood's
Powr-Grip

CE

Ask about our annual service for lifting frames

2% OFF YOUR TOTAL ORDER WHEN YOU ORDER OVER £250 ONLINE AT CRLAURENCE.CO.UK



CRL RATCHET TENSIONING KIT WITH TWO VACUUM LIFTERS

- Pulls with tremendous force
- Ideal for countertops, marble, granite, flooring, mirrors and glass
- Comes with two 203mm vacuum lifters
- Uses S108 vacuum lifter mounting points
- Carrying capacity is 147kg

CAT. NO.	DESCRIPTION	1
G0284	Ratchet Tensioning Kit	£108.25

*Minimum order: 1 each. Price based on an order quantity of 1.

FROM ONLY
£108.25*



CRL GLASSTRAX GLASS DOLLY

- Safe glass transport with large 272kg capacity
- Self clamping action locks loads up to 50.8mm thick
- One person can load and manoeuvre

CAT. NO.	DESCRIPTION	1	4
GT02	Glass Dolly	£325.00	£280.00

*Minimum order: 1 each. Price based on an order quantity of 4. Price includes 10% discount. Special discount available from 15th August to 31st December 2015.

FROM ONLY
£280.00*

SAVE
10%



VIEW A DEMO

Best Seller

CRL ALL TERRAIN DOLLY

- Exclusive to CRL
- Terrific for moving heavy glass panels around the job site
- Goes where other glass dollies won't
- Built-in 203mm Wood's Powr-Grip® Vacuum Cup
- Includes a set of our RB200 Roller Blocks
- 181kg load capacity

CAT. NO.	DESCRIPTION	1
ATD1	All Terrain Dolly	£415.00

*Minimum order: 1 each. Price based on an order quantity of 1.

FROM ONLY
£415.00*



Included

CRL ROLLER BLOCKS

- Roller design lets you rotate heavy glass panels with ease
- Turn them over to use as resting blocks
- Rubber base ensures traction

CAT. NO.	DESCRIPTION	1
RB200	Roller Blocks	£38.25

*Minimum order: 1 each. Price based on an order quantity of 1.

FROM ONLY
£38.25*



CRL NEUTRAL CURE LOW MODULUS SILICONE

- Low odour, neutral cure formula
- Compatible with insulating glass glazing
- Excellent adhesion to most surfaces
- Low modulus
- 300ml cartridge
- 12 per case
- Special countertop display box
- Conforms to ISO 11600

CAT. NO.	COLOUR	1	12	120	240
EURTV408C	Clear	£1.95	£1.75	£1.70	£1.65
EURTV408W	White	£1.95	£1.75	£1.70	£1.65
EURTV408BL	Black	£1.95	£1.75	£1.70	£1.65
EURTV408G	Grey	£1.95	£1.75	£1.70	£1.65
EURTV408BR	Brown	£1.95	£1.75	£1.70	£1.65

*Minimum order: 1 each. Price based on an order quantity of 240 (CAT. NO. EURTV408C).

FROM ONLY
£1.65*



CONSTRUCTION SEALANT

CRL CRYSTAL CLEAR SILICONE

- High clarity when cured
- Applications include shower enclosures and speciality glass assemblies
- 310ml cartridge
- 12 per case
- Special countertop display box

CAT. NO.	COLOUR	1	12	120	240
EUCCS	Crystal Clear	£2.05	£1.89	£1.84	£1.79

*Minimum order: 1 each. Price based on an order quantity of 240. Price includes 10% discount. Special discount available from 15th August to 31st December 2015.

FROM ONLY
£1.79*

SAVE
10%



CRL SHOWER SEALANT

- Acetic cure formula
- Plastic cartridges with screw-on nozzles
- High modulus
- 300ml cartridge
- 12 per case
- Special countertop display box

CAT. NO.	COLOUR	1	12	120	240
EU33SC	Clear	£1.50	£1.34	£1.29	£1.24
EU33SW	White	£1.50	£1.34	£1.29	£1.24
EU33SBL	Black	£1.50	£1.34	£1.29	£1.24

*Minimum order: 1 each. Price based on an order quantity of 240 (CAT. NO. EU33SC). Price includes 10% discount. Special discount available from 15th August to 31st December 2015.

FROM ONLY
£1.24*

SAVE
10%



CRL COATED GLASS SEALANTS

- High quality, professional and universal paintable sealant
- Used for the sealing of connecting joints and glazing systems
- Resistant to weather, UV, water, and fungus
- Conforms with Pilkington Activ and Saint Gobain Bio Clean
- 290 ml cartridge
- 12 per case

CAT. NO.	COLOUR	1	12	120	240
EUCGSBL	Black	£4.05	£3.77	£3.68	£3.59
EUCGSBR	Brown	£4.05	£3.77	£3.68	£3.59
EUCGSG	Grey	£4.05	£3.77	£3.68	£3.59
EUCGSW	White	£4.05	£3.77	£3.68	£3.59

*Minimum order: 1 each. Price based on an order quantity of 240 (CAT. NO. EUCGSBL). Price includes 10% discount. Special discount available from 15th August to 31st December 2015.

FROM ONLY
£3.59*

SAVE
10%



2% OFF YOUR TOTAL ORDER WHEN YOU ORDER OVER £250 ONLINE AT CRLAURENCE.CO.UK



CRL STANDARD SMOOTH ROD CAULKING GUN

- Our best seller is also a great value
- Thumb pressure release button
- Perfect for low viscosity materials

MORE
OPTIONS
AVAILABLE
ONLINE

CAT. NO.	DESCRIPTION	1	12
ER3	Standard Smooth Rod Caulking Gun	£2.50	£2.25

*Minimum order: 1 each. Price based on an order quantity of 12.

FROM ONLY
£2.25*



CRL 12:1 RATIO STRAP FRAME CAULKING GUN

- Holds standard caulking cartridges
- Best choice for low to medium viscosity materials
- Instant pressure release to prevent run-on

MORE
OPTIONS
AVAILABLE
ONLINE

CAT. NO.	DESCRIPTION	1	12
GA1203	12:1 Ratio Strap Frame Caulking Gun	£12.90	£11.90

*Minimum order: 1 each. Price based on an order quantity of 12.

FROM ONLY
£11.90*



CRL E.Z.D. GLAZER DE-GLAZING TOOL

- Aids in the de-glazing of glass installed with silicone, foam tapes, butyl tapes, and other flexible materials
- Blade lays flat on the glass and slides into the glazing pocket
- Extremely simple-to-use

CAT. NO.	DESCRIPTION	1	6
EZ1010	E.Z.D. Glazer De-Glazing Tool	£39.95	£36.95
EZ1022	Replacement Blade	£17.95	-

*Minimum order: 1 each. Price based on an order quantity of 16 (CAT. NO. EZ1010).

FROM ONLY
£36.95*



CRL STRIP REMOVAL TOOL

- Comfortable leather handle
- 80mm wide blade
- 2.4 mm thick
- Ideal for removing strips of wood from a glazed unit or window

CAT. NO.	DESCRIPTION	1
23412	Strip Removal Tool	£7.49

*Minimum order: 1 each. Price based on an order quantity of 1.

FROM ONLY
£7.49*



CRL SCRAPE 'N' PRY BAR

- Multi-purpose tool made of hardened, tempered steel
- Chisel ground edges
- Length: 254mm
- Width: 44.5mm

CAT. NO.	DESCRIPTION	1	6
4050	Scrape 'N' Pry Bar	£5.19	£4.79

*Minimum order: 1 each. Price based on an order quantity of 6.

FROM ONLY
£4.79*



CRL 8-IN-1 PAINTER'S TOOL

- Multi purpose tool
- Comfort grip handle
- Overall length: 232mm
- Blade width: 76mm

CAT. NO.	DESCRIPTION	1	6
HW048	8-in-1 Painter's Tool	£4.59	£3.39

*Minimum order: 1 each. Price based on an order quantity of 6.

FROM ONLY
£3.39*



CRL LEAD PUTTY KNIFE

- Made in Germany
- Genuine Don Carlos brand
- Forged steel blade
- 210mm long

CAT. NO.	DESCRIPTION	1
23618	Lead Putty Knife	£6.09

*Minimum order: 1 each. Price based on an order quantity of 1.

FROM ONLY
£6.09*

Best Seller



CRL STIFF PUTTY KNIFE

- High quality putty knife
- Blade length: 110mm
- Width: 26mm

CAT. NO.	DESCRIPTION	1
0702	Stiff Putty Knife	£10.50

*Minimum order: 1 each. Price based on an order quantity of 1.

FROM ONLY
£10.50*



2% OFF YOUR TOTAL ORDER WHEN YOU ORDER OVER £250 ONLINE AT CRLAURENCE.CO.UK



CRL OLFA® HEAVY-DUTY RETRACTABLE BLADE KNIFE

- All-Purpose knife with comfortable rubber grip
- Locking thumb screw to adjust blade length
- Uses replacement blades LB10B, LB50B, and LS0L

CAT. NO.	DESCRIPTION	1	6
L2K	Heavy-Duty Retractable Blade Knife	£5.90	£5.40

*Minimum order: 1 each. Price based on an order quantity of 6.

FROM ONLY
£5.40*



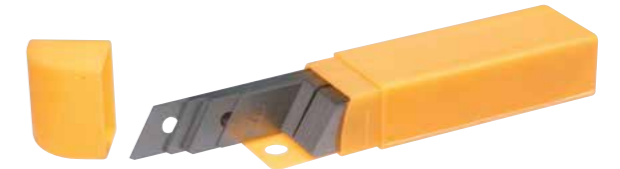
CRL REPLACEMENT BREAKAWAY BLADES

- Fits CRL Olfa® heavy-duty retractable blade knife L2K
- Width : 18mm
- 50 per pack

CAT. NO.	DESCRIPTION	1	6
LB50B	Replacement Breakaway Blades	£8.40	£7.95

*Minimum order: 1 pack. Price based on an order quantity of 6 packs.

FROM ONLY
£7.95*
PER PACK



CRL AUTOLOADING UTILITY KNIFE

- Easy, quick blade replacement
- Ergonomically designed handle for comfort and control
- Comes with five blades

CAT. NO.	DESCRIPTION	1	6
K82	Autoloading Utility Knife	£5.85	£4.95

*Minimum order: 1 each. Price based on an order quantity of 6.

FROM ONLY
£4.95*



CRL HEAVY-DUTY UTILITY KNIFE BLADES

- Our best selling utility blades
- Heavy-duty 0.6mm thickness
- Handy slide-out dispenser of 100
- Ideal for use with CAT. NO. K82 Knife

CAT. NO.	DESCRIPTION	1
1992C	Heavy-duty Utility Knife Blades	£8.15

*Minimum order: 1 box. Price based on an order quantity of 1 box.

FROM ONLY
£8.15*
PER BOX



CRL RAZOR BLADE HOLDER AND SCRAPER

- Safely holds single edge metal razor blades
- Comfortable handle for a sure grip
- Compatible with 51S and KKB12 razor blades

FROM ONLY
£4.95*

Best Seller



CAT. NO.	DESCRIPTION	1
RS65	Razor Blade Holder and Scraper	£4.95

*Minimum order: 1 each. Price based on an order quantity of 1.

CRL SINGLE EDGE RAZOR BLADES

- Our most popular single edge blade
- Precision honed, surgical steel edges
- Individually wrapped to protect the edge
- Multiple uses
- 100 per box

FROM ONLY
£2.35*
PER HUNDRED



PRICES PER BOX OF 100 BLADES

CAT. NO.	DESCRIPTION	100	500	1000	5000	10000
51S	Single Edge Razor Blades	£2.90	£2.75	£2.60	£2.50	£2.35
KKB12	Heavy-Duty Razor Blades	£3.70	£3.40	£3.25	£3.15	-

*Minimum order: 100 each. Price based on an order quantity of 10,000 (CAT. NO. 51S).

CRL RAZOR BLADE HOLDER AND WINDOW SCRAPER

- Safely holds all single edge metal razor blades
- Simple thumb slide to safely conceal blade when not in use
- Compatible with our CAT. NO.'s 51S and 1409 single edge razor blades

FROM ONLY
£1.05*



CAT. NO.	DESCRIPTION	1	12	36
3223	Razor Blade Holder and Window Scraper	£1.25	£1.15	£1.05

*Minimum order: 1 each. Price based on an order quantity of 36.

CRL SINGLE EDGE RAZOR BLADES

- Deliver durability along with an exact quality cut
- Each blade is individually wrapped to protect the edge until you are ready to use
- 100 per box
- Compatible with our CAT. NO. 3223 holder and scraper

FROM ONLY
£4.45*
PER HUNDRED



PRICES PER BOX OF 100 BLADES

CAT. NO.	DESCRIPTION	100	500	1000	5000	10000
1409	Single Edge Razor Blades	£5.45	£5.20	£4.95	£4.70	£4.45

*Minimum order: 100 each. Price based on an order quantity of 10,000.

2% OFF YOUR TOTAL ORDER WHEN YOU ORDER OVER £250 ONLINE AT CRLAURENCE.CO.UK



CRL FLETCHER FRAMEMASTER® POINT DRIVER

- Quick loading reversible point magazine
- Uses 9.5mm or 16mm points
- Adjustable strike force

FROM ONLY
£63.95*

CAT. NO. FM075

CAT. NO.'s
FT898 and FT895



• Available in two sizes

CAT. NO.	DESCRIPTION	POINTS/PK	1	10
FM075	FrameMaster® Point Driver	-	£63.95	-
FT898	FrameMaster® Points 9.5m	5,000	£14.65	£12.25
FT895	FrameMaster® Points 16mm	3,000	£13.15	£11.75

*Minimum order: 1 each. Price based on an order quantity of 1 (CAT. NO. FM075).

CRL LIGHTWEIGHT GLAZIER'S HAMMER

- Ideal for glazing and picture framing
- 295mm laquered ashwood handle
- Forged steel hardened and fully polished head with stabilizing supports
- Overall Length: 310mm

FROM ONLY
£23.45*



CAT. NO.	DESCRIPTION	1	5
0220	Glazier's Hammer	£25.55	£23.45

*Minimum order: 1 each. Price based on an order quantity of 5.

CRL PLATE GLASS LIFTING TOOL

- For lifting and setting plate glass
- Helps prevent lifting related injuries
- Aids in storefront window installation
- Width: 273mm

FROM ONLY
£5.45*



CAT. NO.	DESCRIPTION	1
PGL11	Plate Glass Lifting Tool	£5.45

*Minimum order: 1 each. Price based on an order quantity of 1.

CRL BLOCK LEVERS

- Handy tool for all glazing jobs
- Choose either the all wood or the strong wooden handle with hard-wearing plastic head block lever

FROM ONLY
£1.30*



CAT. NO. 0736

CAT. NO. 0735

CAT. NO.	DESCRIPTION	1	10
0735	Plastic Head Block Lever	£3.20	£2.50
0736	All Wood Block Lever	£1.40	£1.30

*Minimum order: 1 each. Price based on an order quantity of 10 (CAT. NO. 0736).

CRL STANDARD VINYL ROLLER TOOL

- Ideal for inserting all types of flat spline and roll-in gaskets
- Made from solid aluminium with a hard coat anodised finish
- Knurl diamond grip and a ball bearing wheel

CAT. NO.	LENGTH	1	6
VR04	279 mm	£7.10	£6.45

*Minimum order: 1 each. Price based on an order quantity of 6.

FROM ONLY
£6.45*



CRL PLASTIC GLAZING BLOCKS

- Colour coded for easy selection by size
- Polypropylene material is extremely durable
- 1000 of one size per box

CAT. NO.	SIZE	COLOUR	1	3	5
KK201	100 x 20 x 1mm	White	£16.50	£15.50	£14.25
KK202	100 x 20 x 2mm	Blue	£20.25	£19.10	£17.50
KK203	100 x 20 x 3mm	Red	£21.65	£20.40	£18.75
KK204	100 x 20 x 4mm	Yellow	£24.30	£22.90	£21.05

KK221	100 x 22 x 1mm	White	£18.10	£17.05	£15.65
KK222	100 x 22 x 2mm	Blue	£20.25	£19.10	£17.50
KK223	100 x 22 x 3mm	Red	£22.15	£20.90	£19.20
KK224	100 x 22 x 4mm	Yellow	£25.95	£24.45	£22.45

KK241	100 x 24 x 1mm	White	£20.25	£19.10	£17.50
KK242	100 x 24 x 2mm	Blue	£22.15	£20.90	£19.20
KK243	100 x 24 x 3mm	Red	£23.80	£22.40	£20.60
KK244	100 x 24 x 4mm	Yellow	£28.40	£26.75	£24.55

*Minimum order quantity: 1 box. Price based on an order quantity of 1 box (CAT. NO. KK201).

FROM ONLY
£14.25*
PER BOX OF 1,000



CRL WOOD GLAZING BLOCKS

- Colour coded for easy selection by size
- Multi-purpose glazing blocks made of impregnated wood
- 100 per package

CAT. NO.	SIZE	COLOUR	1
KH202	80 x 20 x 2 mm	Red	£1.75
KH203	80 x 20 x 3 mm	Green	£1.90
KH204	80 x 20 x 4 mm	Yellow	£2.30
KH205	80 x 20 x 5 mm	Blue	£2.65
KH206	80 x 20 x 6 mm	Black	£2.90

*Minimum order quantity: 1 pack. Price based on an order quantity of 1 pack (CAT. NO. KH202).

FROM ONLY
£1.75*
PER PACK OF 100



2% OFF YOUR TOTAL ORDER WHEN YOU ORDER OVER £250 ONLINE AT CRLAURENCE.CO.UK



CRL BLUE TRANSPORT PADS

- Medium density
- Low-tack, pressure sensitive adhesive
- Leaves no adhesive residue or ghosting marks

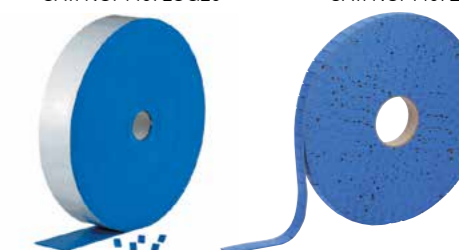
SAVE
10%

FROM ONLY
£4.65*
PER ROLL

Best seller

CAT. NO. 1407LOG20

CAT. NO. 1407E



CAT. NO.	SIZE	QUANTITY	1	5
1407E	23 x 18 x 4 mm	1,000 pads per roll	£4.95	£4.65
1407LOG20	24 x 19 x 4 mm	20,000 pads per roll	£83.25	£78.50

*Minimum order quantity: 1 roll. Price based on an order quantity of 5 rolls (CAT. NO. 1407E). Price includes 10% discount. Special discount available from 15th August to 31st December 2015.

CRL CLEAR PROTECTIVE BUMPADS

- Use on cabinet doors, desk tops, and glass table tops
- Also available in brown and white
- Protect glass tops from scratching
- Simply peel and stick
- Bottom diameter 12.7mm; top diameter: 11.1mm; height: 3.2mm

FROM ONLY
£7.55*
PER PACK

Multi-usage



CAT. NO.	QUANTITY	1	3
CB1PK200	200 per pack	£7.55	-
CB1PK	1000 per pack	£32.95	£29.75

*Minimum order: 1 pack. Price based on an order quantity of 1 pack (CAT. NO. CB1PK200).

CRL VITROBOR SURFACE PROTECTION FILM

- 40 micron green film
- Adhesive free
- No residue
- Static hold
- Prevents scratches
- Tested to BS2782

FROM ONLY
£78.70*
PER ROLL

SAVE
10%



CAT. NO.	ROLL SIZE	1	10
21112G	600mm x 920m	£88.50	£78.70
21113G	1000mm x 920m	£147.55	£131.15
21114G	1200mm x 920m	£177.05	£157.40
21115G	1500mm x 920m	£221.30	£196.75
21120G	1800mm x 920m	£267.35	£238.25
21121G	2100mm x 920m	£294.40	£261.75

*Minimum order quantity: 1 roll. Price based on an order quantity of 10 rolls (CAT. NO. 21112G). Price includes 10% discount. Special discount available from 15th August to 31st December 2015.

CRL CORNER PROTECTORS

- Designed to protect glass and mirror edges during shipping, handling or storing
- Will not scratch or damage glass or mirror surfaces, and help protect large cut-offs from breakage or becoming scrap
- Protectors are reusable, they simply slide on and off
- 250 per pack

FROM ONLY
£16.00*
PER PACK



CAT. NO.	GLASS THICKNESS	1
1464004B	4mm	£17.65
1464006B	6mm	£16.00
1464008B	8mm	£18.55
1464010B	10mm	£20.70

*Minimum order: 1 pack. Price based on an order quantity of 1 pack.

Mirror and Shower Essentials

CREATE THE PERFECT SHOWER ROOM

CRL, the world's largest supplier of frameless shower products



See the full range

Get your Shower Door Hardware brochure today

CAT. NO. SDH12UK

2% OFF YOUR TOTAL ORDER WHEN YOU ORDER OVER £250 ONLINE AT CRLAURENCE.CO.UK



Mirror and Shower Essentials

Best seller

CRL eg310 evergrip™ MIRROR ADHESIVE

FROM ONLY **£1.79***

- Extra fast grab mirror adhesive
- Extra strong holding capacity
- Fast curing, with skin formation in about five minutes
- Adhesion to almost all surfaces
- Low VOC, solvent free, low odour
- 310ml cartridge



SAVE 10%

CAT. NO.	DESCRIPTION	12	60	120	240
EG310	Mirror Adhesive	£2.09	£1.99	£1.89	£1.79

*Minimum order: 12 each. Price based on an order quantity of 240 each. Price includes 10% discount. Special discount available from 15th August to 31st December 2015.

CRL eg310ULTRA COMPLETE ADHESIVE

SAVE 10%

HIGH PERFORMANCE GRIP AND GRAB ADHESIVE

- MS polymer based
- Neutral curing and odourless
- Cures with atmospheric moisture
- Super-fast bonding of mirrors, glass, wood, composite panels, and metal, to a range of substrates
- Free of silicone and isocyanides
- 290ml cartridge



MULTI PURPOSE ADHESIVE

CAT. NO.	DESCRIPTION	12	60	120	240
EG310ULTRA	Complete Adhesive	£4.49	£4.19	£3.99	£3.79

*Minimum order: 12 each. Price based on an order quantity of 240 each. Price includes 10% discount. Special discount available from 15th August to 31st December 2015.

CRL E-Z MOUNT MIRROR CLIP SET

FROM ONLY **£1.15***

- Our best-selling mirror clip sets are the fast and secure way to hang mirrors
- For 4mm and 6mm glass
- Made of nickel plated steel
- Upper clips - have unique, spring loaded flanges. You just expand these clips during installation, it's quick and easy!
- Lower clips - always remain stationary and have a 7.9mm channel space. These clips are not spring-loaded, and are designed to carry the mirror's weight



CAT. NO.	DESCRIPTION	1	3	5	10	20	50	100	250	1000
655	Set of 4 Clips	£1.55	-	-	-	-	£1.45	£1.35	£1.25	£1.15
50655B	Bulk carton of 50	55.85	51.92	49.37	46.77	43.35	-	-	-	-

*Minimum order: 1 set. Price based on an order quantity of 1000 sets (CAT. NO. 655).

CRL HEATED MIRROR PADS

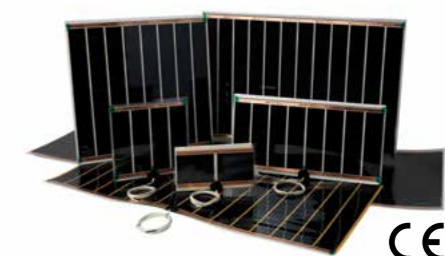
FROM ONLY **£14.60***

High Performance

- Prevents mirror misting
- Simple installation
- Applied to back of mirror
- Made in Europe
- 240 Volts

CAT. NO.	SIZE	1	10	100
7020MP	584mm x 274mm	£18.25	£15.65	£14.60
7030MP	524mm x 520mm	£25.75	£22.15	£20.65
7035MP	785mm x 524mm	£31.95	£27.35	£25.50
7040MP	1040mm x 524mm	£38.85	£33.35	£31.10
7050MP	1505mm x 524mm	£56.65	£48.60	£45.40

*Minimum order: 1 each. Price based on an order quantity of 100 (CAT. NO. 7020MP).



CRL EM SERIES MIRROR MOUNTING SET

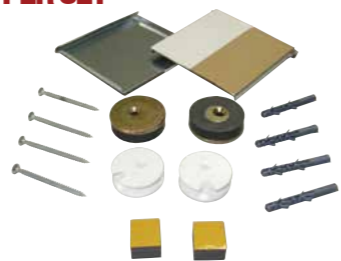
- Magnet mirror mounting set including eccentric discs, mirror-adhesive magnets, mirror plates, self-adhesive pads, screws, and wall plugs
- Easy installation
- Fixings hidden from sight
- Suitable for mirror surfaces up to 0.8m², 1.6m², and 2.6m²
- Suitable for wet rooms

Each set includes: P19EM08/P19EM16: 2 each eccentric discs, 2 each mirror-adhesive magnets, 2 each mirror plates. P19EM26: 3 each eccentric discs, 2 each mirror-adhesive magnets, 3 each mirror plates.

CAT. NO.	DESCRIPTION	1	24	48
P19EM08	0.8m² Mirror Surface	£5.05	£4.55	£3.50
P19EM16	1.6m² Mirror Surface	£5.50	£4.90	£3.75
P19EM26	2.6m² Mirror Surface	£7.05	£6.35	£4.85

*Minimum order: 1 set. Price based on an order quantity of 48 sets (CAT. NO. P19EM08). Price includes 10% discount. Special discount available from 15th August to 31st December 2015.

FROM ONLY
£3.50*
PER SET



SAVE
10%

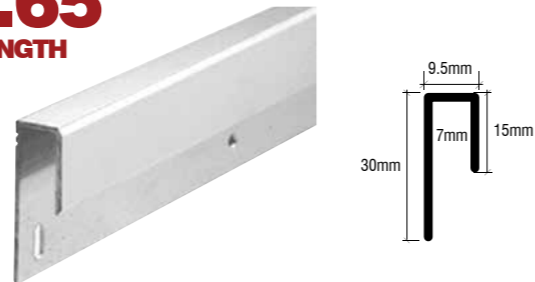
CRL DEEP NOSE ALUMINIUM J-BAR FOR MIRROR

- Punched and slotted for easier installation
- 3.66m stock lengths
- 40 per case

CAT. NO.	FINISH	1	10	40	80	120
D645BA	Brite Anodised	£15.05	£13.35	£12.05	£10.90	£9.95
D645A	Satin Anodised	£9.95	£8.85	£7.95	£7.25	£6.65
D645BN	Brushed Nickel	£21.50	£19.20	£17.30	£15.70	£14.40

*Minimum order: 1 each. Price based on an order quantity of 120 (CAT. NO. D645A).

FROM ONLY
£6.65*
PER LENGTH



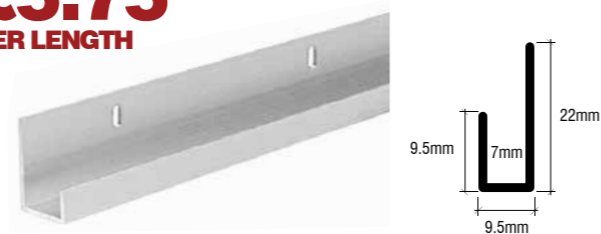
CRL STANDARD ALUMINIUM J-BAR FOR MIRROR

- Punched and slotted for easier installation
- 3.66m stock lengths
- 50 per case

CAT. NO.	FINISH	1	10	50	100	150
D636BA	Brite Anodised	£12.95	£11.50	£10.35	£9.40	£8.70
D636A	Satin Anodised	£8.50	£7.55	£6.85	£6.20	£5.75
D636BN	Brushed Nickel	£17.95	£15.95	£14.40	£13.05	£11.95

*Minimum order: 1 each. Price based on an order quantity of 150 (CAT. NO. D636A).

FROM ONLY
£5.75*
PER LENGTH



CRL ALL-PURPOSE FOAM MOUNTING TAPE

- Highly adhesive and flexible
- Conforms to a wide variety of surfaces
- Just peel and apply
- Excellent for mirrors, glass, metals, plastics and other surfaces
- Ideal for use in combination with mirror adhesive

FROM ONLY
£3.15*
PER ROLL

PRICES PER ROLL

CAT. NO.	LENGTH	WIDTH	THICKNESS	ROLLS / CASE	1	16	23	80	115
CRL211612	33m	12.5m	1.6mm	23	£5.45	-	£4.85	-	£4.65
CRL211634	33m	19m	1.6mm	16	£6.95	£6.25	-	£5.95	-
CRL210812	15m	12.5m	3mm	23	£3.65	-	£3.25	-	£3.15
CRL210834	15m	19m	3mm	16	£5.00	£4.50	-	£4.35	-

*Minimum order: 1 case. Price based on an order quantity of 5 cases (CAT. NO. CRL210812).



2% OFF YOUR TOTAL ORDER WHEN YOU ORDER OVER £250 ONLINE AT CRLAURENCE.CO.UK



CRL TRANSPARENT ACRYLIC HI-BOND ADHESIVE TAPE

- Speciality tape for the fabrication of shower enclosures
- Excellent for use with clear polycarbonates, seals, and wipes
- Instant pressure sensitive bonding; full strength in 72 hours

FROM ONLY
£5.50*
PER ROLL



CAT. NO.	THICKNESS	WIDTH	LENGTH	ROLLS / CASE	1	36
AT0201436	0.5 mm	12 mm	11 m	36	£6.00	£5.50
AT0401436	1 mm	12 mm	11 m	36	£6.45	£5.90

*Minimum order: 1 roll. Price based on an order quantity of 36 rolls (CAT. NO. AT0201436).

CRL ROUND MIRROR CLIP SET

- 19mm diameter clips for use with 6mm mirror
- Supplied with No. 8 X 32mm flat head wood screws and plastic anchors
- 4 clips per set

FROM ONLY
£5.65*
PER SET



CAT. NO.	FINISH	1	12	24
MC02CH	Chrome	£6.95	£6.25	£5.65
MC02BN	Brushed Nickel	£6.95	£6.25	£5.65

*Minimum order: 1 set. Price based on an order quantity of 24 sets (CAT. NO. MC02CH).

CRL ALUMINIUM TAPE WITH LINER

- Protects the back of the mirror against moisture ingress
- 600mm x 45m

FROM ONLY
£26.30*
PER ROLL



SAVE
10%

CAT. NO.	DESCRIPTION	1	10	25
2108600	Aluminium Tape with Liner	£44.15	£33.95	£26.30
2108600A	Premium Aluminium Tape with Liner	£64.45	£49.54	£39.39

*Minimum order: 1 roll. Price based on an order quantity of 25 rolls (CAT. NO. 2108600). Price includes 10% discount. Special discount available from 15th August to 31st December 2015.

CRL MIRABAC POLYPROPYLENE MIRROR BACKING

- Keeps glass fragments together should mirror accidentally break
- Ready to use and easy-to-apply
- Tested to BS EN 12600
- 60 Micron

FROM ONLY
£7.95*
PER ROLL

SAVE
10%

CAT. NO.	LENGTH	WIDTH	1	10	20
21051A	200 mm	100 m	£15.45	£11.75	£7.95
21051	300 mm	100 m	£23.10	£17.60	£11.95
21052	450 mm	100 m	£34.25	£26.10	£17.65
21053	604 mm	100 m	£46.30	£35.25	£23.90
21056A	770 mm	250 m	£144.25	£109.95	£74.45
21058B	650 mm	250 m	£124.20	£94.65	£64.15
21058A	914 mm	250 m	£172.15	£131.20	£88.85
21060A	1220 mm	250 m	£233.00	£177.50	£120.25

*Minimum order: 1 roll. Price based on an order quantity of 20 rolls (CAT. NO. 21051A). Price includes 10% discount. Special discount available from 15th August to 31st December 2015.



CRL Chrome Deluxe Shower Squeegee
CAT. NO. 17600
£12.95



CRL GLASS AND MIRROR CLEANER

- A long time favourite of the glass industry
- Ammoniated formula with a pleasant aroma
- Twelve big 660ml cans per case

FROM ONLY
£1.65*
PER CAN

SAVE
10%



Private label available

CAT. NO.	CONTENTS	12	60	144
EB1701	660ml can	£2.10	£1.85	£1.65

*Minimum order: 1 can. Price based on an order quantity of 144 can. Price includes 10% discount. Special discount available from 15th August to 31st December 2015.

CRL MICRO FIBRE WIPES

- Streak free cleaning on windows and mirrors
- Washable up to 500 times
- 406mm x 406mm size
- Packed two per poly bag with a hanger hook so you can also offer them for resale to your customers

FROM ONLY
£3.05*
PER PACK



CAT. NO.	DESCRIPTION	1	5	10
MFW2	Micro Fibre Wipes	£3.45	£3.20	£3.05

*Minimum order: 1 pack. Price based on an order quantity of 10.

CRL TPC SURFACE PROTECTOR

- Transparent polymer coating
- Water, soil, and stain repellent
- Protects glass and many other surfaces
- Clear coating guards against the adhesion and build-up of dirt, grime, mould, mildew, rust and mineral deposits
- Suitable for clear and sandblasted glass surfaces

FROM ONLY
£5.60*



CAT. NO.	CONTENTS	1	12
TPC16	475ml bottle	£6.10	£5.60
TPC5GL	18.93 litre tub	£175.00	-

*Minimum order: 1 bottle. Price based on an order quantity of 12 bottles (CAT. NO. TPC16). NOTE: Will call trade counter pick-up only for TPC5GL.

CRL INVISIBLE SHIELD GLASS SURFACE SEALER

- Seals, polishes and protects glass
- Keeps surfaces like new
- Prevents build up of soap scum and hard water stains
- Suitable for clear and sandblasted glass surfaces

FROM ONLY
£19.05*



To pre-clean the glass before applying the sealer, please order CAT. NO. 17230

CAT. NO.	SIZE	1	10
17200	1 Litre	£22.50	£19.05

*Minimum order: 1 each. Price based on an order quantity of 10

2% OFF YOUR TOTAL ORDER WHEN YOU ORDER OVER £250 ONLINE AT CRLAURENCE.CO.UK



CRL 6K HYDROPHOBIC SURFACE PROTECTION SYSTEM FOR GLASS AND STAINLESS STEEL

FROM ONLY
£4.65*

Own Label Version Available

- Stage one - Pre-clean
- Thoroughly cleans glass or stainless steel ready for the protection stage
- Ideal for shower screens and glass railings
- Dries streak-free
- Conforms to EN 45001

CAT. NO.	SIZE	1	6
PC6010	100ml	£5.65	£4.65
PC6025	250ml	£10.45	£8.70
PC6050	500ml	£14.65	£12.15
PC6100	1 Litre	£22.10	£18.50

*Minimum order: 1 bottle. Price based on an order quantity of 6 bottles (CAT. NO. PC6010).



STAGE ONE
PRE-CLEAN

CRL 6K HYDROPHOBIC SURFACE PROTECTION SYSTEM FOR GLASS AND STAINLESS STEEL

FROM ONLY
£13.65*

Own Label Version Available

- Stage two - Protect
- 3 year protection lifespan
- Protects glass or stainless steel
- Ideal for shower screens and glass railings
- Nano-technology
- Long lasting - wide coverage
- Conforms to EN 45001

CAT. NO.	SIZE	1	6
6K6010	100ml	£15.40	£13.65
6K6025	250ml	£30.50	£25.50
6K6050	500ml	£54.80	£45.65
6K6100	1 Litre	£102.40	£85.50

*Minimum order: 1 bottle. Price based on an order quantity of 6 bottles (CAT. NO. 6K6010).



STAGE TWO
PROTECT

CRL 6K HYDROPHOBIC SURFACE PROTECTION SYSTEM CLOTHS

FROM ONLY
£1.10*

- To be used with CRL6K Pre-clean and Protect products

CAT. NO.	COLOUR	FOR USE WITH	1	10	50
PCCLOTH	Red	Pre-clean	£1.30	£1.20	£1.10
6KCLOTH	Blue	Protect	£1.30	£1.20	£1.10

*Minimum order: 1 each. Price based on an order quantity of 50 (CAT. NO. PCCLOTH).



CRL AFTERCARE GLASS CLEANER

FROM ONLY
£4.50*

Recommended for use with 6K

- Non-silicone based glass cleaner
- Leaves glass clear and smear-free
- Ideal for shower screens

CAT. NO.	CONTENTS	1	6
AC6050	500ml	£5.40	£4.50

*Minimum order: 1 bottle. Price based on an order quantity of 6 bottles.



CRL ALUMINIUM U-CHANNEL FOR 10 TO 12MM GLASS

- Wet glaze with clear silicone to secure glass
- Available in several finishes
- 2mm wall thickness
- Sold per 3 metre length

FROM ONLY **£8.50***

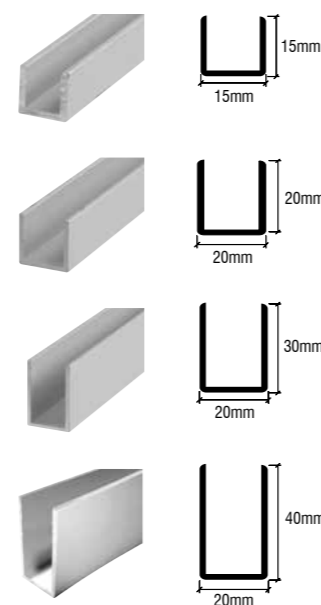
CAT. NO.	FINISH	SIZE	1	10	20
SDCD1515A	Satin Anodised	15mm x 15mm x 15mm	£11.00	£9.20	£8.50
SDCD1515CH	Chrome Plated	15mm x 15mm x 15mm	£35.30	£29.45	£27.15
SDCD1515BN	Brushed Nickel	15mm x 15mm x 15mm	£23.60	£19.70	£18.15

SDCD2020A	Satin Anodised	20mm x 20mm x 20mm	£12.35	£10.35	£9.55
SDCD2020CH	Chrome Plated	20mm x 20mm x 20mm	£44.25	£36.90	£34.05
SDCD2020BN	Brushed Nickel	20mm x 20mm x 20mm	£28.30	£23.60	£21.75

SDCD3020A	Satin Anodised	30mm x 20mm x 30mm	£16.90	£14.10	£13.00
SDCD3020CH	Chrome Plated	30mm x 20mm x 30mm	£73.85	£61.55	£56.85
SDCD3020BN	Brushed Nickel	30mm x 20mm x 30mm	£38.05	£31.70	£29.30

SDCD4020A	Satin Anodised	40mm x 20mm x 40mm	£23.55	£19.60	£18.10
SDCD4020CH	Chrome Plated	40mm x 20mm x 40mm	£71.80	£59.90	£55.25
SDCD4020BN	Brushed Nickel	40mm x 20mm x 40mm	£53.15	£44.30	£40.90

*Minimum order: 1 each. Price based on an order quantity of 20 (CAT. NO. SDCD1515A). Price includes 10% discount. Special discount available from 15th August to 31st December 2015.



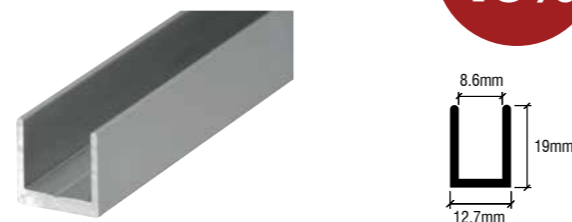
CRL ALUMINIUM U-CHANNEL FOR 6 TO 8MM GLASS

- Available in 2.49m lengths
- Wet glaze with clear silicone
- Extremely versatile extrusions in up to eight popular finishes - see crlaurence.co.uk

FROM ONLY **£5.75***

CAT. NO.	FINISH	1	10	40	80	120
SDCD516BA	Brite Anodised	£8.30	£7.50	£6.80	£6.25	£5.75
SDCD516BN	Brushed Nickel	£8.55	£7.70	£6.95	£6.40	£5.95

*Minimum order: 1 each. Price based on an order quantity of 120 (CAT. NO. SDCD516BA). Price includes 10% discount. Special discount available from 15th August to 31st December 2015.



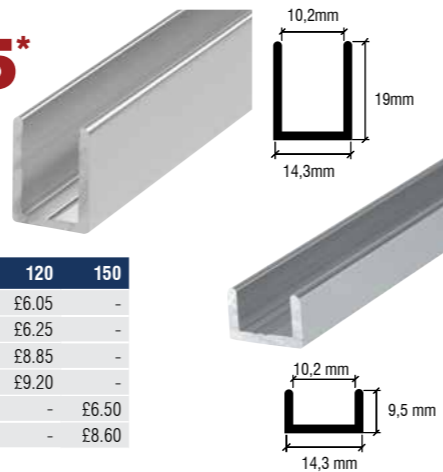
CRL ALUMINIUM U-CHANNEL FOR 8 TO 10MM GLASS

- May be used alone or with regular depth U-Channel
- Wet glazed with clear silicone to secure glass
- Available in 2.49m and 3.65m stock lengths
- Available in up to 17 finishes - see crlaurence.co.uk

FROM ONLY **£6.05***

CAT. NO.	FINISH	LENGTH	DEPTH	1	10	40	50	80	100	120	150
SDCD38BA	Brite Anodised	2.49m	19mm	£8.70	£7.85	£7.15	-	£6.50	-	£6.05	-
SDCD38BN	Brushed Nickel	2.49m	19mm	£9.05	£8.10	£7.40	-	£6.75	-	£6.25	-
SDCD3812BA	Brite Anodised	3.65m	19mm	£12.80	£11.50	£10.50	-	£9.60	-	£8.85	-
SDCD3812BN	Brushed Nickel	3.65m	19mm	£13.25	£11.95	£10.85	-	£9.95	-	£9.20	-
SDCR38BA	Brite Anodised	2.49m	9.5mm	£9.75	£8.65	-	£7.80	-	£7.10	-	£6.50
SDCR38BN	Brushed Nickel	2.49m	9.5mm	£12.90	£11.45	-	£10.30	-	£9.35	-	£8.60

*Minimum order: 1 each. Price based on an order quantity of 120 (CAT. NO. SDCD38BA). Price includes 10% discount. Special discount available from 15th August to 31st December 2015.



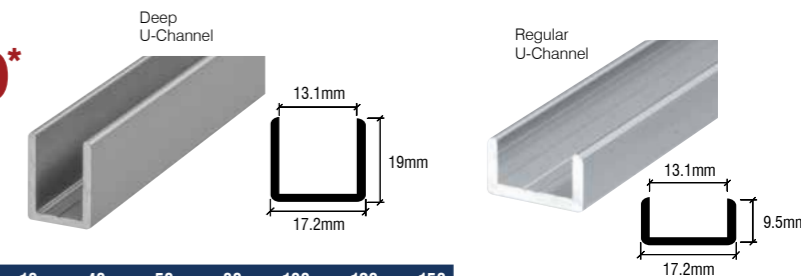
2% OFF YOUR TOTAL ORDER WHEN YOU ORDER OVER £250 ONLINE AT CRLAURENCE.CO.UK



CRL ALUMINIUM U-CHANNEL FOR 12 MM GLASS

FROM ONLY **£6.40***

- Deep-channel may be used alone or with regular depth u-channel
- Wet glazed with clear silicone to secure fixed panels of glass
- Lower profile allows maximum glass exposure



CAT. NO.	FINISH	LENGTH	DEPTH	1	10	40	50	80	100	120	150
SDCD12BA	Brite Anodised	2.49m	19mm	£9.25	£8.35	£7.55	-	£6.90	-	£6.40	-
SDCD12BN	Brushed Nickel	2.49m	19mm	£9.55	£8.60	£7.80	-	£7.15	-	£6.60	-
SDCD1212BA	Brite Anodised	3.65m	19mm	£13.60	£12.20	£11.10	-	£10.20	-	£9.40	-
SDCD1212BN	Brushed Nickel	3.65m	19mm	£14.05	£12.65	£11.45	-	£10.55	-	£9.70	-
SDCR12BA	Brite Anodised	2.49m	9.5mm	£10.10	£9.00	-	£8.10	-	£7.40	-	£6.75
SDCR12BN	Brushed Nickel	2.49m	9.5mm	£13.25	£11.75	-	£10.60	-	£9.65	-	£8.85

*Minimum order: 1 each. Price based on an order quantity of 120 (CAT. NO. SDCD12BA). Price includes 10% discount. Special discount available from 15th August to 31st December 2015.



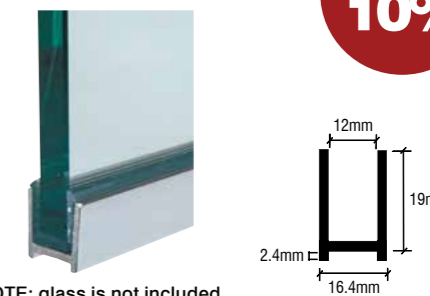
CRL DRY GLAZE U-CHANNEL WITH VINYL FOR 8 AND 10MM GLASS

- Clear vinyls secure glass in channel and eliminate the need for messy silicone
- Recess in bottom channel hides caulk line
- DUC38 can be used with 8mm glass where RV8DUC rigid vinyl is used (available separately)
- Individually packaged • 2.49m length

FROM ONLY **£10.95***

CAT. NO.	FINISH	GLASS THICKNESS	LENGTH	1	10	50
DUC516BA	Brite Anodised	8mm	2.49 m	£14.15	£13.20	£11.95
DUC516BN	Brushed Nickel	8mm	2.49 m	£16.10	£14.65	£13.45
DUC38BA	Brite Anodised	10mm	2.49 m	£13.45	£12.10	£10.95
DUC38BN	Brushed Nickel	10mm	2.49 m	£15.05	£13.70	£12.55

*Minimum order: 1 each. Price based on an order quantity of 50 (CAT. NO. DUC38BA). Price includes 10% discount. Special discount available from 15th August to 31st December 2015.



NOTE: glass is not included



CRL END CAPS FOR DEEP AND DRY GLAZE U-CHANNEL

- Covers open end of SDCD12 and SDCD1212 series u-channel
- Easily applied with a dab of silicone sealant
- Caps are also available for 10mm regular or dry glaze u-channel

CAT. NO.	FINISH	FOR USE WITH	10	60
SDCEC12CH	Chrome	SDCD12BA/SDCD1212BA	£1.40	£1.25
SDCEC12BN	Brushed Nickel	SDCD12BN/SDCD1212BN	£1.40	£1.25

*Minimum order: 1 each. Price based on an order quantity of 60 (CAT. NO. SDCEC12CH).



FROM ONLY **£1.25***

AVAILABLE IN A LARGE RANGE OF STANDARD FINISHES

U-CHANNEL AND ACCESSORIES ARE AVAILABLE IN A LARGE RANGE OF STANDARD FINISHES

CRL CLEAR PLASTIC SETTING BLOCKS

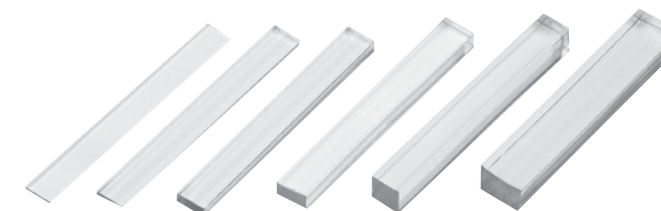
- Barely visible blocks are great for use in shower installations
- 80±5 durometer hardness
- Widely used in frameless shower installations

CAT. NO.	THICKNESS	WIDTH	LENGTH	PRICES PER 100 BLOCKS		
				100	500	1000
PSB040	1mm	6mm	50mm	£3.50	£3.20	£3.05
PSB080	2mm	6mm	50mm	£3.90	£3.60	£3.40
PSB125	3mm	6mm	50mm	£4.15	£3.80	£3.65
PSB156	4mm	6mm	50mm	£4.85	£4.45	£4.25
PSB250	6mm	6mm	50mm	£7.25	£6.65	£6.40
PSB375	10 mm	6mm	50mm	£12.00	£11.00	£10.40

*Minimum order: 100 blocks. Price based on an order quantity of 1000 blocks (CAT. NO. PSB040).

FROM ONLY **£3.05*** PER 100 BLOCKS

Best Seller



CRL CHROME GENEVA SERIES SHOWER HINGES

- Our most popular hinge series
- Self-centering with reversible 5 degree pivot pin
- For 8, 10 or 12mm monolithic toughened glass

For more details, visit crlaurence.co.uk

CAT. NO.	MODEL	1	16
GEN037CH	Wall Mount Full Back Plate Hinge	£18.55	£16.95
GEN044CH	Wall Mount Offset Back Plate Hinge	£18.55	£16.95
GEN180CH	180 Degree Glass-to-Glass Hinge	£25.15	£22.85
GEN092CH	90 Degree Glass-to-Glass Hinge	£29.60	£26.90

*Minimum order: 1 each. Price based on an order quantity of 16 (CAT. NO. GEN037CH). Price includes 10% discount. Special discount available from 15th August to 31st December 2015.

FROM ONLY
£16.95*



SAVE
10%

CE

3
YEAR
WARRANTY

CAT. NO.
GEN044CH

CRL CHROME GENEVA SERIES ADJUSTABLE SHOWER HINGES

- Ideal for use when door does not meet wall or adjoining glass panel at standard angle
- Allows adjustability up to 90 degrees from standard closing position
- For 8, 10 or 12mm monolithic toughened glass

For details please visit crlaurence.co.uk

CAT. NO.	MODEL	1	16
GEN337CH	Adjustable Wall Mount Full Back Plate Hinge	£21.60	£19.65
GEN344CH	Adjustable Wall Mount Offset Back Plate Hinge	£21.60	£19.65
GEN380CH	Adjustable 180 Degree Glass-to-Glass Hinge	£32.60	£29.65

*Minimum order: 1 each. Price based on an order quantity of 16 (CAT. NO. GEN337CH). Price includes 10% discount. Special discount available from 15th August to 31st December 2015.

FROM ONLY
£19.65*



SAVE
10%

CE

3
YEAR
WARRANTY

CAT. NO.
GEN344CH

CRL CHROME PINNACLE SERIES SHOWER HINGES

- Radius corners and beveled edges for an attractive, modern appeal
- Self-centering with reversible 5 degree pivot pin
- For 8, 10 or 12mm monolithic toughened glass

For details please visit crlaurence.co.uk

CAT. NO.	MODEL	1	16
P1N037CH	Wall Mount Full Back Plate Hinge	£20.50	£18.65
P1N044CH	Wall Mount Offset Back Plate Hinge	£20.50	£18.65
P1N180CH	180 Degree Glass-to-Glass Hinge	£28.70	£26.10
P1N092CH	90 Degree Glass-to-Glass Hinge	£42.15	£38.35

*Minimum order: 1 each. Price based on an order quantity of 16 (CAT. NO. P1N037CH). Price includes 10% discount. Special discount available from 15th August to 31st December 2015.

FROM ONLY
£18.65*



SAVE
10%

CE

3
YEAR
WARRANTY

CAT. NO.
P1N044CH

CRL CHROME PINNACLE SERIES ADJUSTABLE SHOWER HINGES

- Ideal for use when door does not meet wall or adjoining glass panel at standard angle
- Allows adjustability up to 90 degrees from standard closing position
- For 8, 10 or 12 mm monolithic toughened glass

For details please visit crlaurence.co.uk

CAT. NO.	MODEL	1	16
P1N337CH	Adjustable Wall Mount Full Back Plate Hinge	£23.45	£21.30
P1N344CH	Adjustable Wall Mount Offset Back Plate Hinge	£23.45	£21.30
P1N380CH	Adjustable 180 Degree Glass-to-Glass Hinge	£37.20	£33.85

*Minimum order: 1 each. Price based on an order quantity of 16 (CAT. NO. P1N337CH). Price includes 10% discount. Special discount available from 15th August to 31st December 2015.

FROM ONLY
£21.30*



SAVE
10%

CE

3
YEAR
WARRANTY

CAT. NO.
P1N344CH

AVAILABLE IN A LARGE RANGE OF STANDARD FINISHES

2% OFF YOUR TOTAL ORDER WHEN YOU ORDER OVER £250 ONLINE AT CRLAURENCE.CO.UK



CRL BACK-TO-BACK EURO STYLE KNOBS

- Available in solid brass or plated aluminium
- For EUSKD1 series: 10mm hole required
- For EUSKD2 series: 12mm hole required
- For 6 to 12mm glass

CAT. NO.	FINISH	SIZE	MATERIAL	1	10	50
EUSDK1CH	Chrome	30 x 30mm	Solid brass	£8.50	£7.65	£6.05
EUSDK1BN	Brushed nickel	30 x 30mm	Solid brass	£8.50	£7.65	£6.05
EUSDK2CH	Chrome	30 x 30mm	Plated aluminium	£4.50	£4.20	£3.35
EUSDK2BN	Brushed nickel	30 x 30mm	Plated aluminium	£4.50	£4.20	£3.35

*Minimum order: 1 each. Price based on an order quantity of 50 (CAT. NO. EUSDK2CH).

FROM ONLY
£3.35*



CRL BACK-TO-BACK SQUARE STYLE KNOBS

- Square shape to match configuration of Geneva, Vienna, Concord, Cardiff, and other square cornered CRL hinges
- Attractive ribbed appearance
- Use monolithic toughened glass
- 12mm hole required

CAT. NO.	FINISH	SIZE	MATERIAL	1	10	50
SDK160CH	Chrome	30 x 30mm	Solid brass	£13.85	£12.30	£11.10
SDK160BN	Brushed nickel	30 x 30mm	Solid brass	£13.85	£12.30	£11.10

*Minimum order: 1 each. Price based on an order quantity of 50 (CAT. NO. SDK160CH).

FROM ONLY
£11.10*



CRL BM SERIES TUBULAR BACK-TO-BACK PULL HANDLES

- Decorative metal washers also serve to cover any hole defects in glass
- Heavy 19mm diameter tubular construction (1.5mm thick)
- Use 6 to 12mm monolithic toughened glass
- 12mm holes required

CAT. NO.	FINISH	SIZE	MATERIAL	1	10	50
BM6X6CH	Chrome	152 mm	Brass tubing	£13.45	£12.10	£11.00
BM6X6BN	Brushed nickel	152 mm	Brass tubing	£13.45	£12.10	£11.00
BM8X8CH	Chrome	203 mm	Brass tubing	£15.10	£13.60	£12.35
BM8X8BN	Brushed nickel	203 mm	Brass tubing	£15.10	£13.60	£12.35

*Minimum order: 1 each. Price based on an order quantity of 50 (CAT. NO. BM6X6CH).

FROM ONLY
£11.00*



CRL SQ SERIES SQUARE TUBE BACK-TO-BACK PULL HANDLES

- Square corners make this handle the ideal choice to match square cornered hinges
- Use 6 to 12mm monolithic toughened glass
- 12mm holes required

CAT. NO.	FINISH	SIZE	MATERIAL	1	10	50
SQ6X6CH	Chrome	152 mm	Brass tubing	£26.35	£23.75	£21.55
SQ6X6BN	Brushed nickel	152 mm	Brass tubing	£26.35	£23.75	£21.55
SQ8X8CH	Chrome	203 mm	Brass tubing	£28.85	£26.00	£23.65
SQ8X8BN	Brushed nickel	203 mm	Brass tubing	£28.85	£26.00	£23.65

*Minimum order: 1 each. Price based on an order quantity of 50 (CAT. NO. SQ6X6CH).

FROM ONLY
£21.55*



CRL FRAMELESS SHOWER DOOR FIXED PANEL WALL-TO-GLASS SUPPORT BAR

- For 6mm to 8mm glass
- May be used as an alternative to CRL header kits to secure fixed panels and provide safety
- Provides fixed panel support for enclosures not going to ceiling
- Simply cut to size to accommodate individual configurations
- No hole drilling required in the glass

CAT. NO.	MOUNTING	FINISH	LENGTH	1	5
SUP06CH	Wall to glass	Chrome	1m	£35.15	£31.80
SUP06BN	Wall to glass	Brushed nickel	1m	£39.80	£36.20

*Minimum order: 1 each. Price based on an order quantity of 5 (CAT. NO. SUP06CH). Price includes 10% discount. Special discount available from 15th August to 31st December 2015.

FROM ONLY **£31.80***



SAVE 10%

CRL FRAMELESS SHOWER DOOR FIXED PANEL GLASS-TO-GLASS SUPPORT BAR

- For 6mm to 8mm glass
- May be used as an alternative to CRL header kits to secure fixed panels and provide safety
- Provides fixed panel support for enclosures not going to ceiling
- Simply cut to size to accommodate individual configurations
- No hole drilling required in the glass

CAT. NO.	MOUNTING	FINISH	LENGTH	1	5
SUP26CH	Glass to glass	Chrome	1m	£48.50	£43.90
SUP26BN	Glass to glass	Brushed nickel	1m	£44.95	£40.85

*Minimum order: 1 each. Price based on an order quantity of 5 (CAT. NO. SUP26BN). Price includes 10% discount. Special discount available from 15th August to 31st December 2015.

FROM ONLY **£40.85***



SAVE 10%

CRL SQUARE SERIES SUPPORT BARS

- New square tubing matches geometry of many popular CRL hinges
- Provides fixed panel support for enclosures not going to the ceiling
- No hole drilling required in glass

CAT. NO.	FINISH	LENGTH	1	6
SQ59CH	Chrome	1.5m	£33.45	£30.35
SQ59BN	Brushed nickel	1.5m	£33.45	£30.35

*Minimum order: 1 each. Price based on an order quantity of 6 (CAT. NO. SQ59CH). Price includes 10% discount. Special discount available from 15th August to 31st December 2015.

FROM ONLY **£30.35**



SAVE 10%

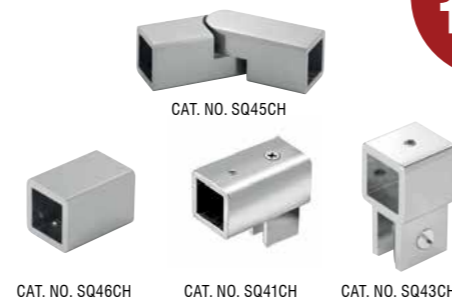
CRL BRACKETS FOR SQUARE SUPPORT BARS

- New square tubing matches geometry of many popular CRL hinges
- Provides fixed panel support for enclosures not going to the ceiling

CAT. NO.	FINISH	DESCRIPTION	1	6
SQ46CH	Chrome	Wall Mount Bracket	£5.95	£5.35
SQ46BN	Brushed nickel	Wall Mount Bracket	£5.95	£5.35
SQ45CH	Chrome	Adjustable Corner Bracket	£15.10	£13.65
SQ45BN	Brushed nickel	Adjustable Corner Bracket	£15.10	£13.65
SQ43CH	Chrome	Movable Bracket	£6.10	£5.55
SQ43BN	Brushed nickel	Movable Bracket	£6.10	£5.55
SQ41CH	Chrome	Swiveling U-Bracket	£10.05	£9.15
SQ41BN	Brushed nickel	Swiveling U-Bracket	£10.05	£9.15

*Minimum order: 1 each. Price based on an order quantity of 6 (CAT. NO. SQ46CH). Price includes 10% discount. Special discount available from 15th August to 31st December 2015.

FROM ONLY **£5.35***



SAVE 10%

2% OFF YOUR TOTAL ORDER WHEN YOU ORDER OVER £250 ONLINE AT CRLAURENCE.CO.UK



CRL ROUND SERIES SUPPORT BARS

- For fabricating glass-to-glass or wall-to-glass support bars
- Components for the fabrication of custom support bars to meet your exact needs
- 19 mm diameter straight rod
- No glass fabrication required
- Polished chrome finish

CAT. NO.	LENGTH	FINISH	1	6
S1CH	1m	Chrome	£12.15	£10.95
S2CH	1.3m	Chrome	£15.70	£14.25
S80CH	2.03m	Chrome	£31.25	£28.30

*Minimum order: 1 each. Price based on an order quantity of 6 (CAT. NO. S1CH). Price includes 10% discount. Special discount available from 15th August to 31st December 2015.

FROM ONLY **£10.95***



SAVE 10%

CRL CHROME SUPPORT BAR BRACKETS AND FITTINGS

- Brackets accept S1, S2, or S80 round series support bars

CAT. NO.	DESCRIPTION	GLASS THICKNESS	1	6
S3CH	Wall or Ceiling Bracket	-	£6.05	£5.50
S4CH	Adjustable U-Bracket	6mm to 8mm	£11.90	£10.80
S5CH	Adjustable U-Bracket	10mm to 12mm	£11.90	£10.80
S6CH	Movable U-Bracket	6mm	£7.65	£6.95
S7CH	Movable U-Bracket	10mm to 12mm	£7.85	£7.15
S8CH	90° Corner Bracket	-	£6.80	£6.15
S9CH	Vertical Support Bracket	6mm	£6.80	£6.15
S910CH	Vertical Support Bracket	10mm to 12mm	£6.80	£6.15
S12CH	Wall Mount Fitting	-	£3.70	£3.30
S13CH	Glass Mount Fitting	6mm to 12mm	£7.40	£6.75
S4VCH	Shower Stabilizer	8mm to 12mm	£8.40	£7.85
S6VCH	Shower Stabilizer	8mm to 12mm	£8.40	£7.85

*Minimum order: 1 each. Price based on an order quantity of 6 (CAT. NO. S12CH). Price includes 10% discount. Special discount available from 15th August to 31st December 2015.

FROM ONLY **£3.30***



SAVE 10%

CRL CHROME SUPPORT BAR COMPLETE SET OFFER

- Slim-line fittings for a streamlined profile
- Wall-to-glass hardware set for 6 to 8mm glass

CAT. NO. S1CH
Support bar
Diameter: 19mm
Length: 1m



PRICES FOR COMPLETE SET				
CAT. NO.	DESCRIPTION	1	6	
SUP06CHSET	Support Bar Set	£24.95	£22.50	

*Minimum order: 1 each. Price based on an order quantity of 6. Price includes 10% discount. Special discount available from 15th August to 31st December 2015.

FROM ONLY **£22.50***

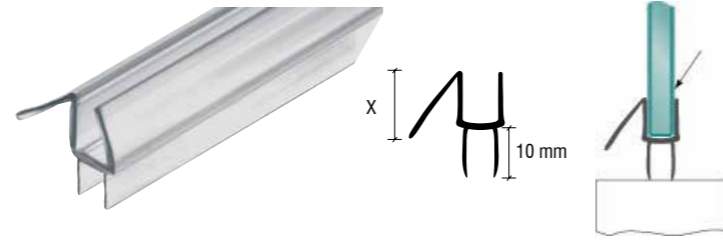


SAVE 10%

CRL CO-EXTRUDED BOTTOM WIPE WITH DRIP RAIL

- Snaps on bottom of door
- 45 Degree drip rail assists in deflecting water back into the enclosure
- 2.49m stock length
- Suggested gap: 11mm

FROM ONLY **£3.05***



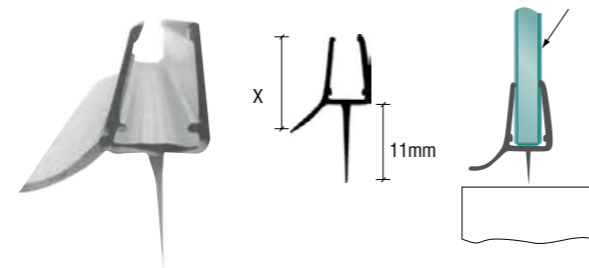
CAT. NO.	GLASS THICKNESS	X	1	10	40
P914WS	6mm	16mm	£3.80	£3.40	£3.05
P956WS	8mm	16mm	£3.80	£3.40	£3.05
P990WS	10mm	19mm	£5.05	£4.45	£4.10

*Minimum order: 1 each. Price based on an order quantity of 40 (CAT. NO. P914WS).

CRL CLEAR CO-EXTRUDED BOTTOM WIPE

- 45 degree drip rail assists in deflecting water back into enclosure
- Snaps on bottom of door
- For 6 to 8mm glass
- 2.49m stock lengths

FROM ONLY **£3.65***



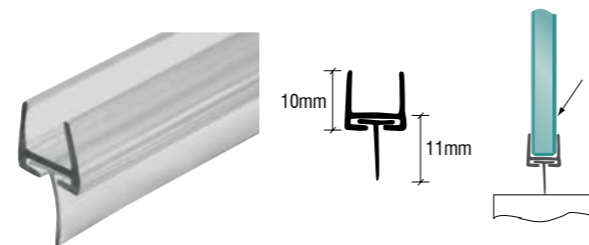
CAT. NO.	DESCRIPTION	X	1	10	40
P102WS	With Drip Rail	10mm	£4.35	£3.95	£3.65
P103WS	With Drip Rail and Bulb	10mm	£4.35	£3.95	£3.65

*Minimum order: 1 each. Price based on an order quantity of 40 (CAT. NO. P102WS).

CRL POLYCARBONATE BOTTOM RAIL WITH WIPE

- Vinyl insert included
- Snaps onto door bottom to achieve a seal
- Includes insert slot with our SDTW 'T' Wipe
- 2.49m stock length
- Suggested gap: 11mm

FROM ONLY **£5.55***



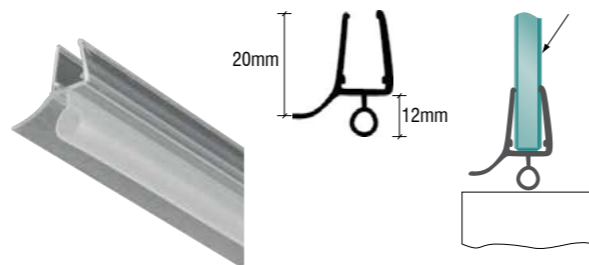
CAT. NO.	GLASS THICKNESS	1	10	40
P450BR	8mm	£7.20	£6.40	£5.55

*Minimum order: 1 each. Price based on an order quantity of 40.

CRL BUBBLE WIPE WITH DRIP RAIL

- Can be used on inswing and outswing doors
- Adhere flat base to glass edge or wall with CRL Very High Bond Tape, such as CAT. NO. AT0401436

FROM ONLY **£5.25***



CAT. NO.	GLASS THICKNESS	1	10	40
P141WS	6mm to 8mm	£6.25	£5.70	£5.25

*Minimum order: 1 each. Price based on an order quantity of 40.

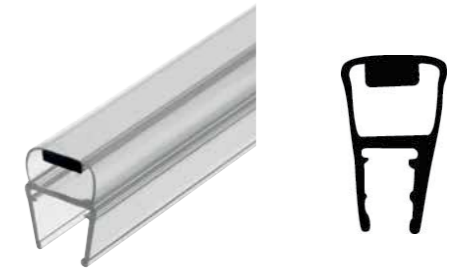
2% OFF YOUR TOTAL ORDER WHEN YOU ORDER OVER £250 ONLINE AT CRLAURENCE.CO.UK



CRL 90 DEGREE MAGNETIC PROFILE FOR GLASS-TO-GLASS

- Provide positive door closure
- Mix and match configurations to achieve desired result
- Made of co-extruded plastic with soft magnetic receiver
- Recommended gap between each door is 22.2mm

FROM ONLY **£4.35***



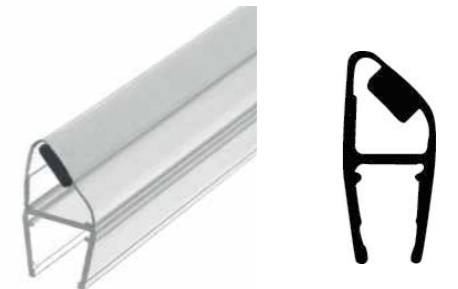
CAT. NO.	GLASS THICKNESS	1	10	40
PMC8	6mm to 8mm	£5.15	£4.70	£4.35
PMC10	10mm to 12mm	£7.95	£7.25	£6.70

*Minimum order: 1 each. Price based on an order quantity of 40 (CAT. NO. PMC8).

CRL 45 DEGREE LH MAGNETIC PROFILE FOR GLASS-TO-GLASS

- Provide positive door closure
- Mix and match configurations to achieve desired result
- Made of co-extruded plastic with soft magnetic receiver
- Recommended gap between each door is 22.2mm

FROM ONLY **£4.35***



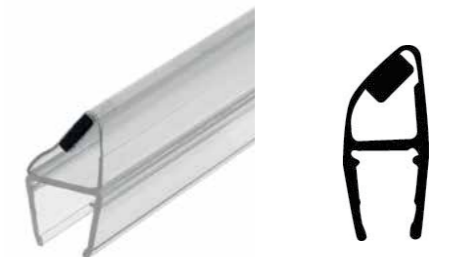
CAT. NO.	GLASS THICKNESS	1	10	40
PMA8	6mm to 8mm	£5.15	£4.75	£4.35
PMA10	10mm to 12mm	£7.95	£7.25	£6.75

*Minimum order: 1 each. Price based on an order quantity of 40 (CAT. NO. PMA8).

CRL 45 DEGREE RH MAGNETIC PROFILE FOR GLASS-TO-GLASS

- Provide positive door closure
- Mix and match configurations to achieve desired result
- Made of co-extruded plastic with soft magnetic receiver
- Recommended gap between each door is 22.2mm

FROM ONLY **£4.35***



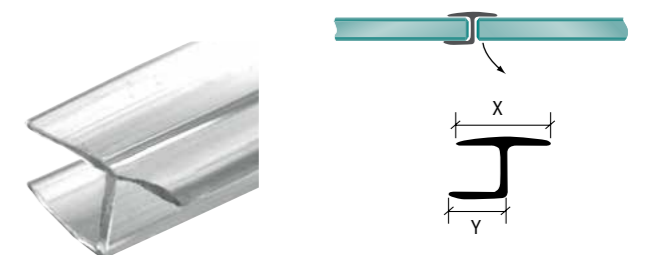
CAT. NO.	GLASS THICKNESS	1	10	40
PMB8	6mm to 8mm	£5.15	£4.75	£4.35
PMB10	10mm to 12mm	£7.95	£7.25	£6.70

*Minimum order: 1 each. Price based on an order quantity of 40 (CAT. NO. PMB8).

CRL 'Y' JAMB SEAL WITH SOFT LEG

- Soft vinyl single leg for quieter door closure
- Snaps onto fixed panel
- For glass-to-glass applications
- Suggested gap: 4.7mm

FROM ONLY **£4.15***



CAT. NO.	GLASS THICKNESS	X	Y	1	10	40
PCC8	8mm	19mm	11mm	£4.95	£4.55	£4.15
PCC10	10mm	21mm	12mm	£6.35	£5.85	£5.30

*Minimum order: 1 each. Price based on an order quantity of 40 (CAT. NO. PCC8).

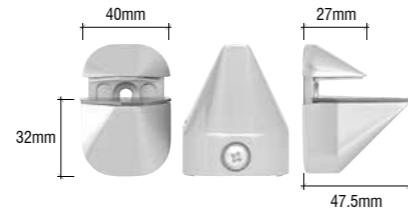
CRL ADJUSTABLE SHELF BRACKET

- For glass or wood shelves 3mm to 24mm thick
- For shelves up to 254mm deep (protrusion from wall)
- Maximum recommended weight by pair is 20kg
- Includes: adjusting screw, mounting screw and foam gasket
- Material: zinc plated
- Sold in pairs

CAT. NO.	FINISH	1	12	60
DL631CH	Chrome	£5.35	£4.80	£4.35
DL631BN	Brushed Nickel	£6.10	£5.50	£5.00
DL631W	White	£5.80	£5.25	£4.75

*Minimum order: 1 each. Price based on an order quantity of 60 (CAT. NO. DL631CH).

FROM ONLY
£4.35*
PER PAIR



Best Seller

CRL INTERIOR SHOWER SHELF CLAMP

- For shelves up to 127mm deep (protrusion from wall)
- For 6mm to 10mm glass
- No glass fabrication required
- Available in three styles and up to eight finishes online at crlaurence.co.uk
- Material: solid brass

CAT. NO.	FINISH	WIDTH	DEPTH	1	10	50
FA10CH	Chrome	28.6mm	25.4mm	£4.75	£4.15	£3.65
FA10BN	Brushed Nickel	28.6mm	25.4mm	£4.75	£4.15	£3.65

*Minimum order: 1 each. Price based on an order quantity of 50 (CAT. NO. FA10CH).

FROM ONLY
£3.65*



NOTE: Wall anchor screws not included

CRL INTERIOR SHOWER SHELF CLAMP

- For shelves up to 127mm deep (protrusion from wall)
- For 6mm to 10mm glass
- No glass fabrication required
- Available in three styles and up to eight finishes online at crlaurence.co.uk
- Material: solid brass

CAT. NO.	FINISH	WIDTH	DEPTH	1	10	50
FA11CH	Chrome	100mm	25.4mm	£9.95	£8.75	£7.75
FA11BN	Brushed Nickel	100mm	25.4mm	£9.95	£8.75	£7.75

*Minimum order: 1 each. Price based on an order quantity of 50 (CAT. NO. FA11CH).

FROM ONLY
£7.75*



NOTE: Wall anchor screws not included

CRL ROUNDED INTERIOR SHOWER SHELF CLAMP

- For shelves up to 127mm deep (protrusion from wall)
- For 6mm to 10mm glass
- No glass fabrication required
- Available in three styles and up to eight finishes online at crlaurence.co.uk
- Material: solid brass

CAT. NO.	FINISH	WIDTH	DEPTH	1	10	50
FA12CH	Chrome	49.2mm	25.4mm	£6.65	£6.05	£5.40
FA12BN	Brushed Nickel	49.2mm	25.4mm	£6.65	£6.05	£5.40

*Minimum order: 1 each. Price based on an order quantity of 50 (CAT. NO. FA12CH).

FROM ONLY
£5.40*



NOTE: Wall anchor screws not included

2% OFF YOUR TOTAL ORDER WHEN YOU ORDER OVER £250 ONLINE AT CRLAURENCE.CO.UK



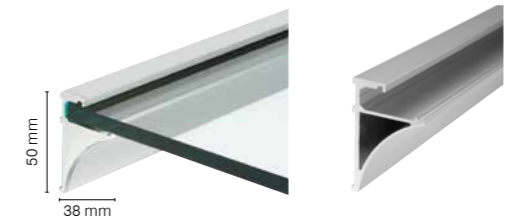
CRL ALUMINIUM SHELVING EXTRUSION

- Designed to support glass shelves without a lot of visible metal
- Easy to install
- 2.4m stock length that you cut to size

CAT. NO.	FINISH	GLASS THICKNESS	1	10
SE1496BA	Brite Anodised	6mm	£28.80	£26.65
SE1496BN	Brushed Nickel	6mm	£31.40	£28.95
SE3896BA	Brite Anodised	10mm	£37.80	£34.90
SE3896BN	Brushed Nickel	10mm	£42.10	£38.80

*Minimum order: 1 each. Price based on an order quantity of 10 (CAT. NO. SE1496BA).

FROM ONLY
£26.65*



NOTE: End caps are sold separately, see below.

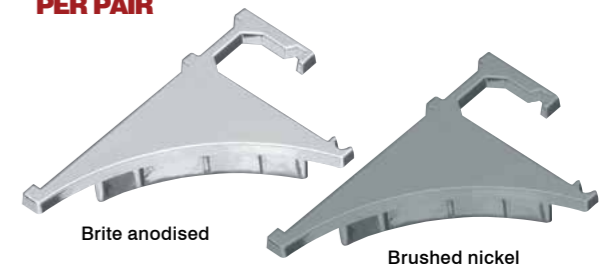
CRL END CAP FOR ALUMINIUM SHELVING EXTRUSION

- Made of injection molded plastic and easily installed with EURTV408C clear silicone
- Cover exposed edges of our aluminium shelving extrusions
- Formed and shaped to fit, ready to install
- Sold in pairs

CAT. NO.	FINISH	USE WITH	1	10
END14BA	Brite Anodised	SE1496BA	£1.25	£1.15
END14BN	Brushed Nickel	SE1496BN	£1.25	£1.15
END38BA	Brite Anodised	SE3896BA	£1.35	£1.25
END38BN	Brushed Nickel	SE3896BN	£1.35	£1.25

*Minimum order: 1 each. Price based on an order quantity of 10 (CAT. NO. END14BA).

FROM ONLY
£1.15*
PER PAIR



CRL STICK-ON FINGER PULLS

- Perfect for sliding showcase and cabinet glass doors
- Easy-to-install, just peel and stick
- Available in five popular colours online at crlaurence.co.uk
- 19mm wide x 70mm long x 3.2mm deep

CAT. NO.	COLOUR	QTY/PACK	1	5	50	100	300
FP88	Clear	1	£0.45	-	£0.40	£0.36	£0.32
FP86	Silver	1	£0.45	-	£0.40	£0.36	£0.32
FP88BX	Clear	100	£27.50	£24.50	-	-	-
FP86BX	Silver	100	£27.50	£24.50	-	-	-

*Minimum order: 1 each. Price based on an order quantity of 300 (CAT. NO. FP88).

FROM ONLY
£0.32*



CRL THREADED FINGER PULL FOR GLASS DOORS

- Designed for 'all glass' showcase and cabinet doors
- Requires drilling a 22mm hole in glass
- Easy to install in glass from 6mm to 8mm thick

CAT. NO.	FINISH	1	50
KV836	Anochrome	£1.24	£1.13

*Minimum order: 1 each. Price based on an order quantity of 50.

FROM ONLY
£1.13*



CRL EUROPEAN STYLE GLASS DOOR HINGES

- For use with CAT. NO. EH122 mounting plate
- For 5 to 6mm glass
- Opens a full 90 degrees
- 26 mm hole required
- One per package

CAT. NO.	STYLE	1	6	24	48
EH202	Overlay Hinge	£3.55	£3.15	£2.85	£2.60
EH204	Inlay Hinge	£3.70	£3.30	£3.00	£2.75

*Minimum order: 1 each. Price based on an order quantity of 48 (CAT. NO. EH202).

FROM ONLY **£2.60***

Best Seller



CAT. NO. EH202

CAT. NO. EH204

CRL EUROPEAN STYLE GLASS DOOR HINGE MOUNTING PLATE

- Secures overlay or inset hinge to cabinet wall
- Designed for easy installation
- Zinc plated
- One per package

CAT. NO.	DESCRIPTION	1	6	24	48
EH122	Mounting Plate	£0.55	£0.50	£0.45	£0.40

*Minimum order: 1 each. Price based on an order quantity of 48.

FROM ONLY **£0.40***



CRL EUROPEAN STYLE GLASS DOOR HINGE COVER PLATE

- Designed for easy installation
- Hides thru-glass portion of overlay or inset hinge
- 1 per package

CAT. NO.	FINISH	1	6	24	48
EH156	Chrome	£1.29	£1.19	£1.09	£0.99
EH158	Brass	£2.19	£1.95	£1.75	£1.59

*Minimum order: 1 each. Price based on an order quantity of 48 (CAT. NO. EH156).

FROM ONLY **£0.99***



CRL EUROPEAN STYLE HINGE COVER PLATE

- Black plastic hinge cover plate snaps onto mounting arm of overlay or inset hinges
- One per package

CAT. NO.	DESCRIPTION	1	6	24	48
EH120	Cover Plate	£0.20	£0.17	£0.15	£0.13

*Minimum order: 1 each. Price based on an order quantity of 48.

FROM ONLY **£0.13***



CRL DELUXE SERENITY SERIES SLIDING SHOWER DOOR SYSTEM

- For use with 8 to 10mm monolithic toughened glass

CAT. NO. SER78BS BRUSHED STAINLESS DELUXE 180 DEGREE KIT
 CAT. NO. SER78PS POLISHED STAINLESS DELUXE 180 DEGREE KIT

Deluxe 180 Degree Kit Includes:

- 1 - 2m length header support bar
- 4 - Rollers
- 1 - Stopper
- 2 - Track holder fittings for wall
- 2 - Track holder fittings for fixed panel
- 1 - Thru-glass pull
- 1 - Door guide
- 1 - 2.16m length clear L-jamb

FROM ONLY **£182.00***

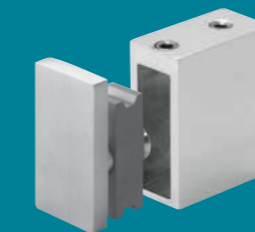


Image shown here: CAT. NO. SER90BS

CAT. NO.	DESCRIPTION	FINISH	1	6
SER78BS	Deluxe 180 Degree Serenity Kit	Brushed Stainless	£202.00	£182.00
SER78PS	Deluxe 180 Degree Serenity Kit	Polished Stainless	£218.00	£198.00
SER90BS	90 Degree Accessory Kit	Brushed Stainless	£6.20	£5.62
SER90PS	90 Degree Accessory Kit	Polished Stainless	£6.51	£5.93
SERAHW2BS	Track Holder Fittings for Wall	Brushed Stainless	£17.33	£15.65
SERAHW2PS	Track Holder Fittings for Wall	Polished Stainless	£20.11	£18.11

*Price based on order quantity of 6 (CAT. NO. SER78BS). Minimum order: 1 each. Finishes can be combined for quantity pricing. 90 degree accessory kit sold separately. Glass not included.



IDEAL FOR SHOWROOMS
 VISIT crlaurence.co.uk
 and view CAT. NO. EUSLUK14

THE NEXT GENERATION IN SURFACE PROTECTION
 SEE PAGE 29



SEE THE COMPLETE RANGE

VISIT crlaurence.co.uk
 and view CAT. NO. SDH12UK



CRL HYDROSLIDE SLIDING SHOWER DOOR SYSTEM

- For use with 8mm to 10mm monolithic toughened glass
- Excellent design for compact areas
- Quick and easy installation
- Clean, sleek lines
- Available in four stock finishes, custom finishes available
- Custom units available by special order

CAT. NO. HYDK60CH Brite Anodised/Chrome
180 Degree Standard Kit 1524mm

CAT. NO. HYDK84CH Brite Anodised/Chrome
180 Degree Standard Kit 2134mm

180 DEGREE STANDARD KIT CONSISTS OF:

- 1 - Sliding glass door upper track
- 2 - Hangers for sliding glass door
- 2 - Sliding glass door rollers
- 2 - Sliding glass door roller stops
- 1 - Sliding glass door floor guide
- 2 - 90 degree wall-to-upper track connectors
- 2 - 180 degree glass-to-sliding track connectors
- 1 - 914mm half-round SDT980 threshold
- 1 - 2489mm DK98L L-seal for wall

NOTE: Bottom fixed glass attachments, handles or knobs must be ordered separately.

90 DEGREE* WALL-TO-GLASS ACCESSORY KIT CONSISTS OF:

- 1 - 90 degree glass-to-sliding track connector
 - 1 - 90 degree wall-to-glass bracket
- *90 degree units require that you order one 180 degree Standard Kit plus one 90 degree Accessory Kit



FROM ONLY
£146.00*

CAT. NO.	DESCRIPTION	FINISH	1	6
HYDK60CH	Standard 180 degree kit 1524mm	Brite Anodised / Chrome	£162.75	£146.00
HYDK84CH	Standard 180 degree kit 2134mm	Brite Anodised / Chrome	£175.50	£159.50
HYDA9CH	90 degree wall-to-glass accessory kit	Brite Anodised / Chrome	£44.84	£40.79
HYDK60BN	Standard 180 degree kit 1524mm	Brushed Nickel	£182.75	£166.00
HYDK84BN	Standard 180 degree kit 2134mm	Brushed Nickel	£195.50	£179.50
HYDA9BN	90 degree wall-to-glass accessory kit	Brushed Nickel	£52.40	£47.67

*Minimum order: 1 kit. Price based on an order quantity of 6 (CAT. NO. HYDK60CH).



CAT. NO. HYDA9
90 Degree Kit



Glass Railing Hardware



Architectural Glass Fixings

CAT. NO. EUAGF15

Get your copy now!

contact us

Contact our technical advisers for more details on our architectural glass fixings

CRL@crlaurence.co.uk or 00 800 0421 6144



TAPER-LOC X
DRY GLAZE RAILING SYSTEM

Order your free copy
from taper-loc.co.uk



Install glass railings with ease...

TAPER-LOC®

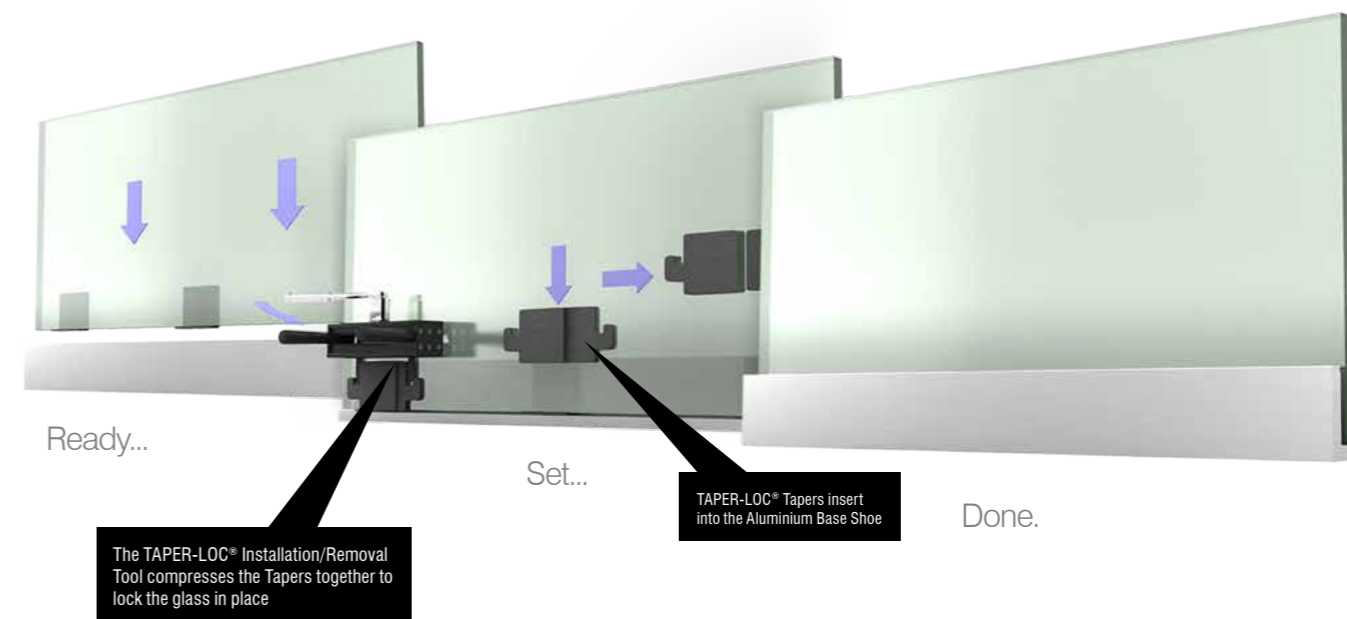
- 50% faster to install than alternatives
- Save Time and Money - The horizontal TAPER-LOC® design allows the system to be adjusted, dismantled and re-set
- Meets BS 6180: 2011 requirements
- For use with monolithic and laminated toughened glass
- Easy installation with one compact installation/removal tool



CONFORMS TO
BS 6180: 2011

Simple. Fast. Unique.

Frameless Glass Balustrade System



U.S. Patent Numbers 8,122,654 & 8,201,366
and Commonwealth of Australia Patent Numbers
2008207524 and 2012202256

For more information, visit www.taper-loc.co.uk

Ask about our new TAPER-LOC® X1 System for use with laminated toughened glass



To see a demonstration, visit taper-loc.co.uk

Contact our technical advisers for more details

CRL FLAT BACK GLASS CLAMPS

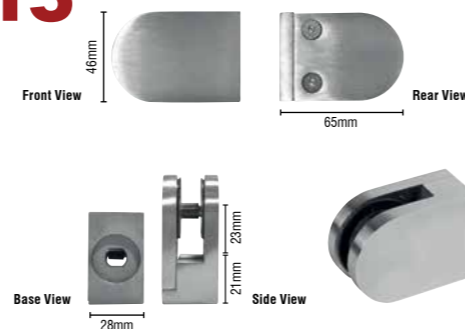
- For use on mezzanines, partitions, railings and windbreaks
- Available in 316 grade brushed or polished stainless steel
- For 10 and 12mm glass
- Comes complete with gaskets for monolithic toughened glass
- Sold Individually

For laminated glass, use gasket CAT. NO. EUZ5GASK107
For support plate, order CAT. NO. EUZ5SUPPORT

CAT. NO.	FINISH	SIZE	1	6
EUZ51012BS	Brushed Stainless	65 x 46 x 28mm	£12.25	£11.15
EUZ51012PS	Polished Stainless	65 x 46 x 28mm	£13.45	£12.25

*Minimum order: 1 each. Price based on an order quantity of 6 (CAT. NO. EUZ51012BS).

FROM ONLY
£11.15*



CRL RADIUS BACK GLASS CLAMPS

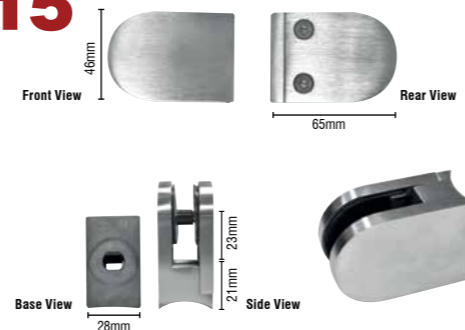
- For use on mezzanines, partitions, railings and windbreaks
- Available in 316 grade brushed or polished stainless steel
- For 10 and 12mm glass
- Comes complete with gaskets for monolithic toughened glass
- Sold Individually

For laminated glass, use gasket CAT. NO. EUZ5GASK107
For support plate, order CAT. NO. EUZ5SUPPORT

CAT. NO.	FINISH	SIZE	1	6
EUZ51012RBS	Brushed Stainless	65 x 46 x 28mm	£12.25	£11.15
EUZ51012RPS	Polished Stainless	65 x 46 x 28mm	£13.45	£12.25

*Minimum order: 1 each. Price based on an order quantity of 6 (CAT. NO. EUZ51012RBS).

FROM ONLY
£11.15*



CRL SQUARE TYPE FLAT BACK GLASS CLAMPS

- For use on mezzanines, partitions, railings and windbreaks
- Steel pin included for additional glass support
- For 8 to 10.76mm toughened or laminated glass
- Sold individually

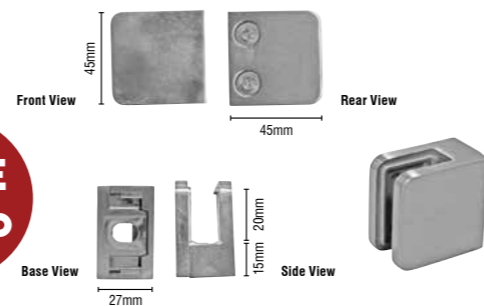
Rubber gaskets are sold separately, CAT. NO.'s EUZS8G to EUZS1076G

CAT. NO.	FINISH	SIZE	1	50	100	500
EUZSFBB	Brushed Stainless	45 x 45 X 27mm	£4.20	£3.80	£3.45	£3.15
EUZSFBPS	Polished Stainless	45 x 45 X 27mm	£5.35	£4.85	£4.40	£4.05
EUZSFBZ	Raw Zinc	45 x 45 X 27mm	£1.45	£1.30	£1.15	£1.05
EUZSFBNN	Brushed Nickel	45 x 45 x 27mm	£2.20	£2.00	£1.80	£1.65

*Minimum order: 1 each. Price based on an order quantity of 500 (CAT. NO. EUZSFBZ).
Price includes 10% discount. Special discount available from 15th August to 31st December 2015.

FROM ONLY
£1.05*

SAVE 10%



CRL RUBBER GASKETS FOR EUZSF SERIES CLAMPS

- For use with toughened or laminated glass
- Sold by the pair
- Black color

For use with EUZSF Series Clamps

CAT. NO.	THICKNESS	GLASS TYPE	1	50	100	500
EUZS8G	8mm	Toughened	£0.25	£0.20	£0.18	£0.16
EUZS876G	8.76mm	Laminated	£0.25	£0.20	£0.18	£0.16
EUZS10G	10mm	Toughened	£0.25	£0.20	£0.18	£0.16
EUZS1076G	10.76mm	Laminated	£0.25	£0.20	£0.18	£0.16

*Minimum order: 1 each. Price based on an order quantity of 500 (CAT. NO. EUZS8G).

FROM ONLY
£0.16*



2% OFF YOUR TOTAL ORDER WHEN YOU ORDER OVER £250 ONLINE AT CRLAURENCE.CO.UK



CRL SQUARE TYPE FLAT BACK GLASS CLAMPS

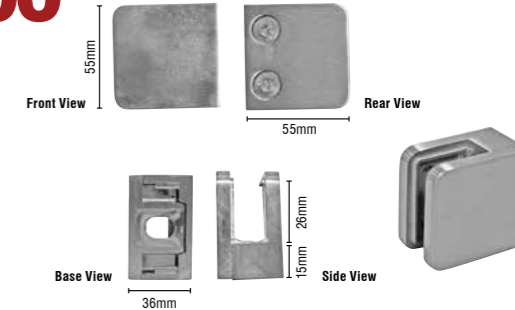
- For use on mezzanines, partitions, railings and windbreaks
- Side plates for use with laminated glass
- For 8 to 12.76mm toughened or laminated glass
- Safety pin included
- Sold individually

Rubber gaskets are sold separately, see chart below for options, from CAT. NO.'s EUZLS6GL to EUZLS1276GL

CAT. NO.	FINISH	SIZE	1	50	100	500
EUZLSFBBSL	Brushed Stainless	55 x 55 x 36mm	£10.25	£9.25	£8.40	£7.70
EUZLSFBZL	Raw Zinc	55 x 55 x 36mm	£2.85	£2.65	£2.15	£2.00

*Minimum order: 1 each. Price based on an order quantity of 500 (CAT. NO. EUZLSFBZL).

FROM ONLY
£2.00*



CRL SQUARE TYPE 42.4MM RADIUS BACK GLASS CLAMPS

- Radius back for use with 42.4mm diameter posts
- For use on mezzanines, partitions, railings and windbreaks
- Side plates for use with laminated glass included
- For 6 to 12.76mm toughened or laminated glass
- Safety pin included
- Sold individually

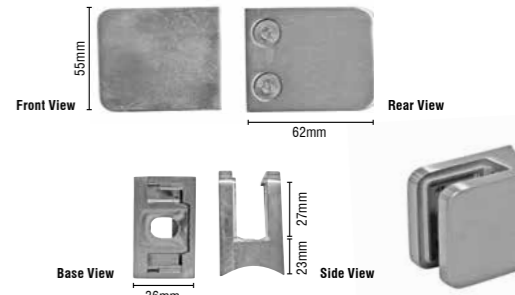
Rubber gaskets are sold separately, see chart below for options, from CAT. NO.'s EUZLS6GL to EUZLS1276GL

CAT. NO.	FINISH	SIZE	1	50	100	500
EUZLS42RBSL	Brushed Stainless	62 x 55 x 36mm	£10.25	£9.25	£8.40	£7.70
EUZLS42RBZL	Raw Zinc	62 x 55 x 36mm	£2.85	£2.65	£2.15	£2.00

*Minimum order: 1 each. Price based on an order quantity of 500 (CAT. NO. EUZLS42RBZL).

FROM ONLY
£2.00*

Economy range



CRL SQUARE TYPE 48.3MM RADIUS BACK GLASS CLAMPS

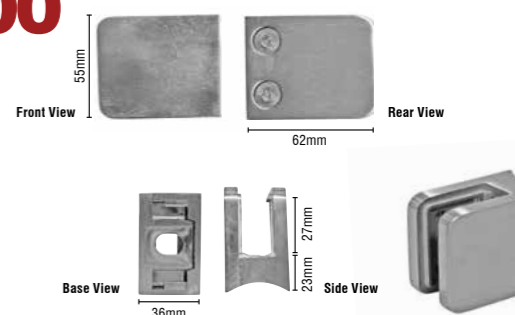
- Radius back for use with 48.3mm diameter posts
- For use on mezzanines, partitions, railings and windbreaks
- Side plates for use with laminated glass included
- For 6 to 12.76mm toughened or laminated glass
- Safety pin included
- Sold individually

Rubber gaskets are sold separately, see chart below for options, from CAT. NO.'s EUZLS6GL to EUZLS1276GL

CAT. NO.	FINISH	SIZE	1	50	100	500
EUZLS48RBSL	Brushed Stainless	62 x 55 x 36mm	£10.25	£9.25	£8.40	£7.70
EUZLS48RBZL	Raw Zinc	62 x 55 x 36mm	£2.85	£2.65	£2.15	£2.00

*Minimum order: 1 each. Price based on an order quantity of 500 (CAT. NO. EUZLS48RBZL).

FROM ONLY
£2.00*



CRL RUBBER GASKETS FOR EUZLSF/EUZLS42/EUZLS48 SERIES CLAMPS

- For use with toughened or laminated glass
- Sold individually
- Black colour

CAT. NO.	THICKNESS	GLASS TYPE	1	50	100	500
EUZLS6GL	6mm	Toughened	£0.38	£0.34	£0.30	£0.27
EUZLS676GL	6.76mm	Laminated	£0.38	£0.34	£0.30	£0.27
EUZLS8GL	8mm	Toughened	£0.38	£0.34	£0.30	£0.27
EUZLS876GL	8.76mm	Laminated	£0.38	£0.34	£0.30	£0.27
EUZLS10GL	10mm	Toughened	£0.38	£0.34	£0.30	£0.27
EUZLS1076GL	10.76mm	Laminated	£0.38	£0.34	£0.30	£0.27
EUZLS12GL	12mm	Toughened	£0.38	£0.34	£0.30	£0.27
EUZLS1276GL	12.76mm	Laminated	£0.38	£0.34	£0.30	£0.27

*Minimum order: 1 each. Price based on an order quantity of 500 (CAT. NO. EUZLS6GL).

FROM ONLY
£0.27*



CRL LARGE D SHAPE FLAT BACK GLASS CLAMPS

SAVE 10%

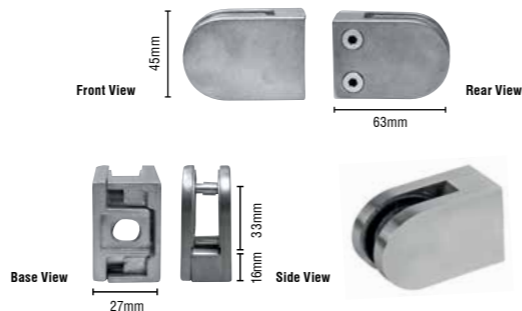
FROM ONLY £1.45*

- For use on mezzanines, partitions, railings and windbreaks
- Steel pin included for additional glass support
- For 8 to 12.76mm toughened or laminated glass • Sold individually

Rubber gaskets are sold separately, CAT. NO.'s EUZ8G to EUZ1276G

CAT. NO.	FINISH	SIZE	1	50	100	500
EUZFBBS	Brushed Stainless	63 x 45 x 27mm	£5.55	£5.00	£4.55	£4.15
EUZFBPS	Polished Stainless	63 x 45 x 27mm	£6.50	£5.85	£5.20	£4.90
EUZFBZ	Raw Zinc	63 x 45 x 27mm	£1.90	£1.70	£1.55	£1.45
EUZFBN	Brushed Nickel	63 x 45 x 27mm	£2.40	£2.15	£1.95	£1.79

*Minimum order: 1 each. Price based on an order quantity of 500 (CAT. NO. EUZFBZ). Price includes 10% discount. Special discount available from 15th August to 31st December 2015.



CRL LARGE D SHAPE 42.4MM RADIUS BACK GLASS CLAMPS

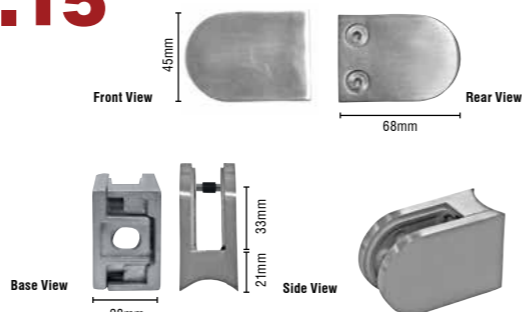
FROM ONLY £2.15*

- Radius back for use with 42.4mm diameter posts
- For use on mezzanines, partitions, railings and windbreaks
- Steel pin included for additional glass support
- For 8 to 12.76mm toughened or laminated glass
- Sold individually

Rubber gaskets are sold separately, CAT. NO.'s EUZ8G to EUZ1276G

CAT. NO.	FINISH	SIZE	1	50	100	500
EUZ42RBS	Brushed Stainless	68 x 45 x 28 mm	£6.55	£5.85	£5.35	£4.90
EUZ42RPS	Polished Stainless	68 x 45 x 28 mm	£7.60	£6.85	£6.20	£5.70
EUZ42RBN	Brushed Nickel	68 x 45 x 28 mm	£2.85	£2.55	£2.35	£2.15

*Minimum order: 1 each. Price based on an order quantity of 500 (CAT. NO. EUZ42RBN).



CRL LARGE D SHAPE 48.3MM RADIUS BACK GLASS CLAMPS

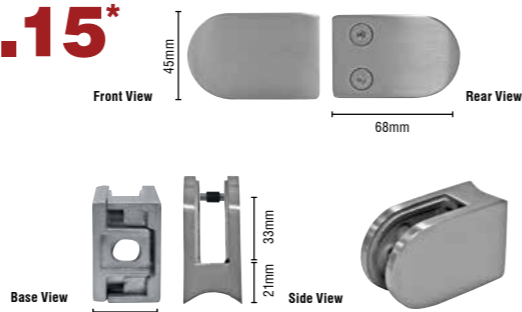
FROM ONLY £2.15*

- Radius back for use with 48.3mm diameter posts
- For use on mezzanines, partitions, railings and windbreaks
- Steel pin included for additional glass support
- For 8 to 12.76mm toughened or laminated glass
- Sold individually

Rubber gaskets are sold separately, CAT. NO.'s EUZ8G to EUZ1276G

CAT. NO.	FINISH	SIZE	1	50	100	500
EUZ48RBS	Brushed Stainless	68 x 45 x 28 mm	£6.55	£5.85	£5.35	£4.90
EUZ48RPS	Polished Stainless	68 x 45 x 28 mm	£7.60	£6.85	£6.20	£5.70
EUZ48RBN	Brushed Nickel	68 x 45 x 28 mm	£2.85	£2.55	£2.35	£2.15

*Minimum order: 1 each. Price based on an order quantity of 500 (CAT. NO. EUZ48RBN).



CRL RUBBER GASKETS FOR EUZFB/EUZ42/EUZ48 SERIES CLAMPS

FROM ONLY £0.21*

- For use with toughened or laminated glass
- Sold by the pair • Black colour

For use with EUZ42, EUZ48 and EUZFB Series Clamps

CAT. NO.	THICKNESS	GLASS TYPE	1	50	100	500
EUZ8G	8mm	Toughened	£0.30	£0.25	£0.23	£0.21
EUZ876G	8.76mm	Laminated	£0.30	£0.25	£0.23	£0.21
EUZ10G	10mm	Toughened	£0.30	£0.25	£0.23	£0.21
EUZ1076G	10.76mm	Laminated	£0.30	£0.25	£0.23	£0.21
EUZ12G	12mm	Toughened	£0.30	£0.25	£0.23	£0.21
EUZ1276G	12.76mm	Laminated	£0.30	£0.25	£0.23	£0.21

*Minimum order: 1 each. Price based on an order quantity of 500 (CAT. NO. EUZ8G).



Commercial Hardware

CRL Office Partition System Brochure

CAT. NO. OPS15DEUK

Get your copy now!

contact us

Contact our technical advisers for more details on our office partition systems

CRL@crlaurence.co.uk or 00 800 0421 6144





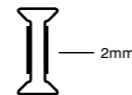
CRL CLEAR GLASS JOINT SYSTEM 180° PARTITION JOINT

FROM ONLY **£5.30***

- A clear slimline finish between two glass panels
- Excellent adhesion from pre-applied high bond tape
- 3m lengths

CAT. NO.	GLASS THICKNESS	GLASS TYPE	1	25	50
EZCC10	10mm	Toughened	£6.45	£5.80	£5.30
EZCC108	10.8mm	Laminated	£6.45	£5.80	£5.30
EZCC12	12mm	Toughened	£6.60	£6.00	£5.50
EZCC128	12.8mm	Laminated	£6.60	£6.00	£5.50

*Minimum order: 1 each. Price based on an order quantity of 50 (CAT. NO. EZCC108). Must ship common carrier.



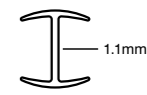
CRL CLEAR GLASS JOINT SYSTEM 180° IN-LINE 2-WAY PARTITION JOINT

FROM ONLY **£4.40***

- Clips over the glass joint
- 3m lengths
- Does not feature clear high bond tape

CAT. NO.	GLASS THICKNESS	GLASS TYPE	1	25	50
CLON10	10mm	Toughened	£5.25	£4.75	£4.40
CLON108	10.8mm	Laminated	£5.25	£4.75	£4.40
CLON12	12mm	Toughened	£5.85	£5.40	£4.95
CLON128	12.8mm	Laminated	£5.85	£5.40	£4.95

*Minimum order: 1 each. Price based on an order quantity of 50 (CAT. NO. CLON10). Must ship common carrier.



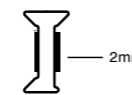
CRL CLEAR GLASS JOINT SYSTEM 90° CORNER PROTECTION JOINT

FROM ONLY **£5.80***

- A clear slimline finish between two glass panels
- Excellent adhesion from pre-applied high bond tape
- 3m lengths

CAT. NO.	GLASS THICKNESS	GLASS TYPE	1	25	50
EZCL10	10mm	Toughened	£7.05	£6.35	£5.80
EZCL108	10.8mm	Laminated	£7.05	£6.35	£5.80
EZCL12	12mm	Toughened	£7.30	£6.55	£5.95
EZCL128	12.8mm	Laminated	£7.30	£6.55	£5.95

*Minimum order: 1 each. Price based on an order quantity of 50 (CAT. NO. EZCL10). Must ship common carrier.



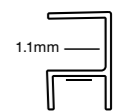
CRL CLEAR GLASS JOINT SYSTEM 90° IN-LINE 2-WAY PARTITION JOINT

FROM ONLY **£6.35***

- Clips over the glass joint
- Excellent adhesion from pre-applied clear high bond tape
- 3m lengths

CAT. NO.	GLASS THICKNESS	GLASS TYPE	1	25	50
CLON210	10mm	Toughened	£7.65	£6.95	£6.35
CLON2108	10.8mm	Laminated	£7.65	£6.95	£6.35
CLON212	12mm	Toughened	£8.25	£7.50	£6.85
CLON2128	12.8mm	Laminated	£8.25	£7.50	£6.85

*Minimum order: 1 each. Price based on an order quantity of 50 (CAT. NO. CLON210). Must ship common carrier.



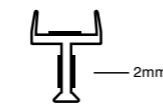
CRL CLEAR GLASS JOINT SYSTEM 3-WAY PARTITION JOINT

FROM ONLY **£9.00***

- A clear slimline finish between two glass panels
- Excellent adhesion from pre-applied high bond tape
- 3m lengths

CAT. NO.	GLASS THICKNESS	GLASS TYPE	1	25	50
EZCT10	10mm	Toughened	£10.95	£9.90	£9.00
EZCT108	10.8mm	Laminated	£10.95	£9.90	£9.00
EZCT12	12mm	Toughened	£11.40	£10.25	£9.35
EZCT128	12.8mm	Laminated	£11.40	£10.25	£9.35

*Minimum order: 1 each. Price based on an order quantity of 50 (CAT. NO. EZCT10). Must ship common carrier.



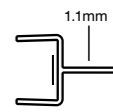
CRL CLEAR GLASS JOINT SYSTEM 90° IN-LINE 3-WAY PARTITION JOINT

FROM ONLY **£6.25***

- Clips over the glass joint
- Excellent adhesion from pre-applied clear high bond tape
- 3m lengths

CAT. NO.	GLASS THICKNESS	GLASS TYPE	1	25	50
CLON310	10mm	Toughened	£7.50	£6.80	£6.25
CLON3108	10.8mm	Laminated	£7.50	£6.80	£6.25
CLON312	12mm	Toughened	£8.10	£7.40	£6.75
CLON3128	12.8mm	Laminated	£8.10	£7.40	£6.75

*Minimum order: 1 each. Price based on an order quantity of 50 (CAT. NO. CLON310). Must ship common carrier.



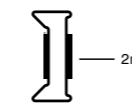
CRL CLEAR GLASS JOINT SYSTEM ABUTMENT JOINT

FROM ONLY **£6.00***

- A clear slimline finish between two glass panels
- Excellent adhesion from pre-applied high bond tape
- 3m lengths

CAT. NO.	GLASS THICKNESS	GLASS TYPE	1	25	50
EZCE10	10mm	Toughened	£7.60	£6.95	£6.00
EZCE108	10.8mm	Laminated	£7.60	£6.95	£6.00
EZCE12	12mm	Toughened	£7.85	£7.20	£6.25
EZCE128	12.8mm	Laminated	£7.85	£7.20	£6.25

*Minimum order: 1 each. Price based on an order quantity of 50 (CAT. NO. EZCE10). Must ship common carrier.



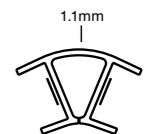
CRL CLEAR GLASS JOINT SYSTEM 135° IN-LINE 2-WAY PARTITION JOINT

FROM ONLY **£8.75***

- Clips over the glass joint
- Excellent adhesion from pre-applied clear high bond tape
- 3m lengths

CAT. NO.	GLASS THICKNESS	GLASS TYPE	1	25	50
CLON410	10mm	Toughened	£10.45	£9.50	£8.75
CLON4108	10.8mm	Laminated	£10.45	£9.50	£8.75
CLON412	12mm	Toughened	£11.25	£10.25	£9.40
CLON4128	12.8mm	Laminated	£11.25	£10.25	£9.40

*Minimum order: 1 each. Price based on an order quantity of 50 (CAT. NO. CLON410). Must ship common carrier.





2% OFF YOUR TOTAL ORDER WHEN YOU ORDER OVER £250 ONLINE AT CRLAURENCE.CO.UK



CRL T-STYLE DOOR PULL HANDLES

- Lengths from 300mm to 1 metre
- Grade 304 brushed stainless steel
- Sold per pair

CAT. NO.	LENGTH	DIAMETER	1	5
300LPBSEU	300mm	19mm	£27.80	£20.85
400LPBSEU	400mm	19mm	£21.25	£15.65
500LPBSEU	500mm	25mm	£29.20	£21.90
600LPBSEU	600mm	32mm	£32.65	£24.75
1000LPBSEU	1000mm	32mm	£41.95	£31.45

*Minimum order: 1 pair. Price based on an order quantity of 5 pairs (CAT. NO. 400LPBSEU). Price includes 10% discount. Special discount available from 15th August to 31st December 2015.

FROM ONLY **£15.65***

SAVE 10%



CRL EUR SERIES COMPLETE PATCH LOCK INCLUDING CYLINDER

- Can be mounted on top, bottom or side of doors
- High density cast body with lock mechanism
- For 10 or 12mm glass
- Bottom load cylinder
- Glass fabrication required
- Keepers ordered separately, for more details go to crlaurence.co.uk

CAT. NO.	FINISH	1	6
EUR205BS	Brushed Stainless	£37.75	£33.95

*Minimum order: 1 each. Price based on an order quantity of 6. Price includes 10% discount. Special discount available from 15th August to 31st December 2015.

FROM ONLY **£33.95***

SAVE 10%



CRL GLASS MOUNTED LATCH WITH LOCK AND THUMBTURN

- Works on single or double doors
- Field reversible
- Glass fabrication required
- For 10 or 12mm glass
- 174mm overall length
- 304 Grade stainless steel
- Other finishes available
- Lever handles ordered separately, see our full line of handles at crlaurence.co.uk

CAT. NO.	FINISH	1	6
PTH311BS	Brushed Stainless	£44.80	£40.75

*Minimum order: 1 each. Price based on an order quantity of 6. Price includes 10% discount. Special discount available from 15th August to 31st December 2015.

FROM ONLY **£40.75***

SAVE 10%



CRL GLASS MOUNTED PASSAGE LATCH

- Works on single or double doors
- Field reversible
- Glass fabrication required
- For 10 or 12mm glass
- 174mm overall length
- 304 Grade stainless steel
- Other finishes available
- Lever handles ordered separately, see our full line of handles at crlaurence.co.uk

CAT. NO.	FINISH	1	6
PTH312BS	Brushed Stainless	£28.90	£26.00

*Minimum order: 1 each. Price based on an order quantity of 6. Price includes 10% discount. Special discount available from 15th August to 31st December 2015.

FROM ONLY **£26.00***

SAVE 10%



CRL CENTRE-HUNG FREE SWINGING TOP PIVOT

- Surface mount top pivot for use with patch fittings and CRL WEDGE-LOCK® Door Rail System
- Installs easily to wood or metal substrates

CAT. NO.	DESCRIPTION	1	6
1NT401	Centre-Hung Free Swinging Top Pivot	£2.45	£2.20

*Minimum order: 1 each. Price based on an order quantity of 6. Price includes 10% discount. Special discount available from 15th August to 31st December 2015.

FROM ONLY **£2.20***

SAVE 10%



CRL ADJUSTABLE POWER 180° FLOOR MOUNTED DOOR CLOSER

- The perfect door closer to support CRL's patch hardware
- Interchangeable spindle heights
- 120kg capacity, 1067mm wide doors
- Narrow 82mm width cement box
- EN3 medium strength floor spring
- Complete with cement box, brushed stainless cover plate and standard height spindle (other heights ordered separately)

CAT. NO.	DESCRIPTION	1	6	48	96
EUCRL8460V	Adjustable Floor Mounted Closer	£96.90	£92.00	£86.25	£82.30

*Minimum order: 1 each. Price based on an order quantity of 96. Price includes 5% discount. Special discount available from 15th August to 31st December 2015.

FROM ONLY **£82.30***

SAVE 5%



CRL TOP DOOR PATCH FITTING WITH 1NT303 INSERT

- 65mm pivot setback
- High density cast body
- For 10 or 12mm glass
- Glass fabrication required, see more details online at crlaurence.co.uk

CAT. NO.	FINISH	1	6
PH21AA	Aluminium	£21.40	£19.25
PH21ABR	Polished Brass	£24.15	£21.45
PH21ABS	Brushed Stainless	£21.40	£19.25
PH21ADU	Black Bronze	£21.00	£18.85
PH21APS	Polished Stainless	£21.40	£19.25

*Minimum order: 1 each. Price based on an order quantity of 6 (CAT. NO. PH21AA).

FROM ONLY **£18.85***



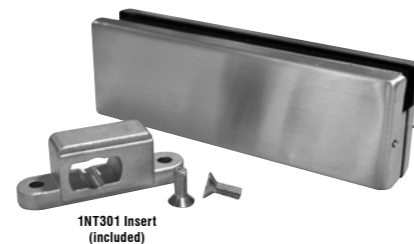
CRL BOTTOM DOOR PATCH FITTING WITH 1NT301 INSERT

- 65mm pivot setback
- For 10 or 12mm glass
- Glass fabrication required, see more details online at crlaurence.co.uk

CAT. NO.	FINISH	1	6
PH11CA	Aluminium	£24.70	£21.95
PH11CBB	Polished Brass	£27.25	£24.25
PH11CBS	Brushed Stainless	£24.70	£21.95
PH11CDU	Black Bronze	£25.70	£22.85
PH11CPS	Polished Stainless	£24.70	£21.95

*Minimum order: 1 each. Price based on an order quantity of 6 (CAT. NO. PH11CA).

FROM ONLY **£21.95***



CRL WALL MOUNTED TRANSOM PATCH WITH 1NT300 INSERT

- Works with both 65mm and 70mm pivot setback door patch fittings
- Used to support a transom from a side jamb
- Glass fabrication required for more details, go to crlaurence.co.uk
- For 10 or 12 mm glass

CAT. NO.	FINISH	1	6
PH34BS	Brushed Stainless	£19.20	£17.25
PH34PS	Polished Stainless	£19.20	£17.25

*Minimum order: 1 each. Price based on an order quantity of 6 (CAT. NO. PH34BS). Price includes 10% discount. Special discount available from 15th August to 31st December 2015.

FROM ONLY **£17.25***

SAVE 10%



CRL SIDELITE MOUNTED TRANSOM PATCH WITH 1NT300 INSERT

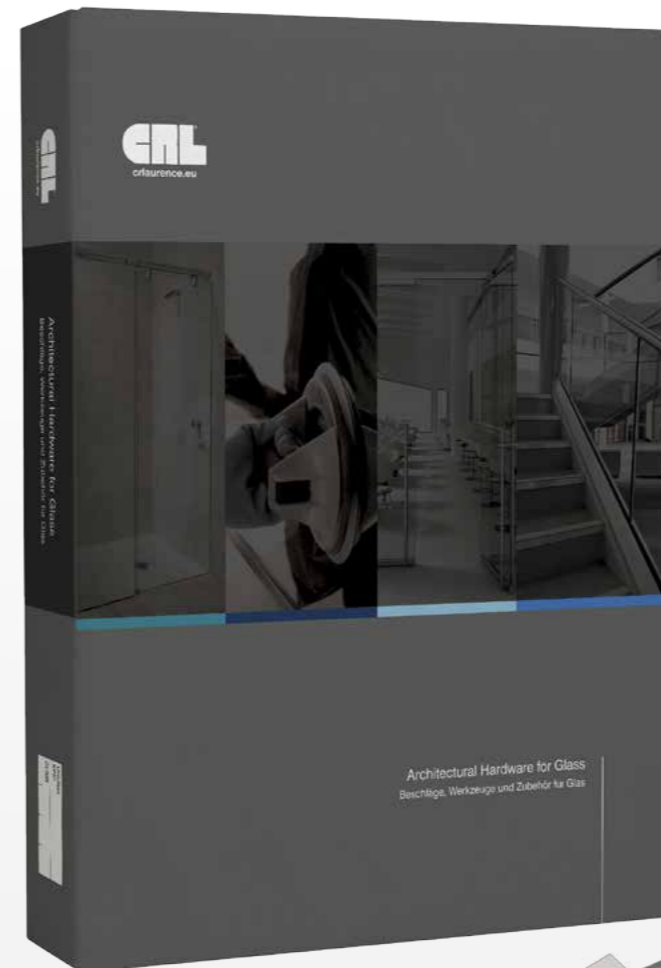
- Works with both 65mm and 70mm pivot setback door patch fittings
- Used to support a transom from a sidelite glass panel
- Glass fabrication required for more details, go to crlaurence.co.uk
- For 10 or 12mm glass

CAT. NO.	FINISH	1	6
PH40BS	Brushed Stainless	£33.95	£30.55
PH40PS	Polished Stainless	£33.95	£30.55

*Minimum order: 1 each. Price based on an order quantity of 6 (CAT. NO. PH40BS). Price includes 10% discount. Special discount available from 15th August to 31st December 2015.

FROM ONLY **£30.55***

SAVE 10%



Further Information

If there is a product you can't find please let us know at CRL@crlaurence.co.uk

At CRL we offer tens of thousands of products and continue to listen to your ideas for new ones. We are manufacturers and have a significant capacity for developing new glass products.





European HQ

Manchester

Charles Babbage Avenue, Kingsway Business Park, Rochdale, OL16 4NW, England



Germany

Stuttgart

Boschstrasse 7
D-74360 Ilsfeld, Germany



Denmark

Copenhagen

Stamholmen 70 Unit B,
DK-2650 Hvidovre, Denmark

The Complete Collection

- EUAB12UK for the Binder with the following selection of brochures:
 - EUTL14 TAPER-LOC® Frameless Glass Balustrade System
 - DH12UK Door Hardware & Partitioning Systems for Glass
 - RS12UK Aluminium Railing & Windscreen Systems
 - GA14DEUK Glass Awnings Brochure
 - SDH12UK Shower Door Hardware
 - OPS15DEUK Office Partition System
 - EU6K14UK Hydrophobic Surface Protection System
 - CABOUK14 Cabo Soft Close Shower Door System
- EUAB12 for the Binder only

The ring binder enables you to add new brochures as they are published.



For your copy call: **00 800 0421 6144** or email: **CRL@crlaurence.co.uk**

For more information Freephone 00 800 0421 6144 (UK & Europe) | Freefax 00 800 0262 3299

