



# Bottom Rolling Sliding System Quote/Order Request Form

Email Completed Checklist to [architectural@crlaurence.com](mailto:architectural@crlaurence.com) or fax to Architectural Technical Sales at (800) 587-7501. Then call to discuss: (800) 421-6144 (U.S.), (877) 421-6144 (Canada), or (323) 588-1281 (International). Ask for Extension 17700. This form is also available online at [crlaurence.com](http://crlaurence.com).

COMPANY NAME _____	PHONE _____
CONTACT _____ ACCOUNT NO. _____	FAX _____
JOB NAME _____	EMAIL _____

QUOTE     ORDER P.O. # \_\_\_\_\_    DATE \_\_\_\_\_

**RAIL FINISH**

- Satin Anodized (SA)
- Black Bronze Anodized (DU)
- Brushed Stainless (BS)
- Polished Stainless (PS)
- Polished Brass (PB)
- Satin Brass (SB)
- Black Powder Coat PSP290005 (BL)
- Kynar  
Specify Color: \_\_\_\_\_
- Stocked Powder Coat  
Specify Color: \_\_\_\_\_

**RAIL SIZE / RAIL TYPE**

- 4" Square
- 4" Tapered
- 6" Square
- 10" Square

\*NOTE: 2-5/16" Rail CANNOT be used.

**GLASS THICKNESS**

- 3/8"
- 1/2"

**LOCK OPTIONS**

- With Lock
- Without Lock

**System Panels must not exceed any of the following guidelines:**

SLIDING PANELS:  
 Maximum Panel Height: 108" (2.74m)  
 Maximum Panel Width: 48" (1.22 m)  
 Minimum Panel Width: 14-3/4" (375 mm)  
 Maximum Panel Weight: 234 pounds (106 kg)  
 Minimum Door Width with Lock 21-9/16" (548 mm)

**NOTE: 3" overlap is added unless otherwise specified.**

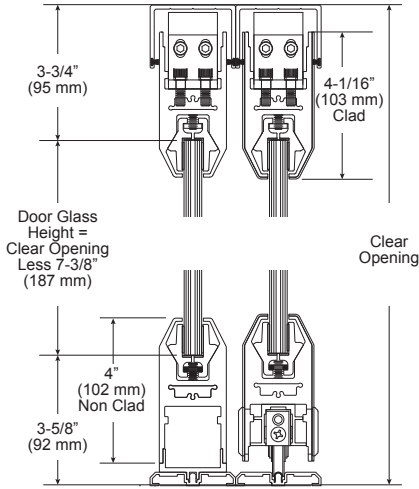
**ADDITIONAL NOTES OR SKETCHES**

<div data-bbox="1068 1816 1555 2011" data-label="Form"> <p><b>FOR OFFICE USE ONLY</b></p> <p>TAKEN BY: _____</p> <p>PRICED BY: _____</p> <p>EDITED BY: _____</p> </div>
---

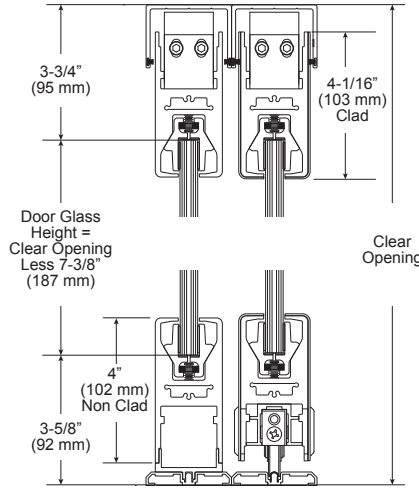
APPROVED BY \_\_\_\_\_ DATE \_\_\_\_\_

0F0137\_8-22-19

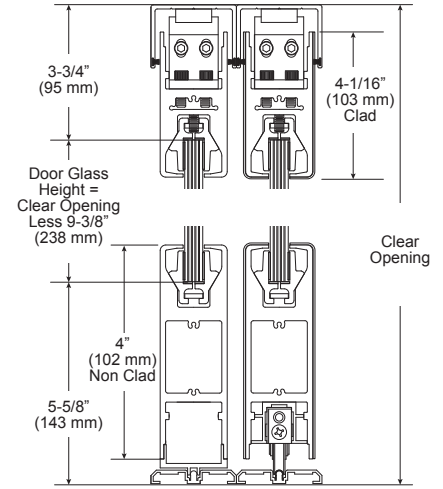
**SDR RAIL OPTIONS**



SDR - 4" Tapered Rails Top/Bottom

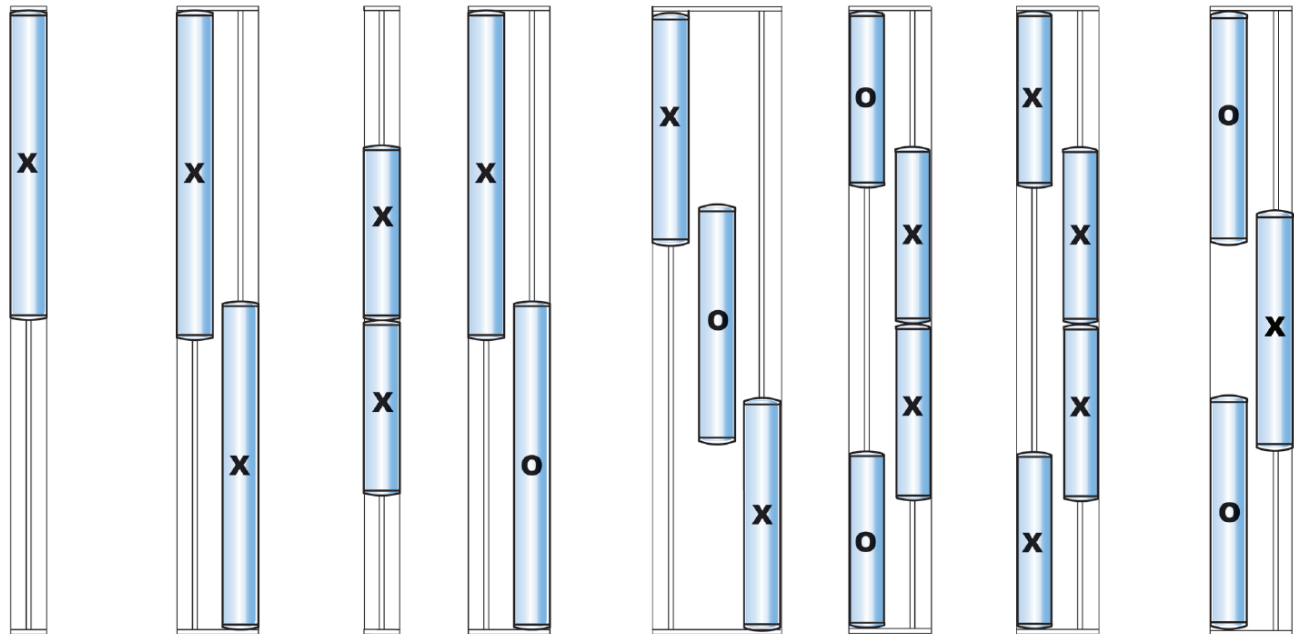
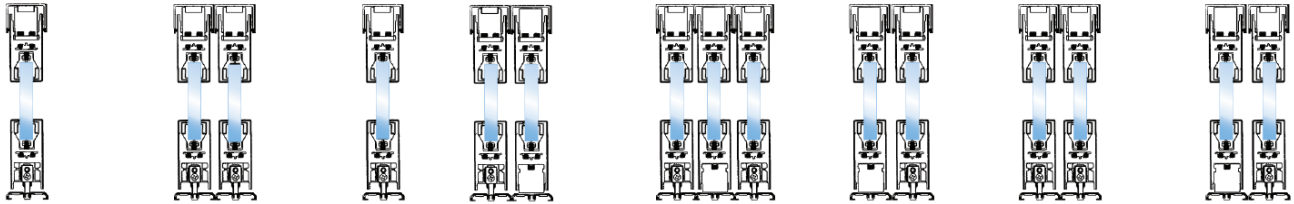


4SDR - 4" Square Rails Top/Bottom



6SDR - 4" Square Top/6" Square Bottom

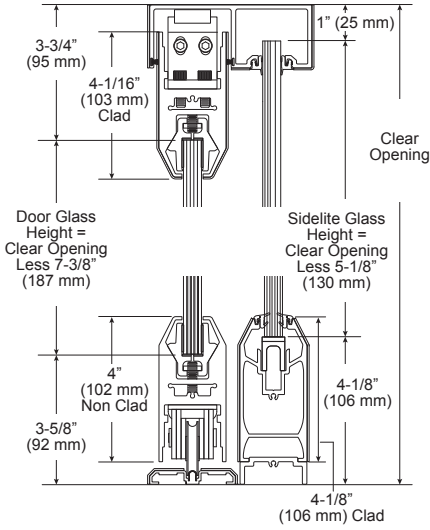
**SDR STANDARD CONFIGURATIONS**



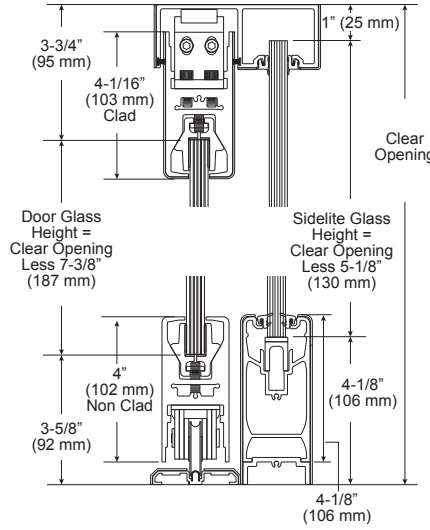
Top View of Panels

X = Sliding Panel      O = Fixed Panel

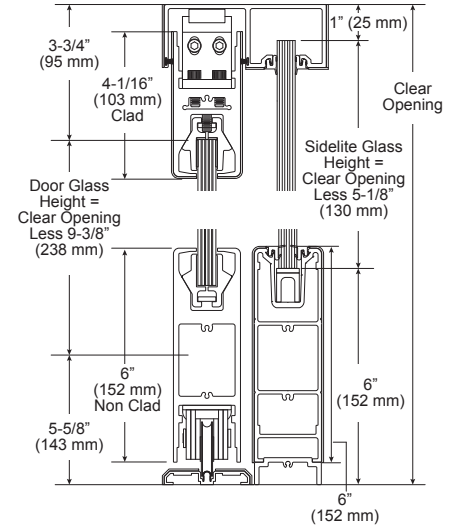
**SSR RAIL OPTIONS**



SSR - 4" Tapered Rails Top/Bottom

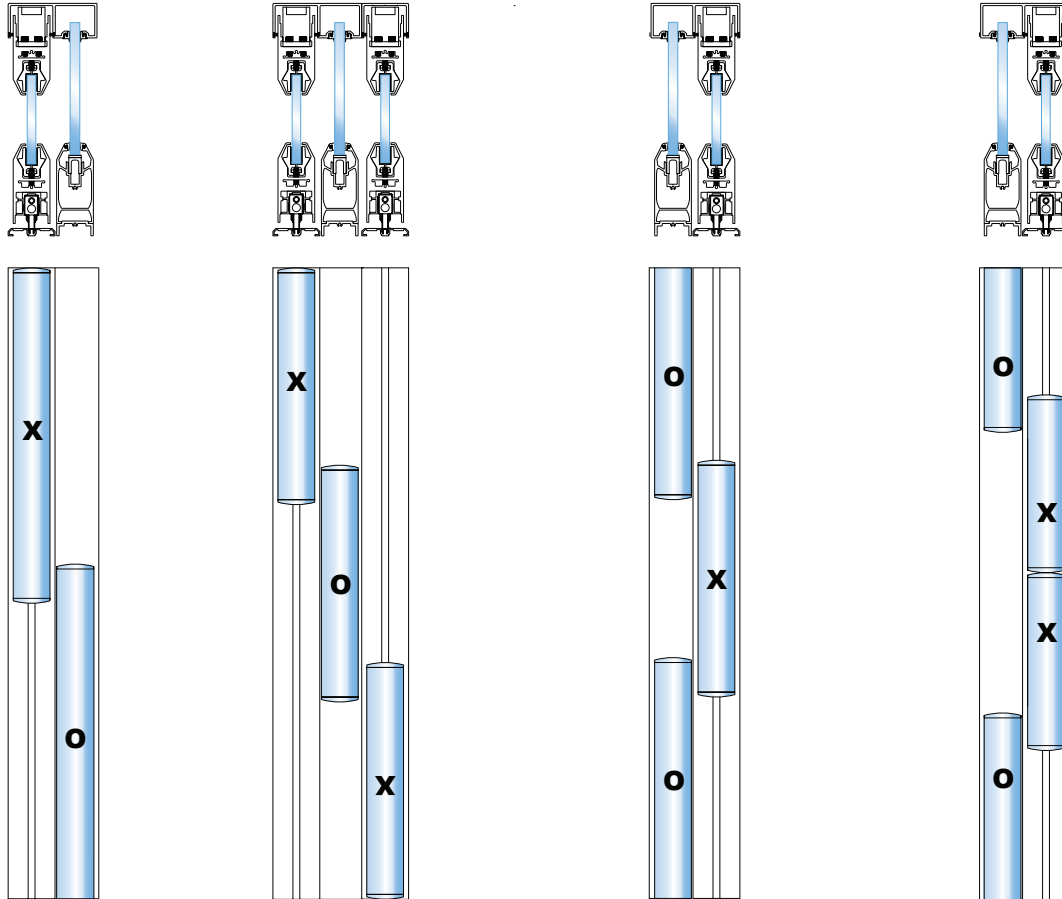


4SSR - 4" Square Rails Top/Bottom



6SSR - 4" Square Top/6" Square Bottom

**SSR STANDARD CONFIGURATIONS**



Top View of Panels

X = Sliding Panel      O = Fixed Panel