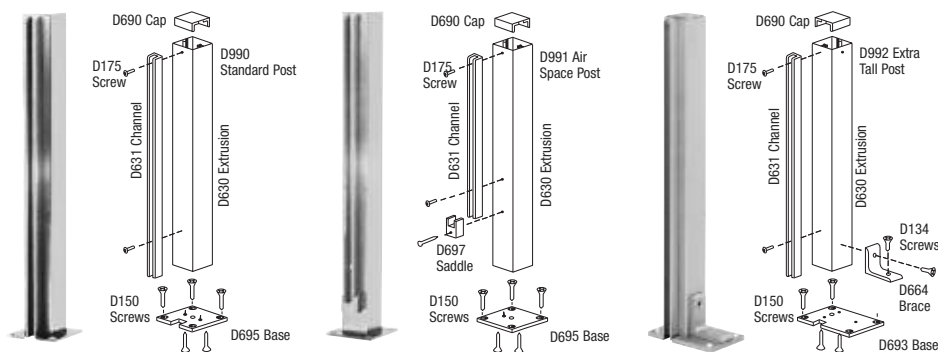


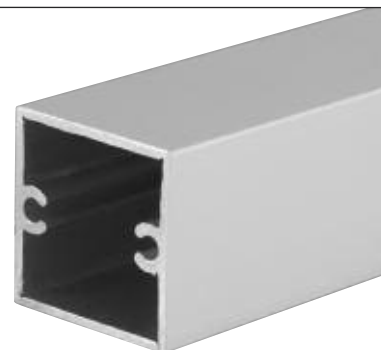
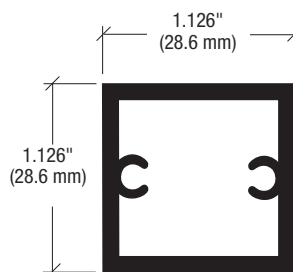
## "Make Your Own" Design Series Partition Posts With CRL Components

- Assemble the Aluminum Partition Posts You Need in Your Own Shop and Save Time
- With a Very Minimal Parts Inventory You Will Always Be Ready to Provide Your Customers With the Partitions They Want Without Delay



### CRL Square Post Extrusion

Partition Post Stock is 1.126" (28.6 mm) square extruded aluminum in your choice of four beautiful finishes: Satin Anodized, Duranodic Bronze, Brite Anodized, and Brite Gold Anodized. 12 foot (3.66 m) stock lengths are ready to be cut into any length posts required.



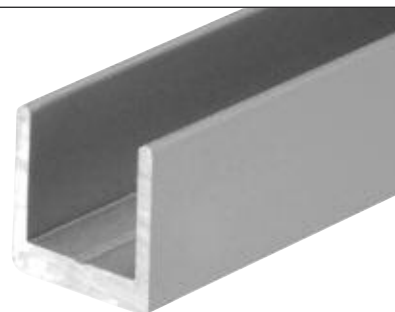
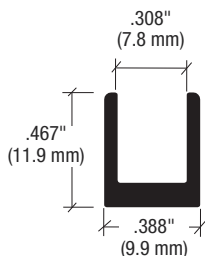
**MORE INFORMATION**  
[crlaurence.com](http://crlaurence.com)

CAT. NO.	FINISH
D630A	Satin Anodized
D630DU	Duranodic Bronze
D630BA	Brite Anodized
D630BGA	Brite Gold Anodized

Minimum order: 1 stock length. All CRL Aluminum Extrusions can be combined for quantity pricing. Packing charge added to orders of less than 10 combined lengths. F.O.B. CRL service centers. Specify cutting instructions if stock lengths are to be shipped via U.P.S.

### CRL U-Channel

U-Channel is available in the same four finishes as our D630 Square Extrusion. The .308" (7.8 mm) channel width allows for vinyl packing around glass of 3/16", 7/32", and 1/4" (5 to 6 mm) thickness. Fasten to Square Extrusion with pop rivets or Cat. No. D175 Screws. Available in 12 foot (3.66 m) stock lengths you cut to required size.



**NOTE:** If using 3/8" (10 mm) thick glass, D321 or D604 U-Channel must be used. View them at [crlaurence.com](http://crlaurence.com) for exact inside Channel dimensions that will be appropriate for your glass thickness. D321 and D604 U-Channels will require that you wet glaze the glass.

CAT. NO.	FINISH
D631A	Satin Anodized
D631DU	Duranodic Bronze
D631BA	Brite Anodized
D631BGA	Brite Gold Anodized

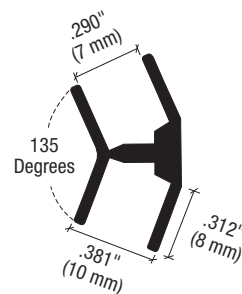
Minimum order: 1 stock length. All CRL Aluminum Extrusions can be combined for quantity pricing. Packing charge added to orders of less than 10 combined lengths. F.O.B. CRL service centers. Specify cutting instructions if stock lengths are to be shipped via U.P.S.

### Make 135 Degree Posts for Special Installations

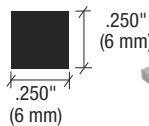
With CRL's 135 Degree H-Bar you're not restricted to rectangular Partition Post layouts. Use D634 in place of D631 Glass Channel to create 135 Degree Posts in either End or Center configurations. Fasten D637M Square Bar Stock to D630 Square Extrusion with D134 Screws, then fit D634 over D637M to make a 135 degree glass angle. D634 comes in four finishes to match our Square Extrusion and Glass Channel.



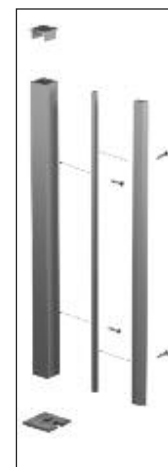
D634A 135 Degree H-Bar



D637M Square Bar Stock



135 Degree Center Post Base Configuration Shown



CAT. NO.	DESCRIPTION	FINISH
D634A	135 Degree H-Bar	Satin Anodized
D634DU	135 Degree H-Bar	Duranodic Bronze
D634BA	135 Degree H-Bar	Brite Anodized
D634BGA	135 Degree H-Bar	Brite Gold Anodized
D637M	Bar Stock	Mill

Minimum order: 1 stock length. All CRL Aluminum Extrusions can be combined for quantity pricing. Packing charge added to orders of less than 10 combined lengths. F.O.B. CRL service centers. Specify cutting instructions if stock lengths are to be shipped via U.P.S.

go to [crlaurence.com](http://crlaurence.com) to search for

**partition-posts**

Search

or enter the Catalog Number for complete product information

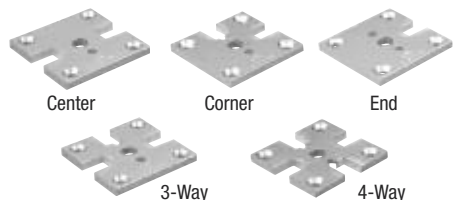
**GG182**

**TOLL Phone:** (800) 421-6144  
**FREE Fax:** (800) 262-3299  
 From Anywhere in the U.S. or Canada



## CRL Design Series Partition Post Base Plate Kits

CRL Partition Post Base Plate Kits contain either a 2" x 2" (51 x 51 mm) or 2" x 3" (51 x 76 mm) Base Plate, plus Top Cap and all hardware required. Use with CRL D630 Square Tubing and D631 Glass Channel, and you have everything you need.



### 2" X 2" BASE KIT FOR POSTS UP TO 24" (610 MM)

CAT. NO.	CONFIGURATION	FINISH
D1990AC	Center	Satin Anodized
D1990ACR	Corner	Satin Anodized
D1990AE	End	Satin Anodized
D1990A3W	3-Way	Satin Anodized
D1990A4W	4-Way	Satin Anodized

Minimum order: 1 each. Duranodic bronze, brite anodized, and brite gold anodized available by special order only.

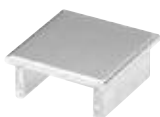
### 2" X 3" BASE KIT FOR POSTS OVER 24" (610 MM)

CAT. NO.	CONFIGURATION	FINISH
D1993AC	Center	Satin Anodized
D1993ACR	Corner	Satin Anodized
D1993AEL	Left End	Satin Anodized
D1993AER	Right End	Satin Anodized

Minimum order: 1 each. Duranodic bronze, brite anodized, and brite gold anodized available by special order only.

## CRL Design Series Partition Post Components

CRL Top Cap for D630 Post Extrusion.



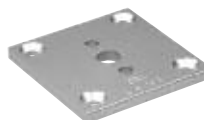
D691A  
Flange Cap

**MORE INFORMATION**  
[crlaurence.com](http://crlaurence.com)

CAT. NO.	FINISH
D691A	Satin Anodized
D691DU	Duranodic Bronze
D691BA	Brite Anodized
D691BGA	Brite Gold Anodized

Minimum order: 1 each.

CRL Standard 2" x 2" (51 x 51 mm) Base for Post Extrusion. Screws included.



D695A  
Blank Base

CAT. NO.	FINISH
D695A	Satin Anodized
D695DU	Duranodic Bronze
D695BA	Brite Anodized
D695BGA	Brite Gold Anodized

Minimum order: 1 each.

CRL 2" x 3" (51 x 76 mm) Base for extra tall posts. Screws included.



D693A  
Blank Base

CAT. NO.	FINISH
D693A	Satin Anodized
D693DU	Duranodic Bronze
D693BA	Brite Anodized
D693BGA	Brite Gold Anodized

Minimum order: 1 each.

CRL Post Saddle used for lower support of glass on Design Series Posts with an air space. Order Cat. No. D175 Screws Separately.



D697A  
Saddle

CAT. NO.	FINISH
D697A	Satin Anodized
D697DU	Duranodic Bronze
D697BA	Brite Anodized
D697BGA	Brite Gold Anodized

Minimum order: 1 each.

CRL Mounting Screws. 100 per box. Minimum order is 100 each.



CAT. NO. D134  
#6 x 1/2" Mounting Screw for D664 Brace



CAT. NO. D150  
#8 x 1" Mounting Screw for D695 2" x 2" Base or D693 2" x 3" Base



CAT. NO. D175  
#5 x 3/4" Mounting Screw for D697 Saddle

CRL Brace used on extra tall posts with D693 2" x 3" Base. Order Cat. No. D134 Screws separately.

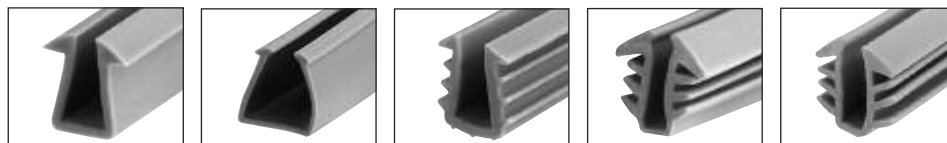


D664A

CAT. NO.	FINISH
D664A	Satin Anodized
D664DU	Duranodic Bronze
D664BA	Brite Anodized
D664BGA	Brite Gold Anodized

Minimum order: 1 each.

## CRL Glazing Vinyl for Design Series Partition Posts



D749

D751

D752

D753

D754

CRL Glazing Vinyls are made to fit D631 Glass Channel, normally used for 1/4" glass, to accommodate glass or other glazing materials 7/32", 3/16", 1/8" or 1/16" thick. When glazing is completed, all that remains visible is a neat "bead" that gives the framed glass or other glazing material a finished professional appearance. Available in gray color only.

### • Available in Five Sizes

100 FOOT (30.5 M) ROLL CAT. NO.	GLASS THICKNESS	1000 FOOT (305 M) ROLL CAT. NO.
D749C	7/32" (5.5 mm)	D749M
D751C	1/4" (6 mm)	D751M
D752C	3/16" (5 mm)	D752M
D753C	1/8" (3.2 mm)	D753M
D754C	1/16" (1.6 mm)	D754M

Minimum order: 1 roll. Sizes can be combined for quantity pricing.

go to [crlaurence.com](http://crlaurence.com) to search for

**partition-posts**

Search

or enter the Catalog Number for complete product information

**GG183**

**TOLL Phone: (800) 421-6144**  
**FREE Fax: (800) 262-3299**  
 From Anywhere in the U.S. or Canada

