

REPLACEMENT INSTRUCTIONS

CRL DEADBOLT SERIES BOTTOM COMPONENT REPLACEMENT



Phone: (800) 421-6144 • Fax: (800) 587-7501
crlaurence.com • usalum.com • crl-arch.com

ORDER OF ASSEMBLY AND INSTALLATION

INTRODUCTION/TOOLS REQUIRED 03

REMOVE THE INTERIOR HANDLE FROM THE DOOR.....04-06

REMOVING THE BOTTOM COMPONENT.....07-08

REPLACE THE BOTTOM COMPONENT.....09-10

RE-INSTALL THE INTERIOR HANDLE TO THE DOOR.....11-12

The rapidly changing technology within the architectural aluminum products industry demands that C.R. Laurence/U.S. Aluminum reserve the right to revise, discontinue, or change any product line, specification, or electronic media without prior written notice.

NOTE: Dimensions in parentheses () are millimeters unless otherwise noted.

INTRODUCTION

The CRL Dead Bolt Handle System is designed to allow maximum view and a contemporary look to your doors. The CRL system meets the requirements of ANSI/BHMA A156.16 Grade 1.

Tools Required

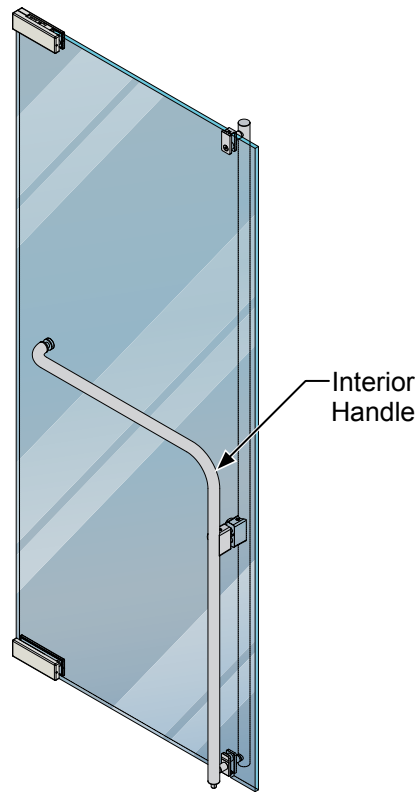
Saw Horses or Table

Allen Wrench Set

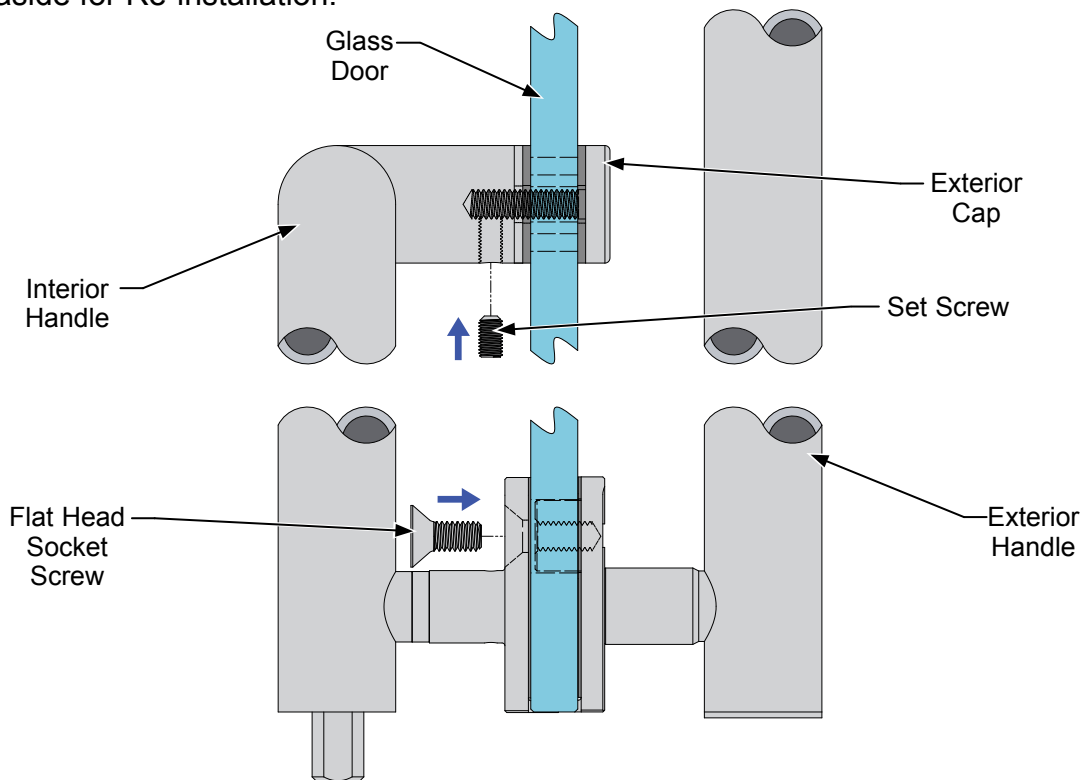
NOTE: Modifications, other than those specified in this document, could result in failure to meet UL safety ratings and void the manufacturer's warranties.

REMOVE THE INTERIOR HANDLE FROM THE DOOR

Please proceed with the following steps to remove the interior handle from the door.



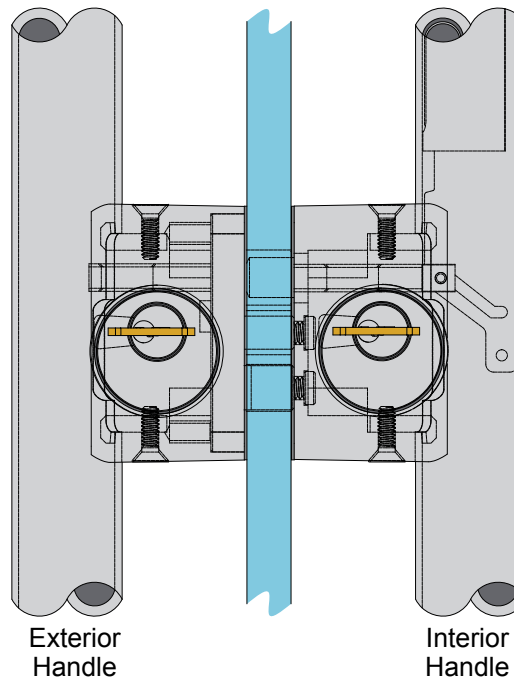
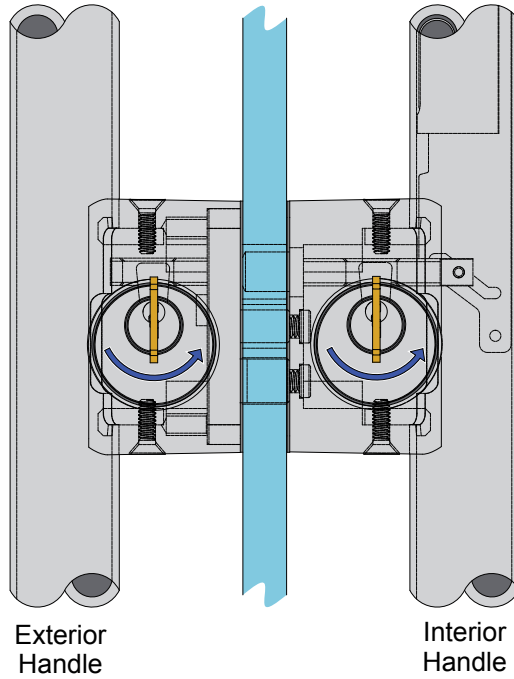
1. Remove the Flat Head Socket Screw, Set Screw and the Exterior Cap from the Interior Handle and put aside for Re-installation.



NOT TO SCALE

REMOVE THE INTERIOR HANDLE FROM THE DOOR

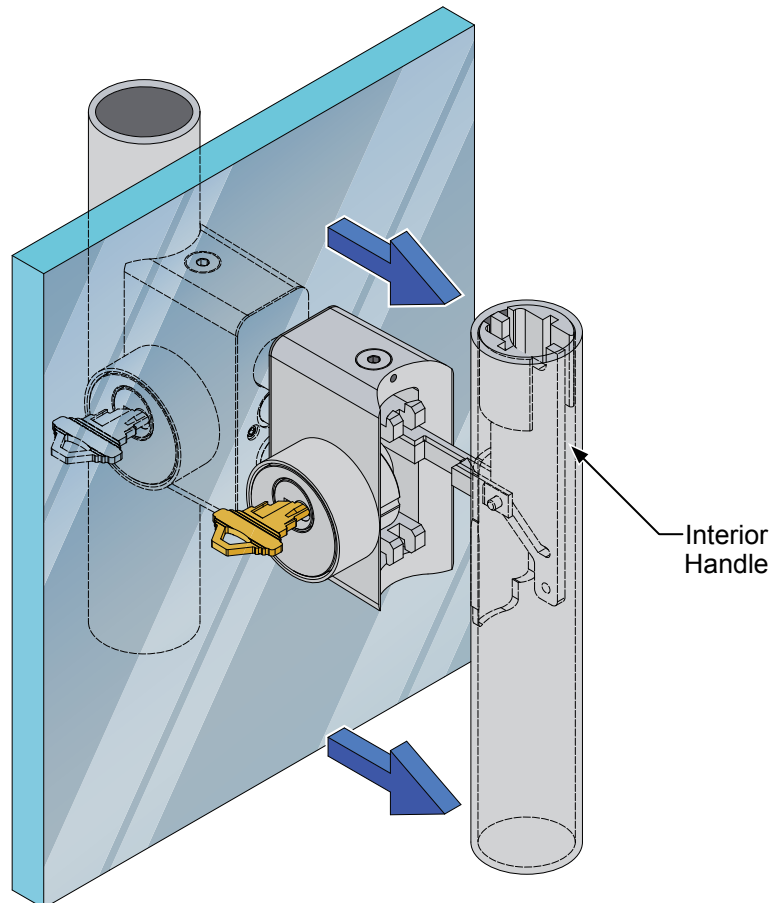
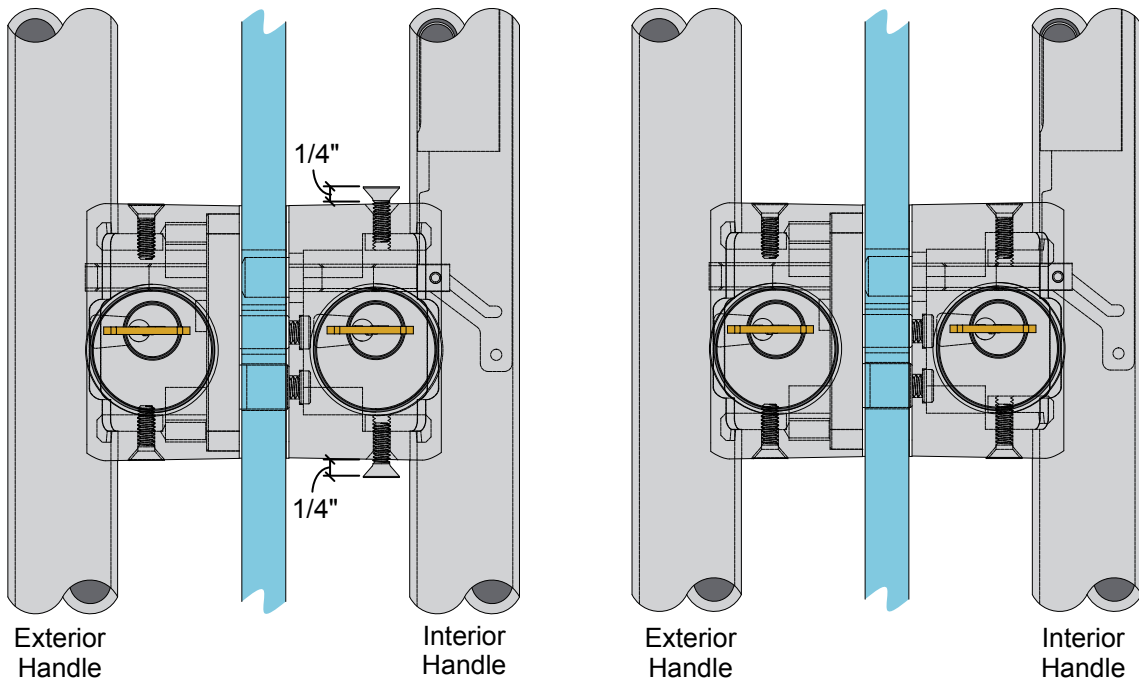
2. Simultaneously turn the Keys counter clockwise to disengage the Actuator Bar. Make sure both keys are in a horizontal position.



NOT TO SCALE

REMOVE THE INTERIOR HANDLE FROM THE DOOR

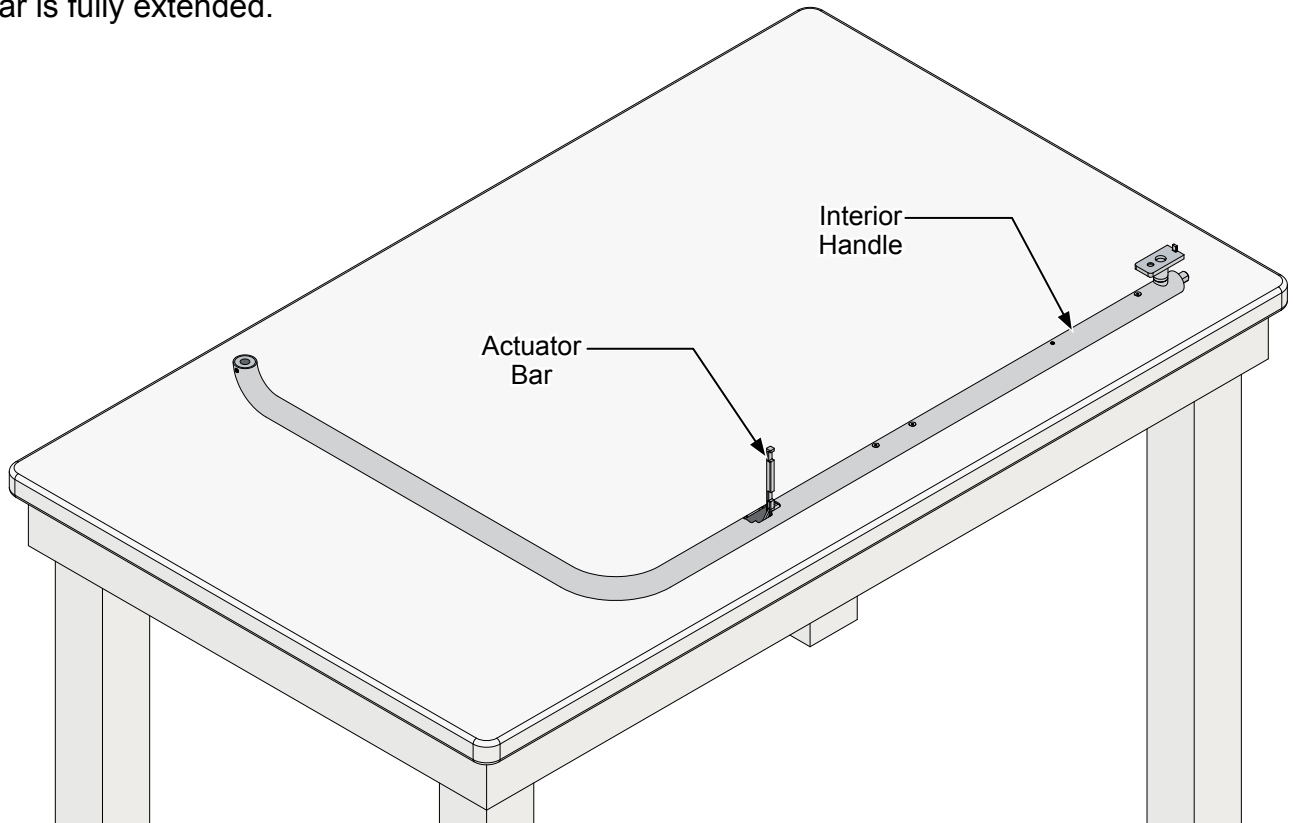
- Loosen the two Flat Head Socket Screws on the interior handle only so they protrude approximately 1/4" from the Cylinder Housing DO NOT REMOVE them, push the Screws down flush and remove the interior handle from the Door and Cylinder Housing.



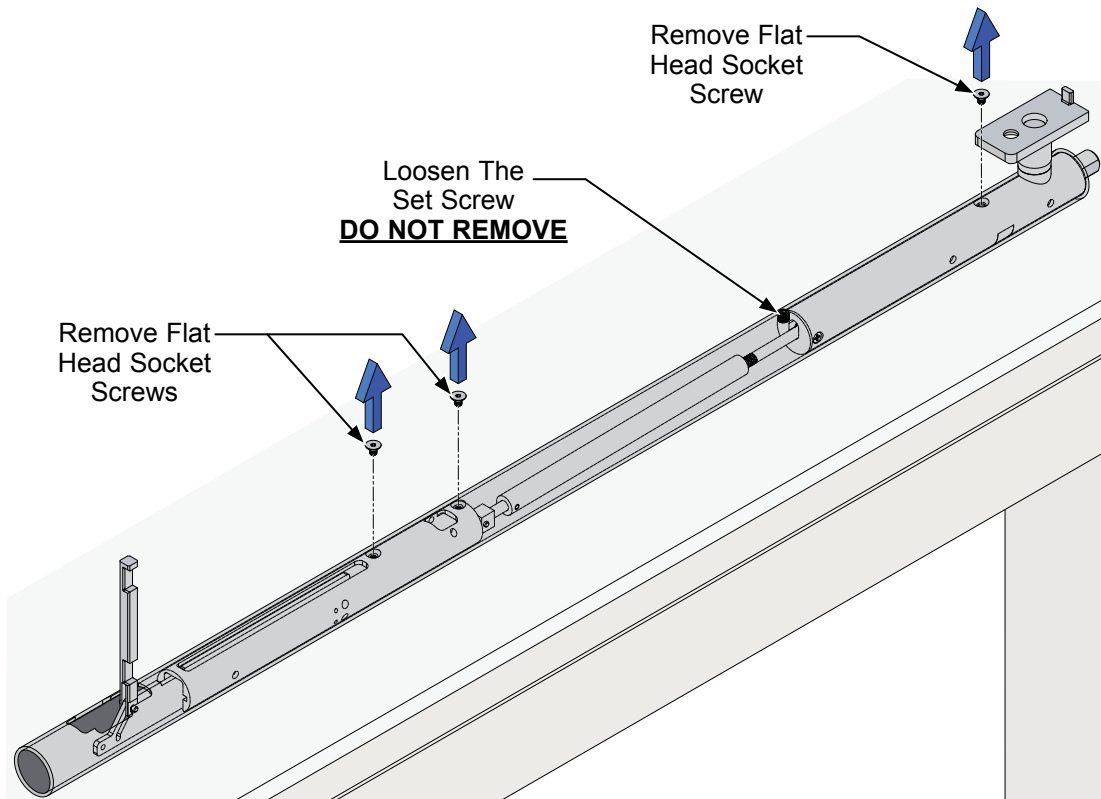
NOT TO SCALE

REMOVING THE BOTTOM COMPONENT

- Place the Interior handle horizontally on table or a flat surface and make sure that the Actuator Bar is fully extended.



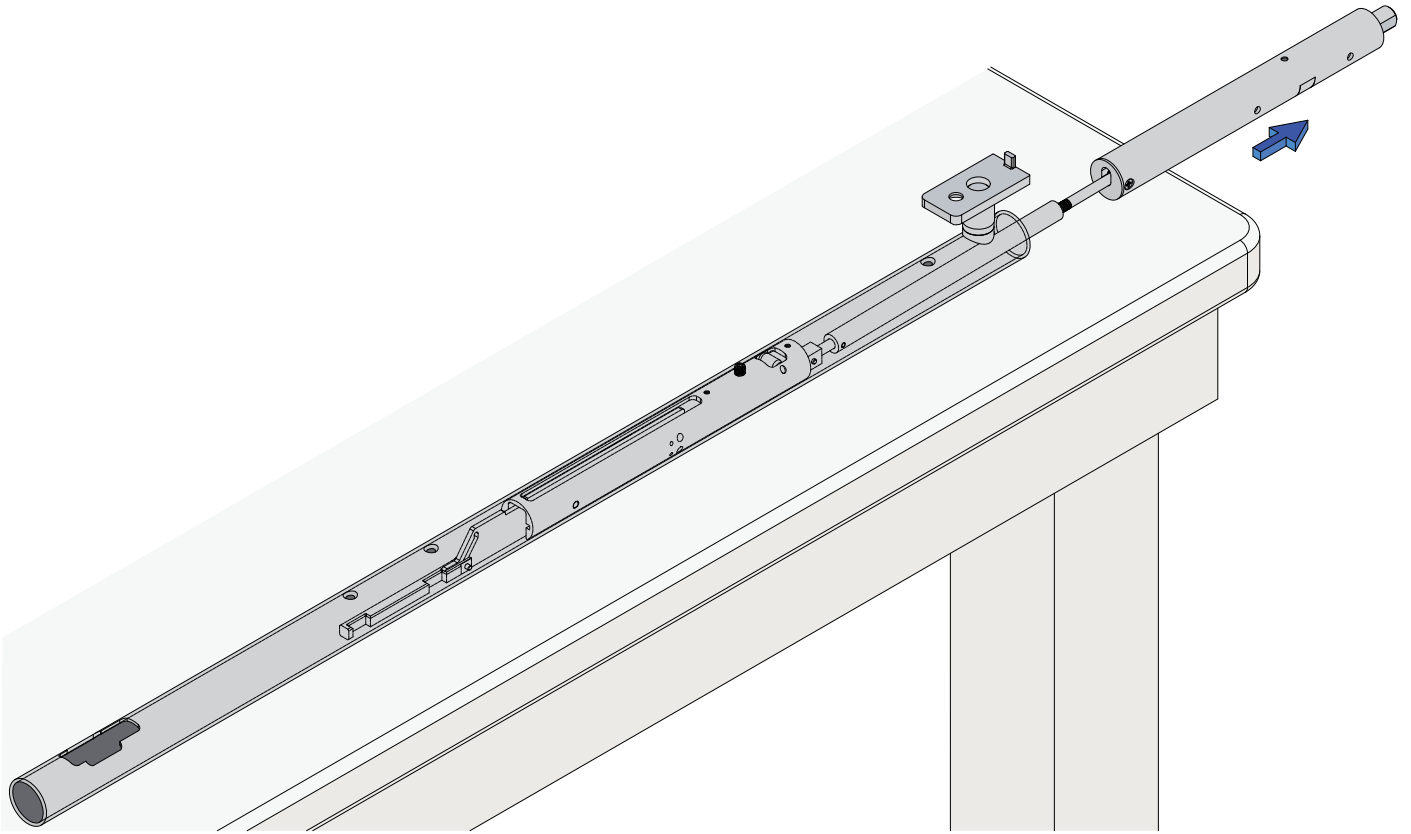
- Remove the (3) Flat Head Socket Screws. Loosen the (1) Set Screw **DO NOT REMOVE**.



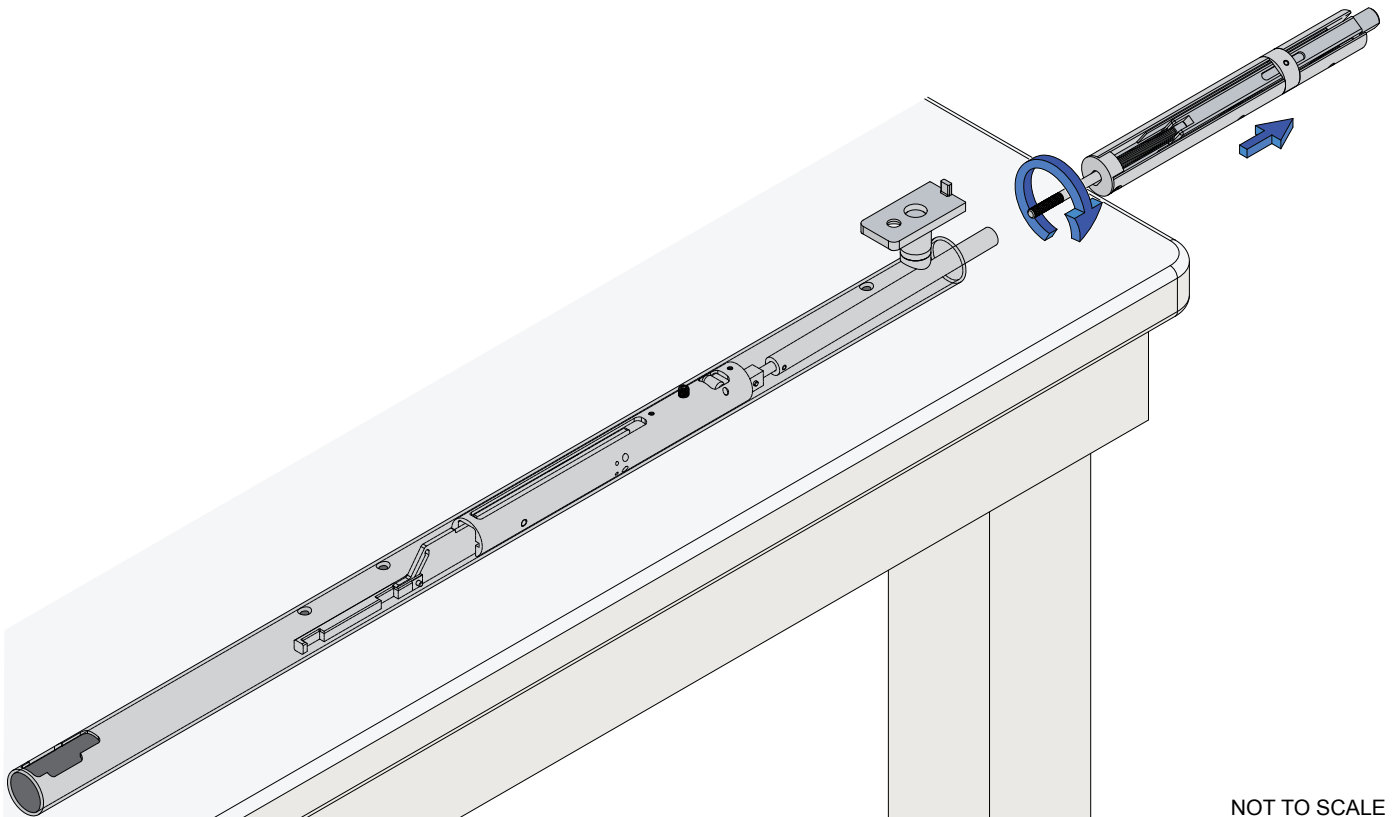
NOT TO SCALE

REMOVING THE BOTTOM COMPONENT

6. Slide the Bolt out until the threaded portion is exposed.



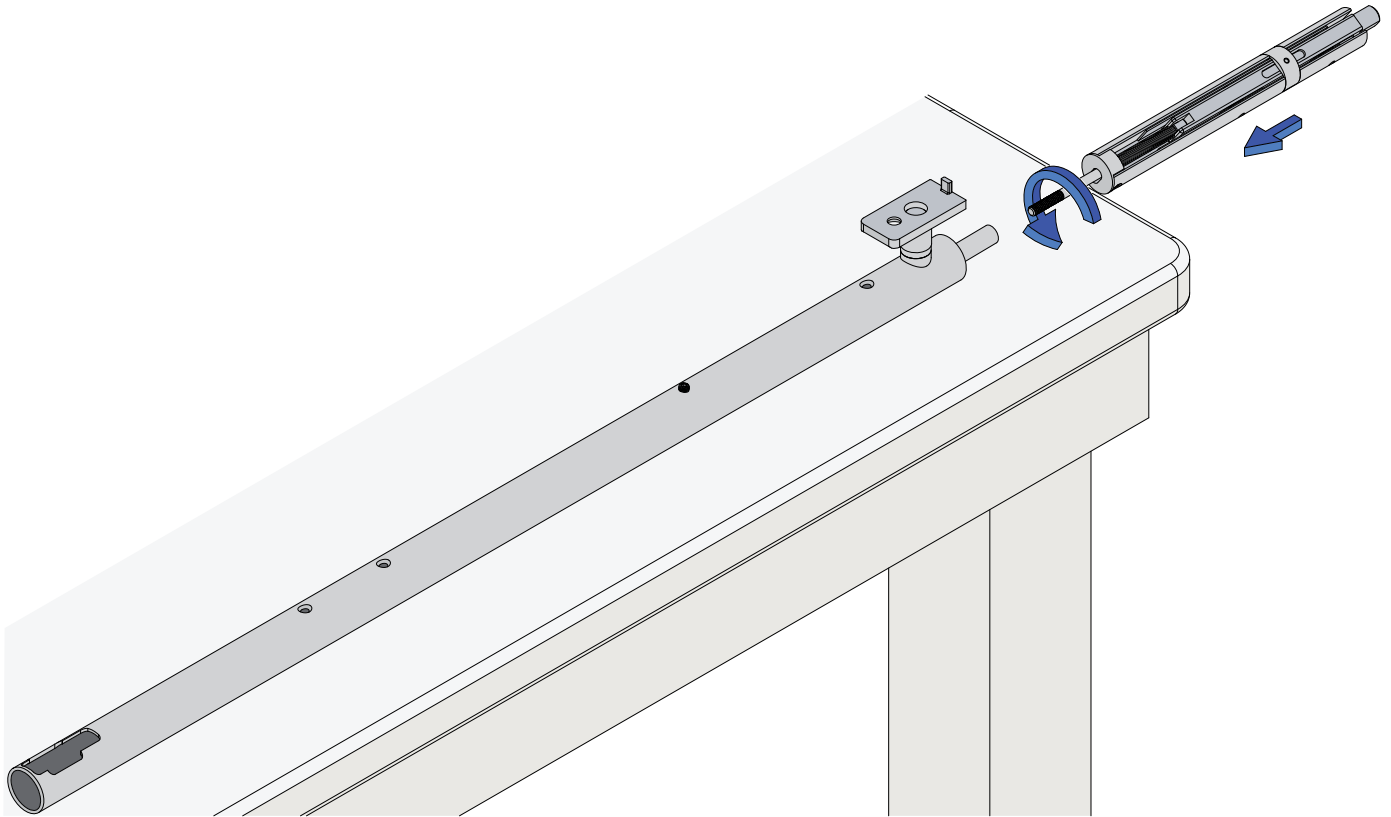
7. Unscrew and remove the Bolt from the Connection Rod .



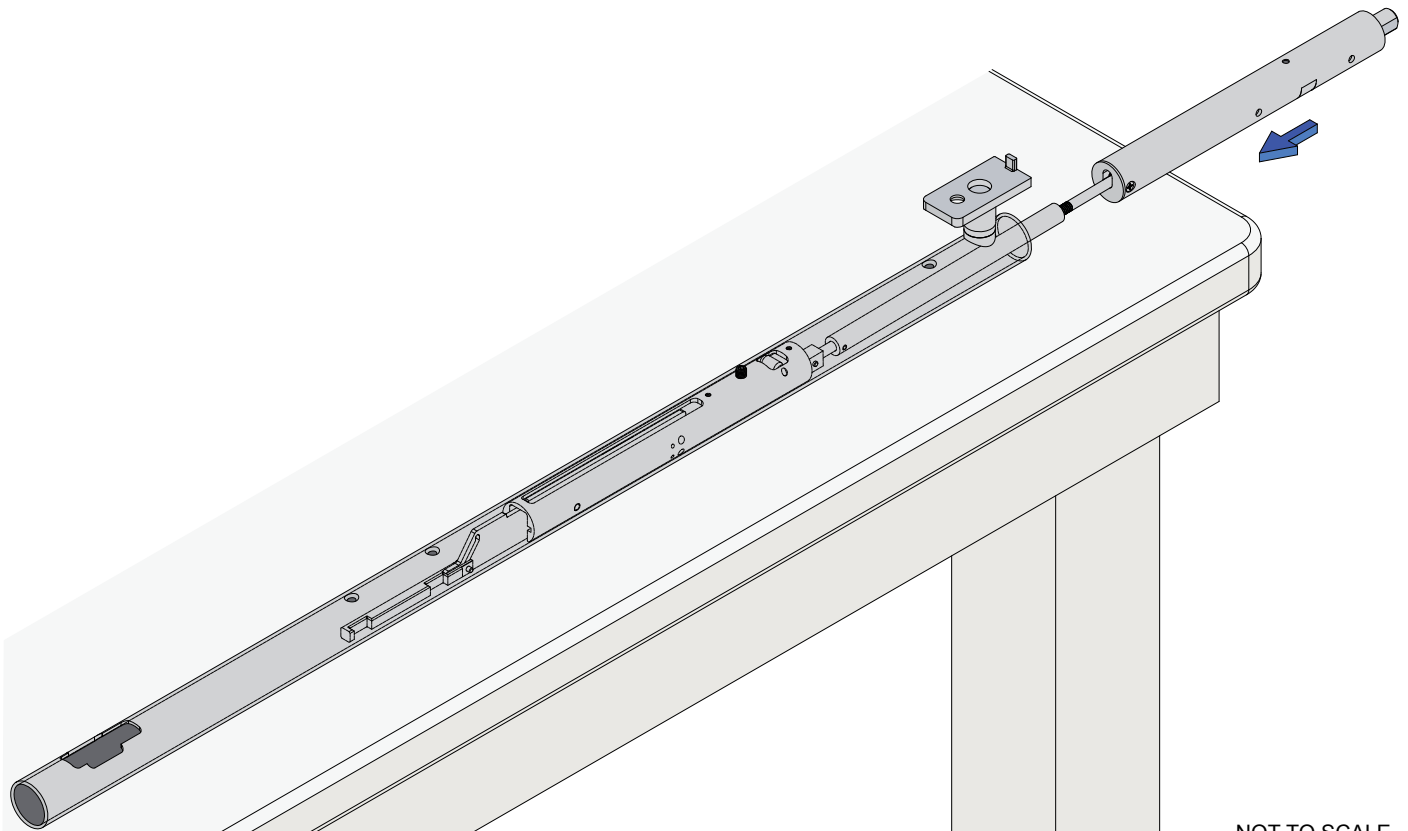
NOT TO SCALE

REPLACE THE BOTTOM COMPONENT

8. Screw the Replacement Bolt into the Connection Rod.



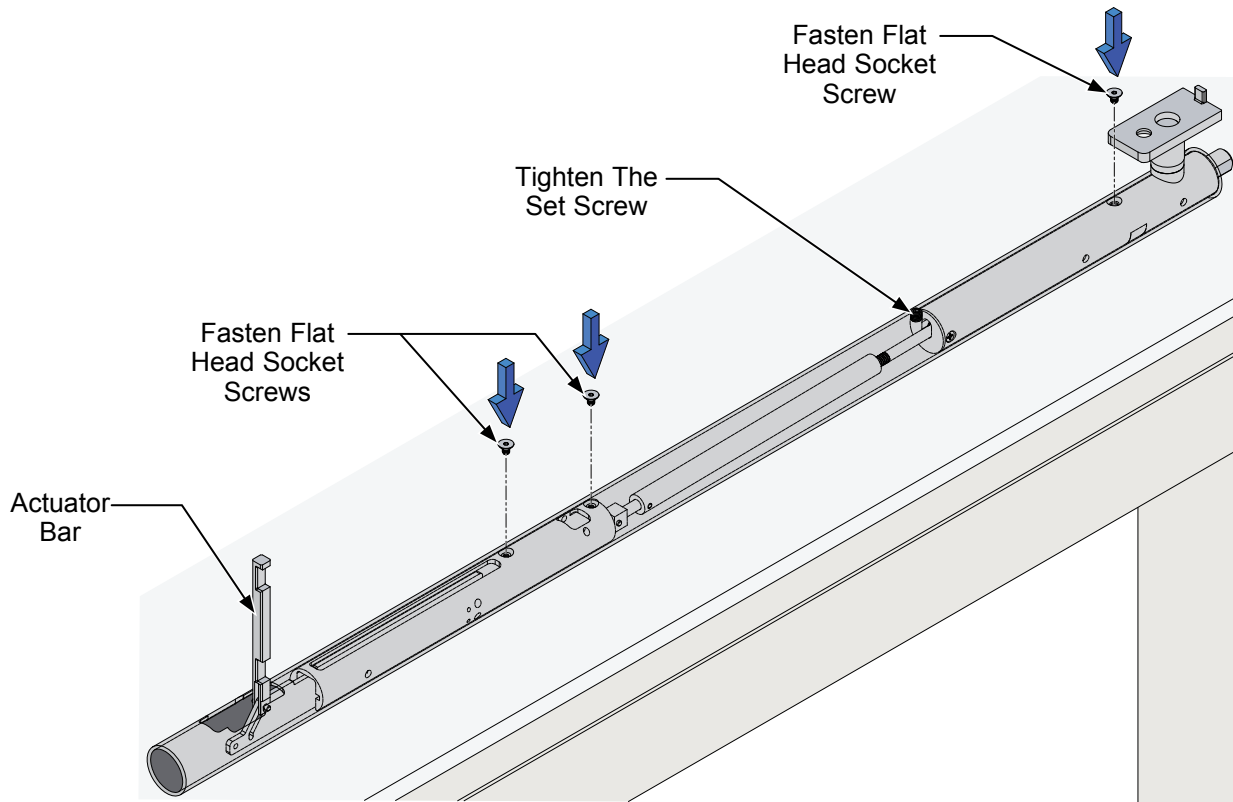
9. Slide the Bolt and Connection Rod back into the Interior Handle.



NOT TO SCALE

REPLACE THE BOTTOM COMPONENT

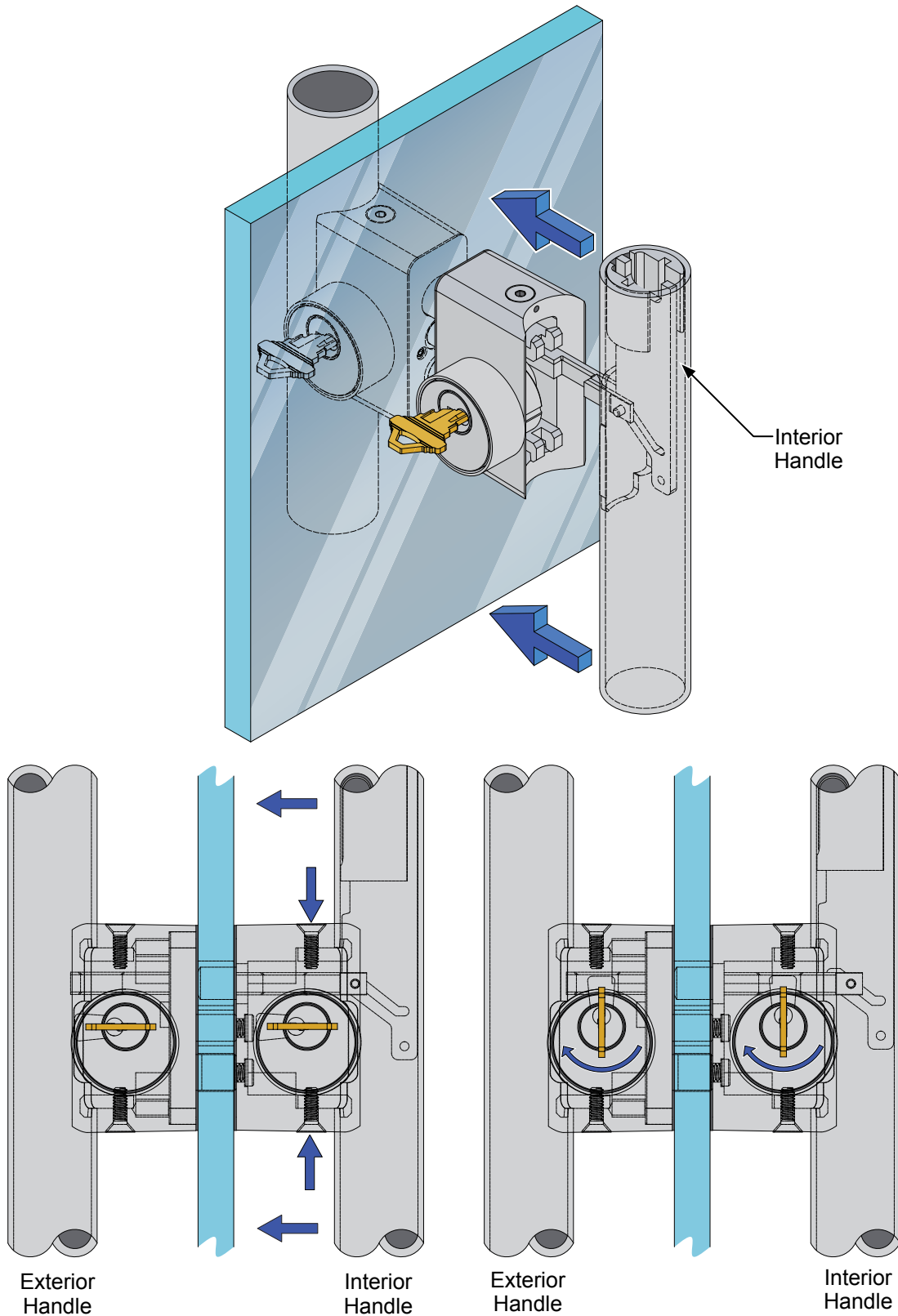
10. Pull out and fully extend the Actuator Bar. Fasten the (3) Flat Head Socket Screws to the Connection Rod and Tighten the (1) Set Screw.



NOT TO SCALE

RE-INSTALL THE INTERIOR HANDLE TO THE DOOR

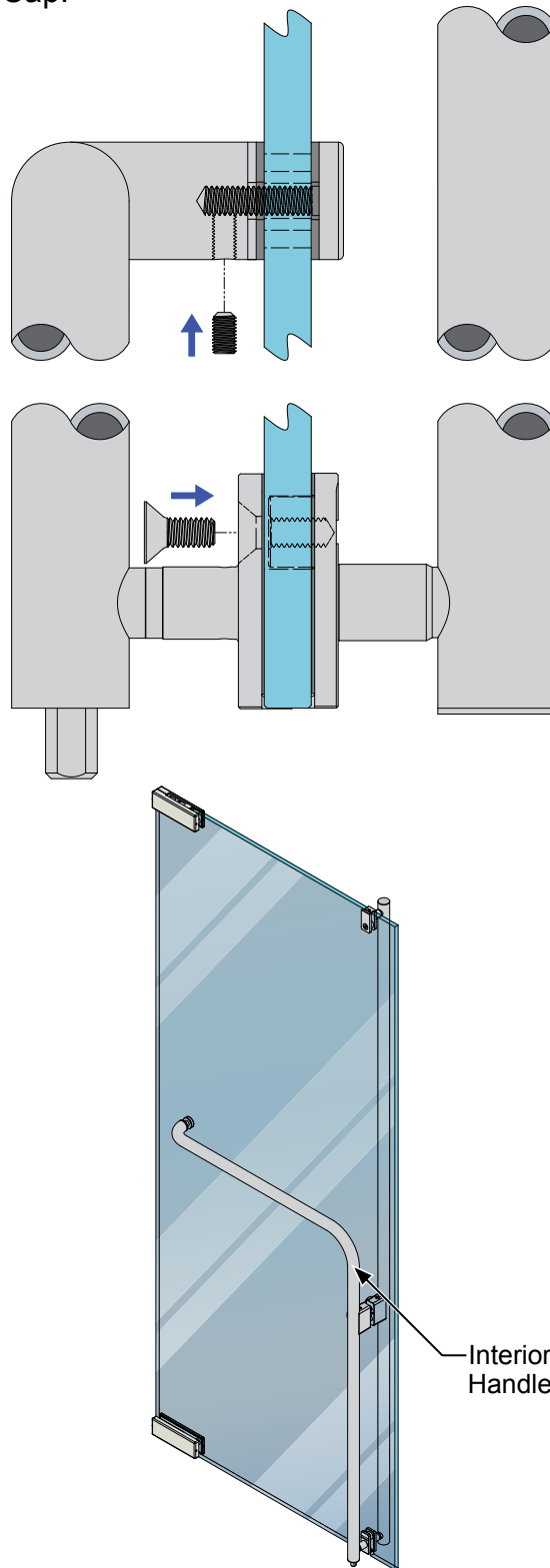
11. Push down the Flat Head Socket Screws flush and Slide the Actuator Bar back into the Cylinder Housing, re-Install the Interior Handle tighten the Screws. Simultaneously turn the Keys clockwise to engage the Actuator Bar. Make sure both keys are in a vertical position.



NOT TO SCALE

RE-INSTALL THE INTERIOR HANDLE TO THE DOOR

12. Fasten the Interior Handle onto the Exterior Handle and Door using the Flat Head Socket Screw, Set Screw and the Exterior Cap.



NOT TO SCALE

CRL DEADBOLT SERIES BOTTOM COMPONENT REPLACEMENT

This Concludes the Installation Manual for your product. We hope that this guide has been helpful. Should you need further assistance, our knowledgeable Technical Sales Department is available at no charge during regular business hours. Please have your Order Number ready before calling.



"WE'RE HERE TO HELP"
TECHNICAL SALES
1-323-588-1281

Or Visit our Websites at:
www.crlaurence.com or
www.usalum.com

Glass and Glazing AssistanceExt: 15275
Tools, Hardware, Sealants, Safety Gear, U.V., and Equipment

Architectural HardwareExt: 17700
Entrances and Storefronts, Balanced, Stacking, and Sliding Doors

Architectural and Ornamental MetalsExt: 17700
Formed Sheet Metal, Awnings, Columns, and Wall Panels

Shower DoorsExt: 17740
Hinges, Handles, Enclosures, Grab Bars, and Partitions

Transaction and HospitalityExt: 17760
Bullet Resistant, Drive Thru, Sneeze Guards, and Speak Thrus

Door and Window Control HardwareExt: 17520
Jackson Overhead Concealed Closers, Surface Closures, Locks

Blumcraft Architectural MetalsExt: 17700
Tempered Glass Doors, Panic Hardware, Glass Gates, and Baffles

U.S. AluminumExt: 15305
Storefronts, Entrances, Curtain Walls, Window Walls, and Partitions

Architectural RailingsExt: 17730
Cap, Hand, Post, Wind Screen, Base Shoe, and TaperLoc

AutomotiveExt: 17780
Automotive Glazing Supplies, Truck Sliders, and RV Windows