

# REPLACEMENT INSTRUCTIONS

## CRL DEADBOLT SERIES TOP COMPONENT REPLACEMENT



---

Phone: (800) 421-6144 • Fax: (800) 587-7501  
crlaurence.com • usalum.com • crl-arch.com

---

# ORDER OF ASSEMBLY AND INSTALLATION

INTRODUCTION/TOOLS REQUIRED ..... 03

REMOVE THE INTERIOR HANDLE FROM THE DOOR.....04-06

REMOVING THE TOP COMPONENT.....07-08

REPLACE THE TOP COMPONENT.....09-10

RE-INSTALL THE INTERIOR HANDLE TO THE DOOR.....11-12

The rapidly changing technology within the architectural aluminum products industry demands that C.R. Laurence/U.S. Aluminum reserve the right to revise, discontinue, or change any product line, specification, or electronic media without prior written notice.

**NOTE:** Dimensions in parentheses ( ) are millimeters unless otherwise noted.

# INTRODUCTION

The CRL Dead Bolt Handle System is designed to allow maximum view and a contemporary look to your doors. The CRL system meets the requirements of ANSI/BHMA A156.16 Grade 1.

---

## Tools Required

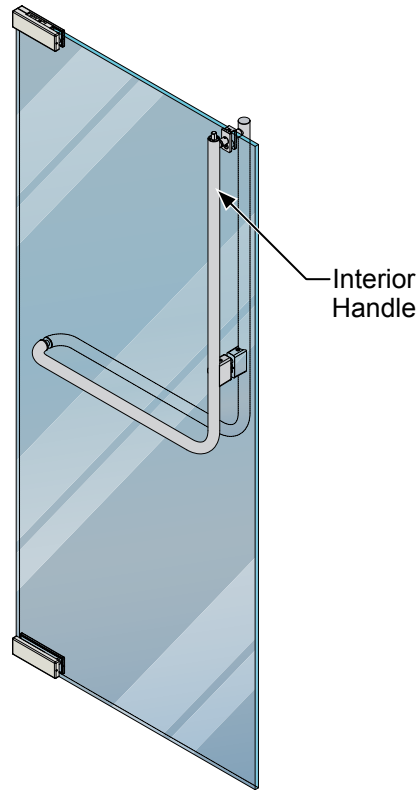
Saw Horses or Table

Allen Wrench Set

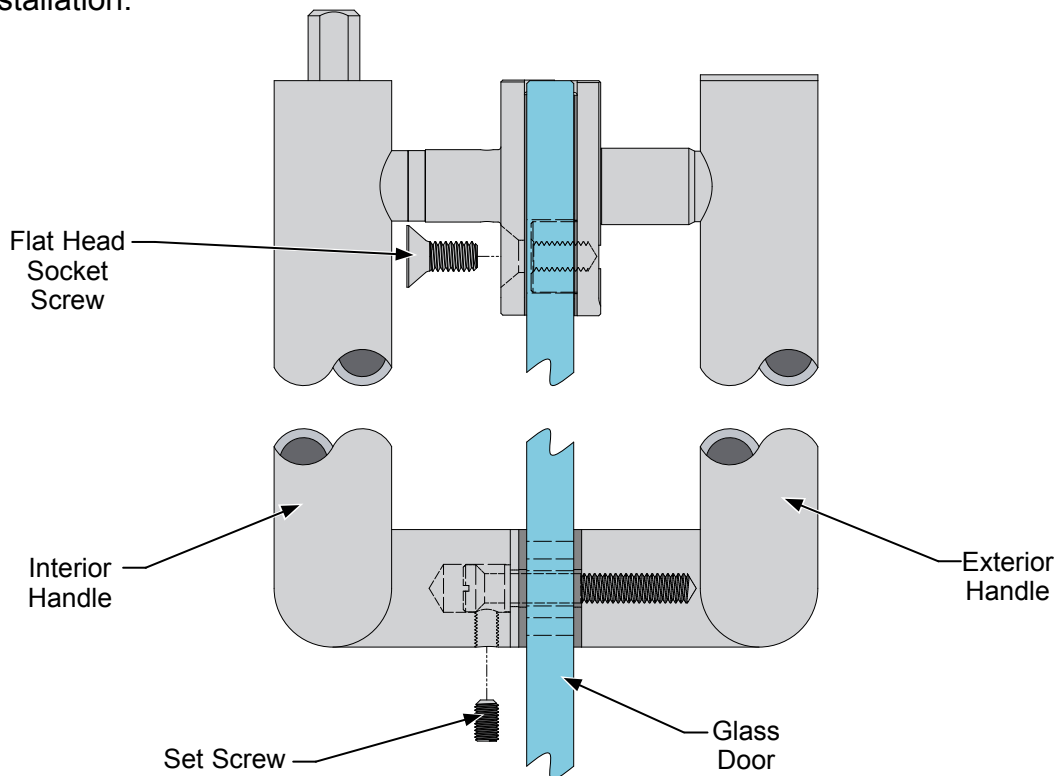
**NOTE:** Modifications, other than those specified in this document, could result in failure to meet UL safety ratings and void the manufacturer's warranties.

## REMOVE THE INTERIOR HANDLE FROM THE DOOR

Please proceed with the following steps to remove the interior handle from the door.



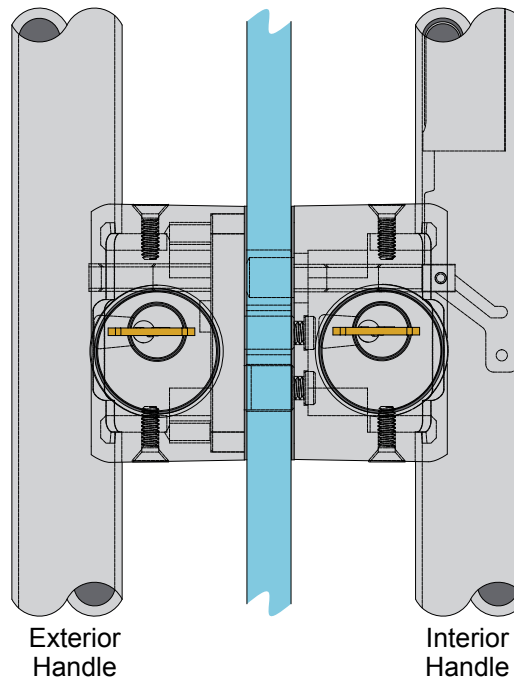
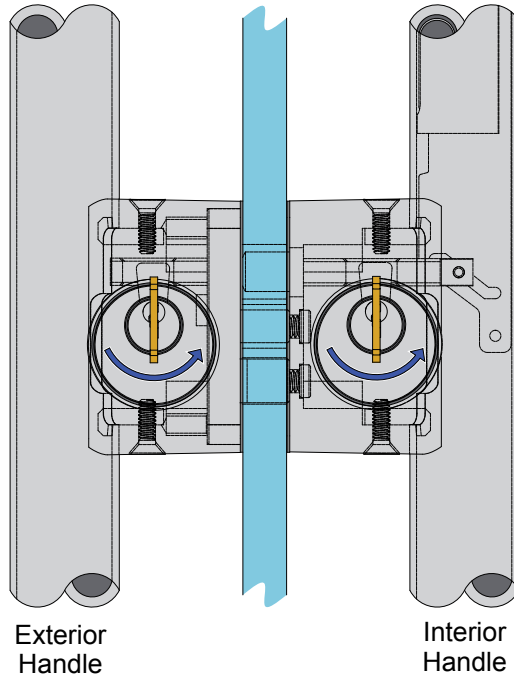
1. Remove the Flat Head Socket Screw and the Set Screw from the Interior Handle and put aside for Re-installation.



NOT TO SCALE

## REMOVE THE INTERIOR HANDLE FROM THE DOOR

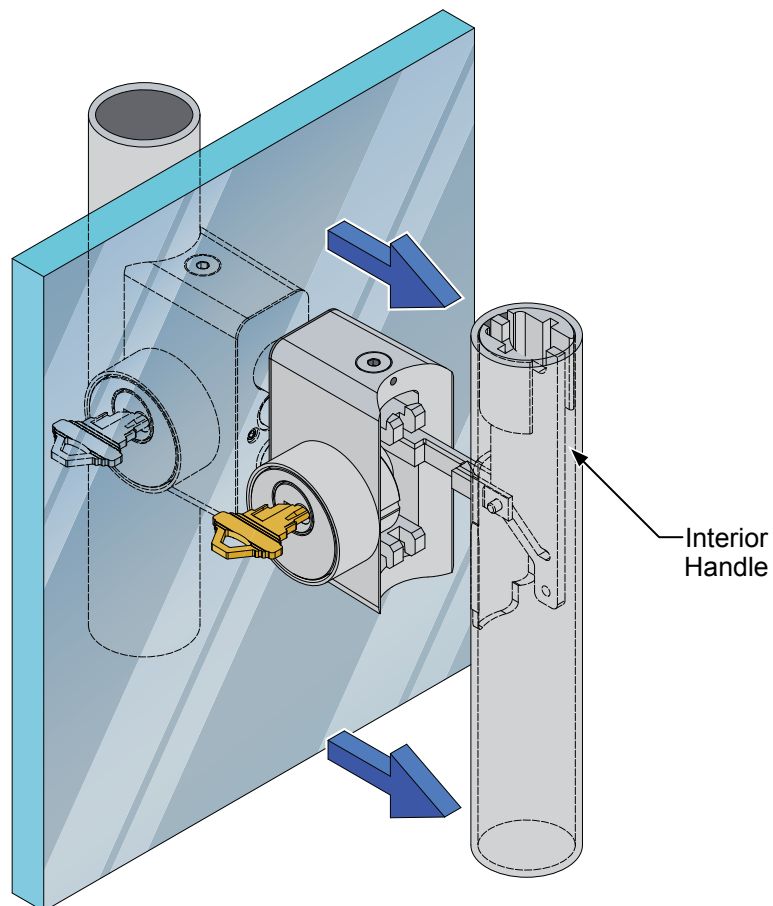
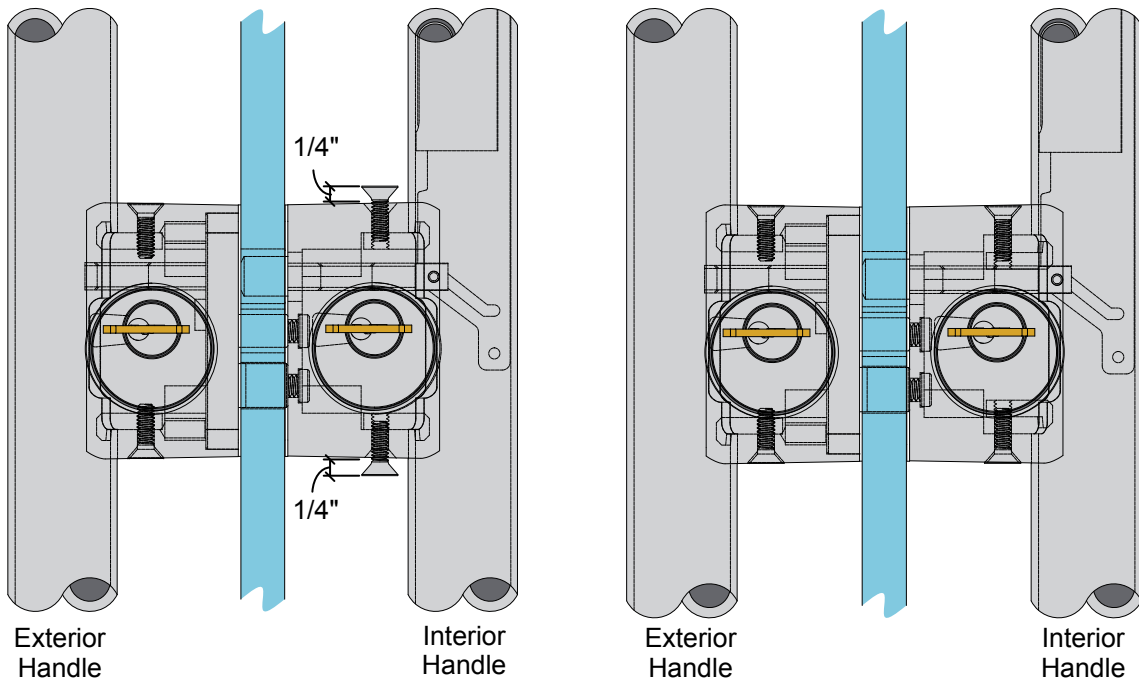
2. Simultaneously turn the Keys counter clockwise to disengage the Actuator Bar. Make sure both keys are in a horizontal position.



NOT TO SCALE

## REMOVE THE INTERIOR HANDLE FROM THE DOOR

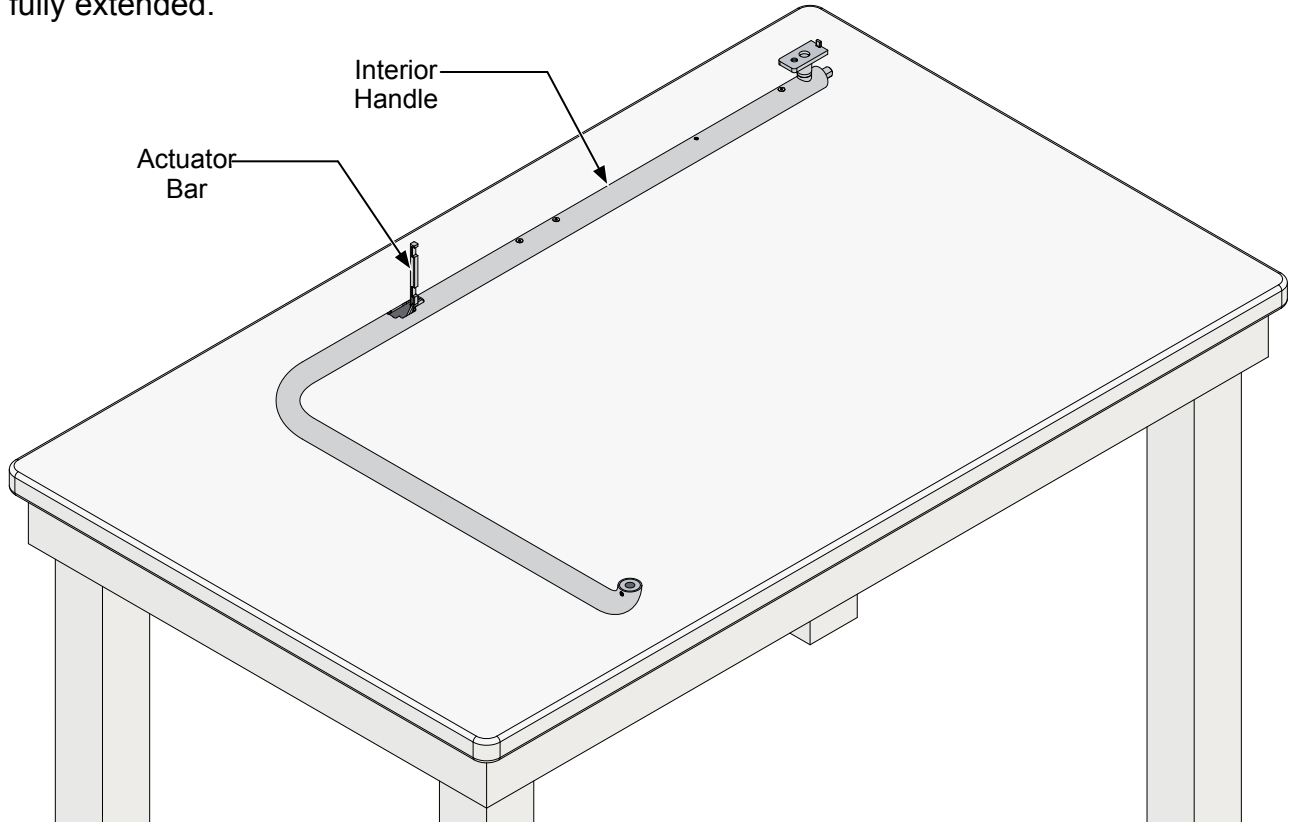
- Loosen the two Flat Head Socket Screws on the interior handle only so they protrude approximately 1/4" from the Cylinder Housing DO NOT REMOVE them, push the Screws down flush and remove the interior handle from the Door and Cylinder Housing.



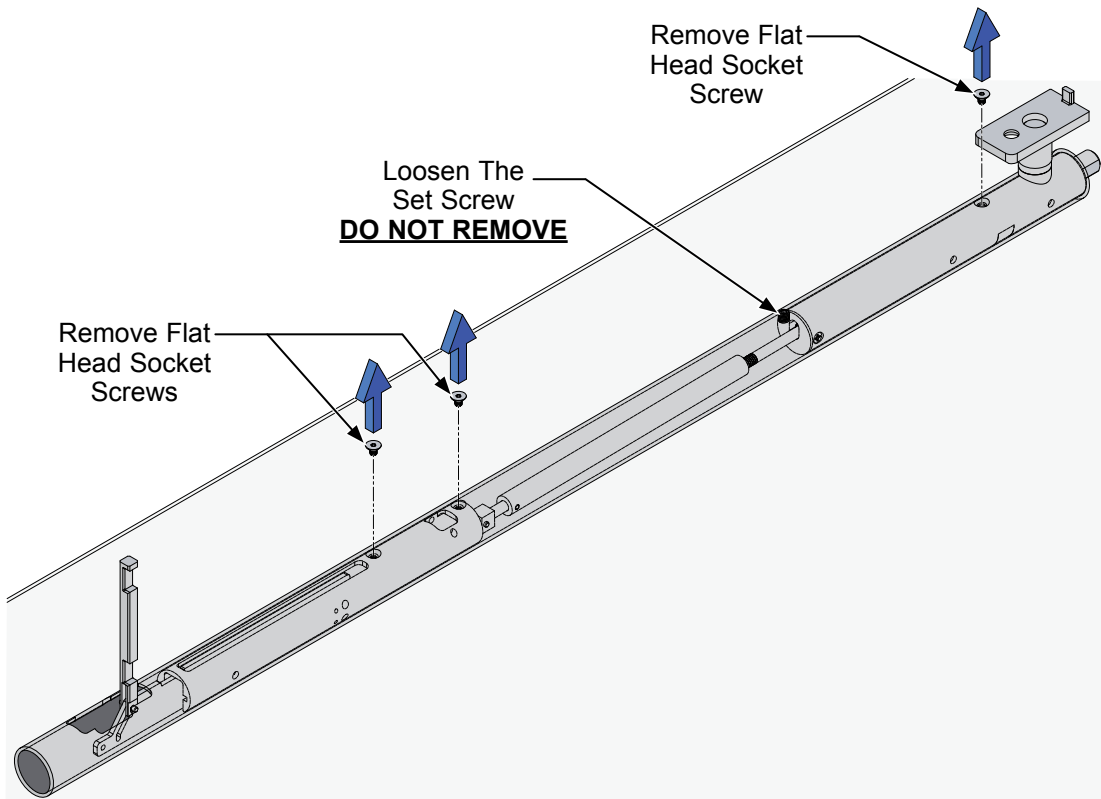
NOT TO SCALE

## REMOVING THE TOP COMPONENT

4. Place the Interior handle horizontally on table or a flat surface and make sure the Actuator Bar is fully extended.



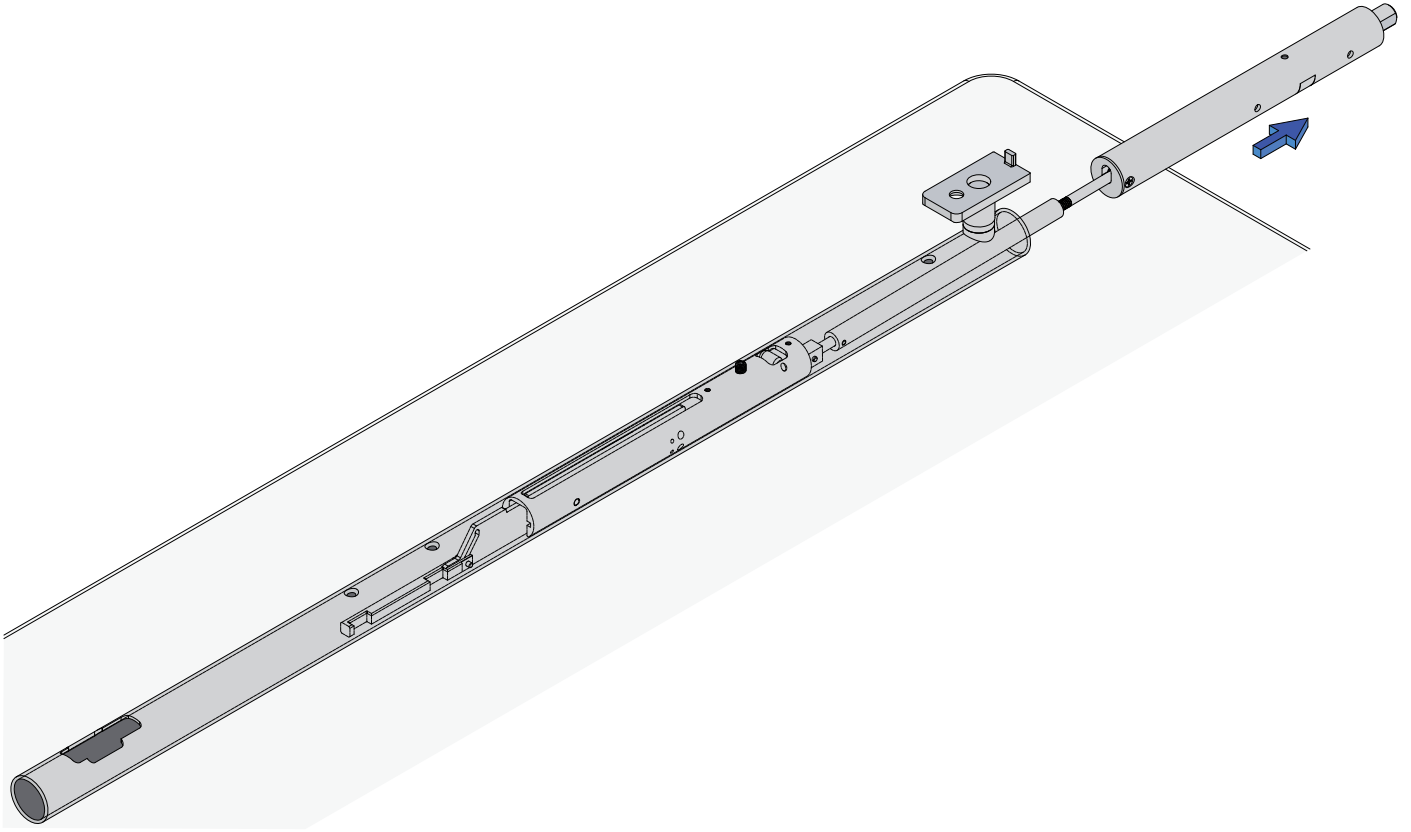
5. Remove the (3) Flat Head Socket Screws. Loosen the (1) Set Screw **DO NOT REMOVE**.



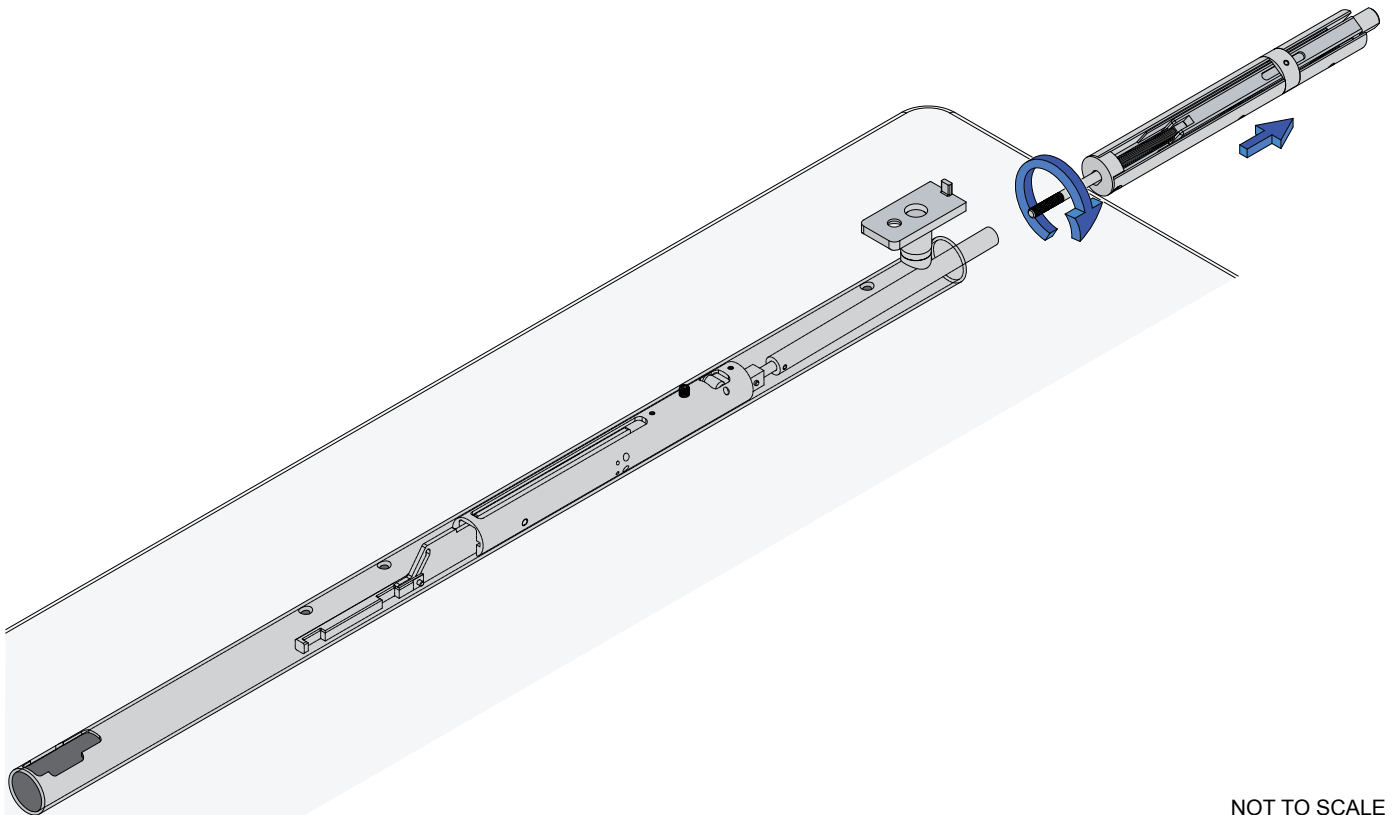
NOT TO SCALE

## REMOVING THE TOP COMPONENT

6. Slide the Bolt out until the threaded portion is exposed.



7. Unscrew and remove the Bolt from the Connection Rod .

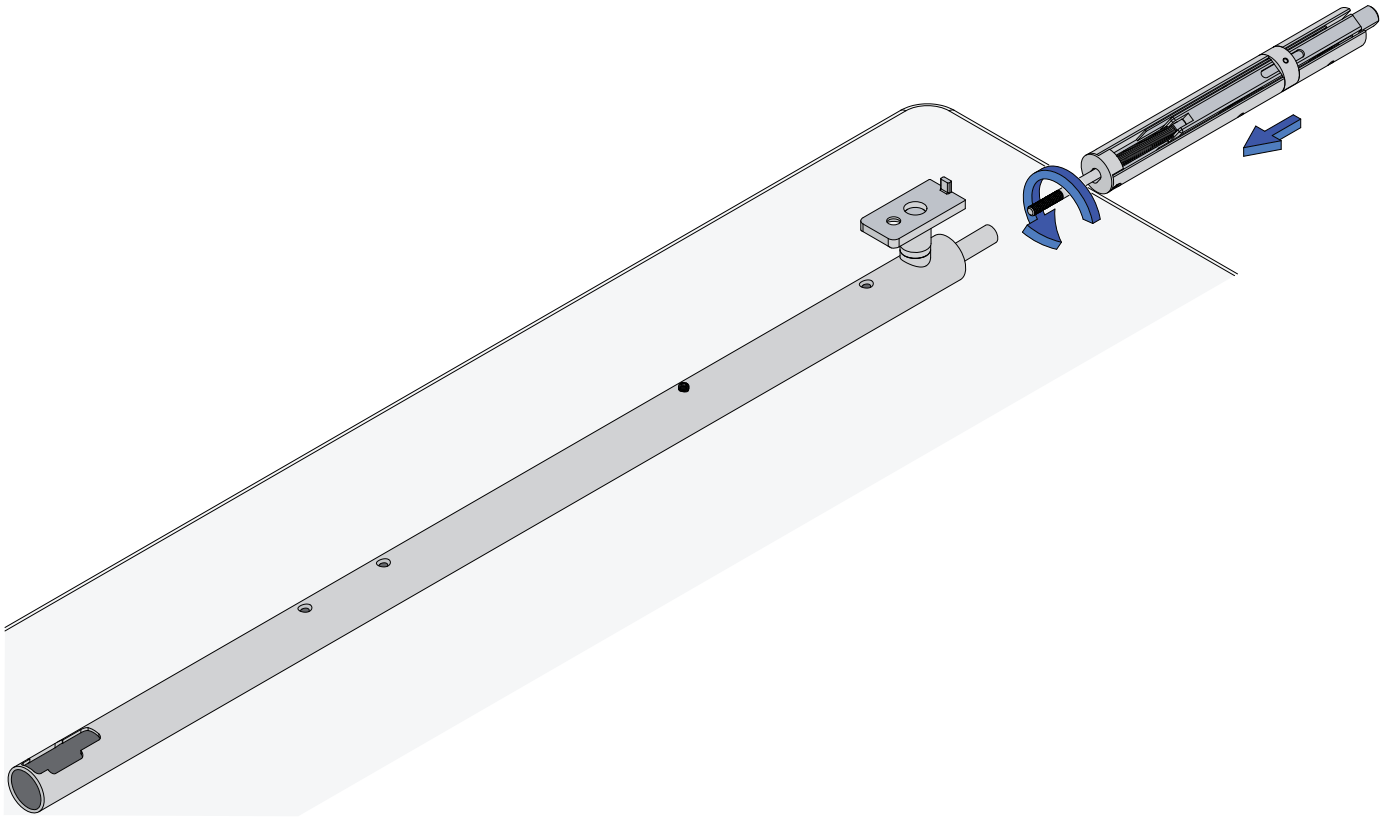


NOT TO SCALE

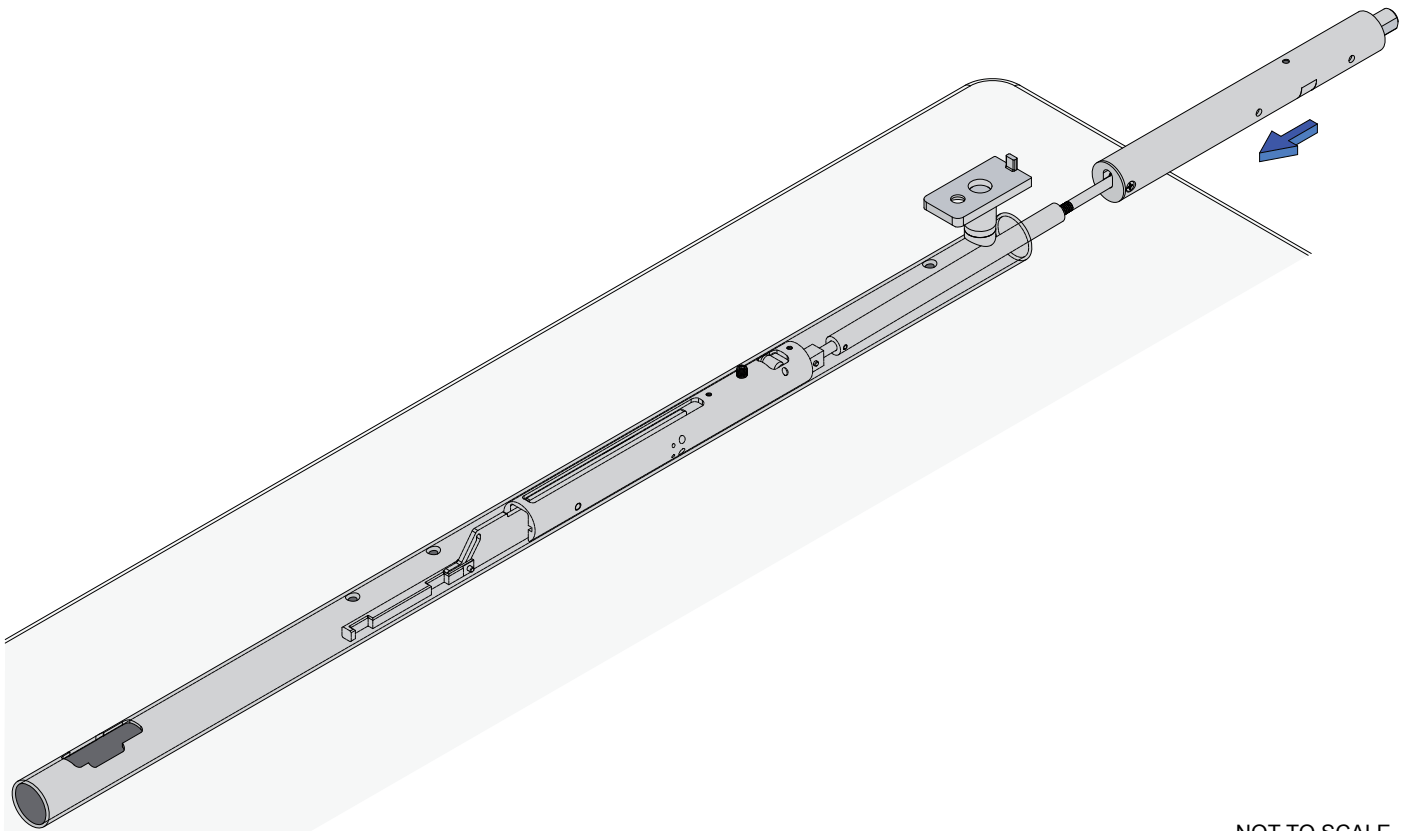


## REPLACE THE TOP COMPONENT

8. Screw the Replacement Bolt into the Connection Rod.



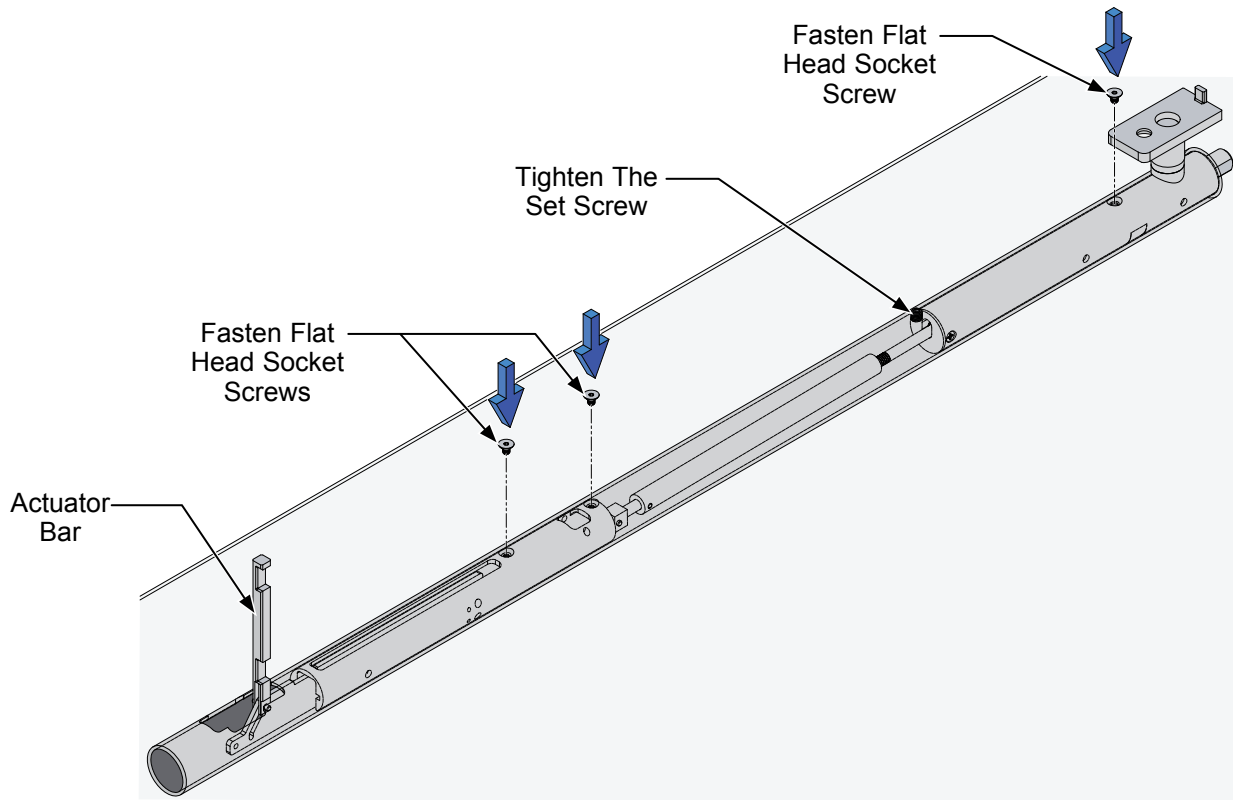
9. Slide the Bolt and Connection Rod back into the Interior Handle.



NOT TO SCALE

## REPLACE THE TOP COMPONENT

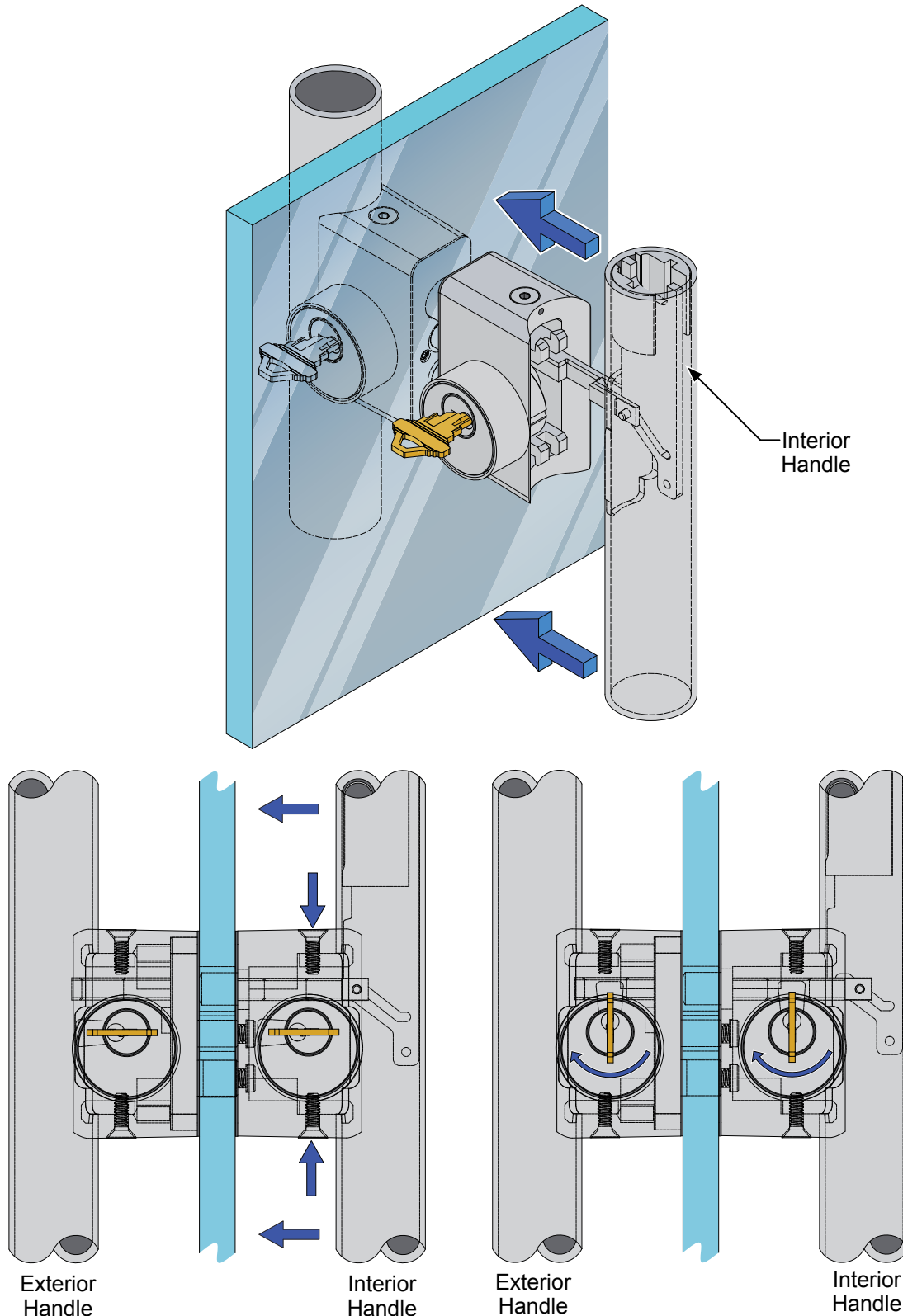
10. Pull out and fully extend the Actuator Bar. Fasten the (3) Flat Head Socket Screws to the Connection Rod and Tighten the (1) Set Screw.



NOT TO SCALE

## RE-INSTALL THE INTERIOR HANDLE TO THE DOOR

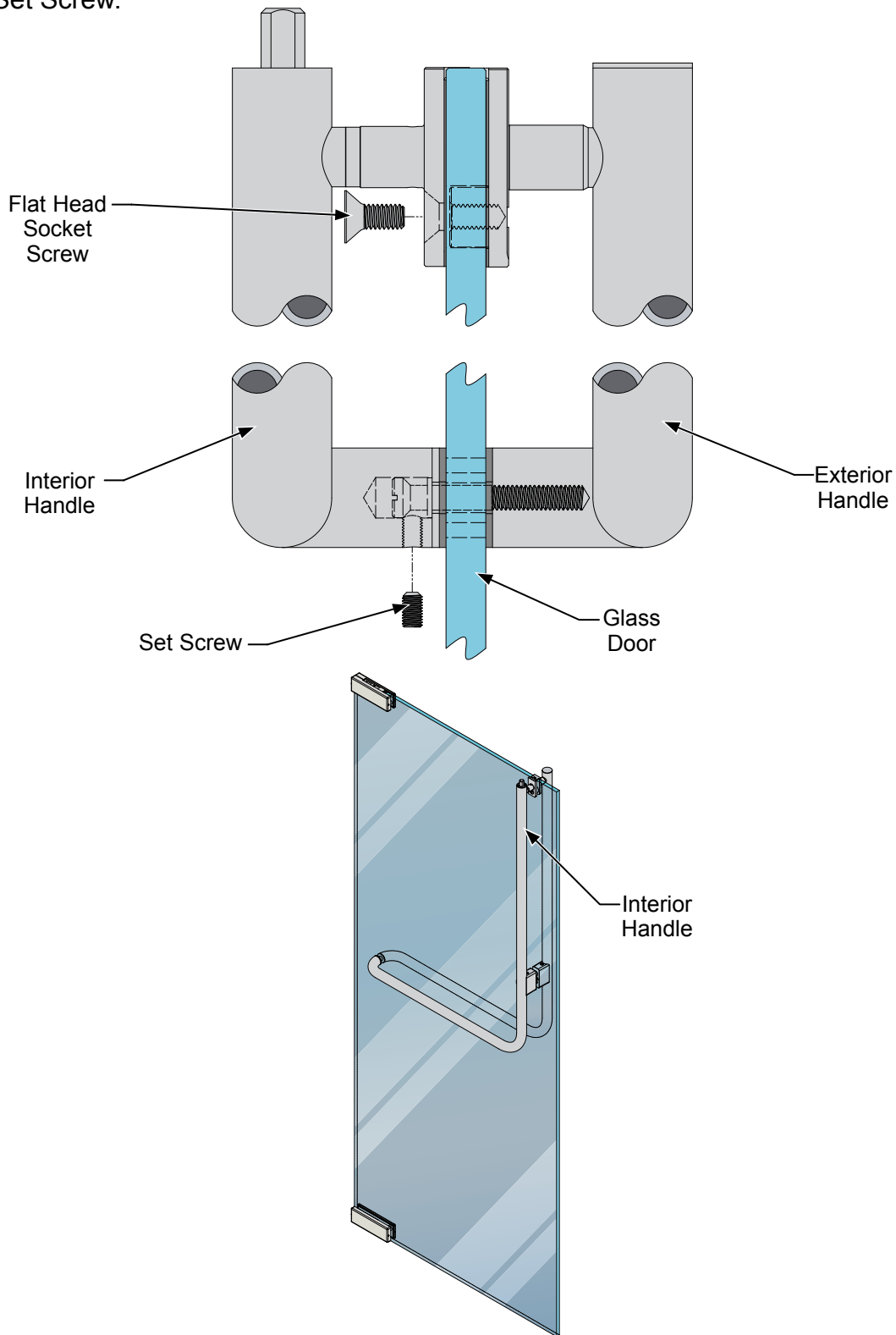
11. Push down the Flat Head Socket Screws flush and Slide the Actuator Bar back into the Cylinder Housing, re-Install the Interior Handle tighten the Screws. Simultaneously turn the Keys clockwise to engage the Actuator Bar. Make sure both keys are in a vertical position.



NOT TO SCALE

## RE-INSTALL THE INTERIOR HANDLE TO THE DOOR

12. Fasten the Interior Handle onto the Exterior Handle and Door using the Flat Head Socket Screw and the Set Screw.



NOT TO SCALE

## CRL DEADBOLT SERIES TOP COMPONENT REPLACEMENT

---

This Concludes the Installation Manual for your product. We hope that this guide has been helpful. Should you need further assistance, our knowledgeable Technical Sales Department is available at no charge during regular business hours. Please have your Order Number ready before calling.



"WE'RE HERE TO HELP"  
**TECHNICAL SALES**  
1-323-588-1281

Or Visit our Websites at:  
**www.crlaurence.com** or  
**www.usalum.com**

**Glass and Glazing Assistance** .....Ext: 15275  
Tools, Hardware, Sealants, Safety Gear, U.V., and Equipment

**Architectural Hardware** .....Ext: 17700  
Entrances and Storefronts, Balanced, Stacking, and Sliding Doors

**Architectural and Ornamental Metals** .....Ext: 17700  
Formed Sheet Metal, Awnings, Columns, and Wall Panels

**Shower Doors** .....Ext: 17740  
Hinges, Handles, Enclosures, Grab Bars, and Partitions

**Transaction and Hospitality** .....Ext: 17760  
Bullet Resistant, Drive Thru, Sneeze Guards, and Speak Thrus

**Door and Window Control Hardware** .....Ext: 17520  
Jackson Overhead Concealed Closers, Surface Closures, Locks

**Blumcraft Architectural Metals** .....Ext: 17700  
Tempered Glass Doors, Panic Hardware, Glass Gates, and Baffles

**U.S. Aluminum** .....Ext: 15305  
Storefronts, Entrances, Curtain Walls, Window Walls, and Partitions

**Architectural Railings** .....Ext: 17730  
Cap, Hand, Post, Wind Screen, Base Shoe, and TaperLoc

**Automotive** .....Ext: 17780  
Automotive Glazing Supplies, Truck Sliders, and RV Windows