

CRL AWS Standard Aluminum Windscreen System

Unlike other glass wind wall systems, the AWS Standard Aluminum Windscreen System keeps all aluminum out of contact with concrete. The lime in concrete is very corrosive to aluminum, and over time will degrade the physical properties of the components. The AWS Standard System utilizes a painted steel embedment that supports the vertical post and eliminates the possibility of damaging corrosion.

An added benefit of the steel embed is that the contractor can install the steel components early in the construction process, then install the painted aluminum post later when the chances of damage by other tradesmen are greatly reduced. These are strong attributes of the AWS System, and have a real value to the builder and homeowner.

Another benefit of the AWS System is the fact that it was designed to be a wind wall system that is very aesthetically pleasing. Because of the great design and the interaction with the steel insert, AWS has enhanced structural properties. Our system allows for increased height and span abilities.

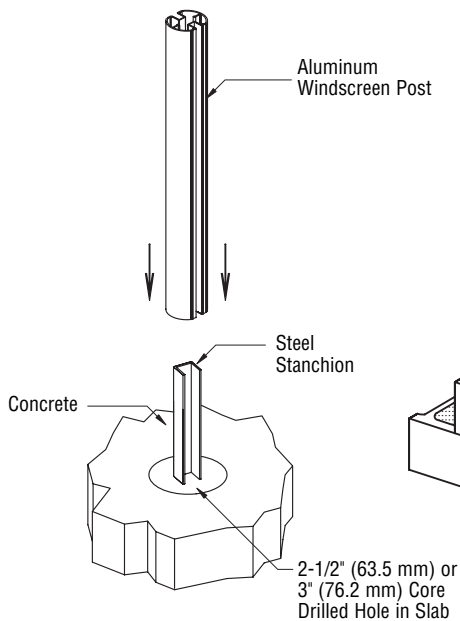
The AWS design also solved the problem of glazing vinyl shrinking and falling out over time, creating liabilities for all parties involved. The AWS glazing channel is a one-piece co-extrusion that cannot fall out once the glass is installed. This glazing channel is faster and easier to install than typical glazing beads, and simplifies the glass installation.

For additional information, contact CRL Technical Sales at (800) 421-6144 in the U.S., or (877) 421-6144 from Canada, and ask for Ext. 7730. You can also e-mail us through our web site at crlaurence.com. From the home page click on Contact Us, and then click on Technical Sales.

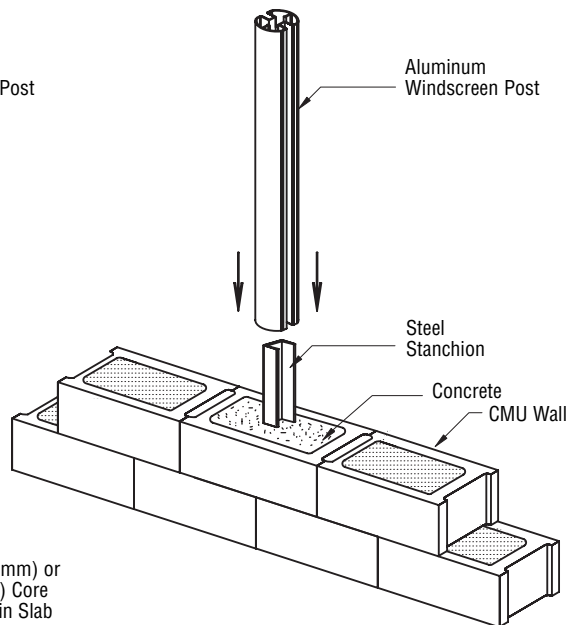


TYPICAL MOUNTING OPTIONS

**Core Mounted Installation
for a Concrete Slab**



**Core Mounted Installation
for CMU Block Walls**



**Surface Mounted Installation
for a Concrete Slab**

