



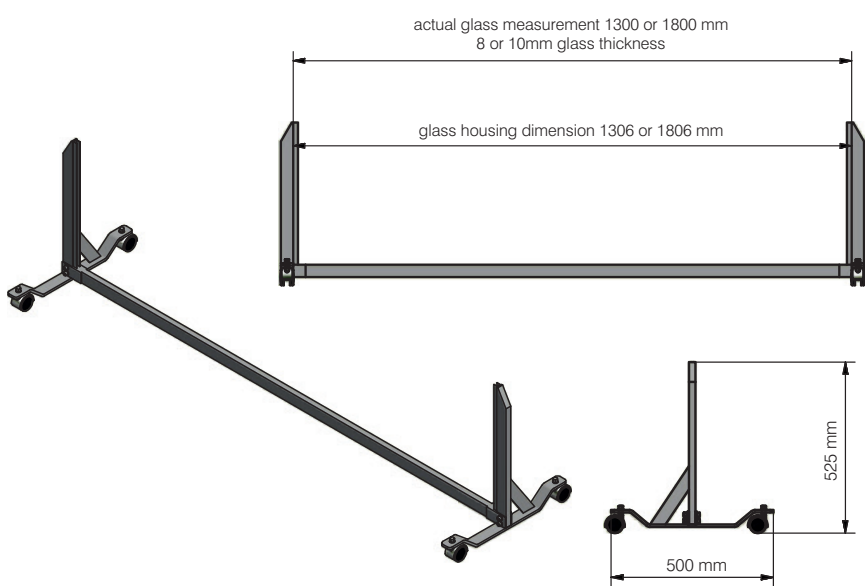
CRL FSMS SERIES

FLOOR SUPPORTED MOVEABLE SCREENS

Base Supported Screen Features

- Pivoting wheels for easier manoeuvrability
- Safety brake on wheels
- Supports glass widths of 1300 mm or 1800 mm
- For a glass thickness of 8 mm or 10 mm
- For glass with a maximum height of 1.8 m
- Suitable for Laminated Glass
- No fabrication required
- Matt Silver, black and white lacquered finishes

CAT. NO.	SCREEN WIDTH	FINISH
FSMS1300MW	1300mm	White
FSMS1300MBL	1300mm	Black
FSMS1300MS	1300mm	Matt Silver
FSMS1800MW	1800mm	White
FSMS1800MBL	1800mm	Black
FSMS1800MS	1800mm	Matt Silver



For information call FREE on 00 800 0421 6144

e: CRL@crlaurence.co.uk f: 00 800 0262 3299 w: crlaurence.co.uk



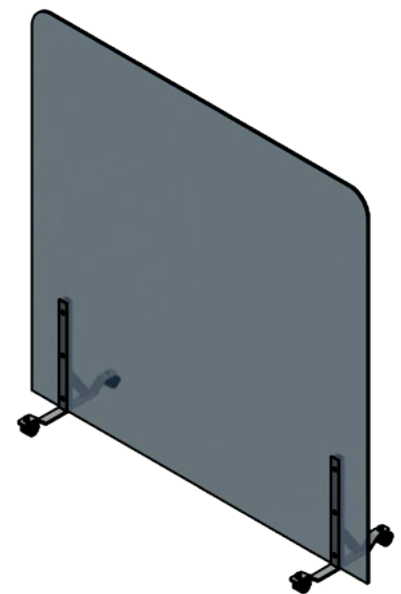
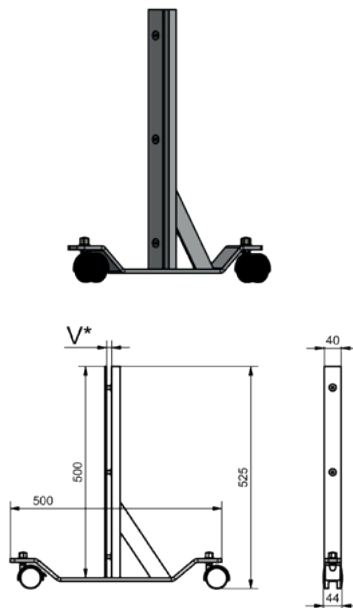


CRL FSMS SERIES

FLOOR SUPPORTED MOVEABLE SCREENS

Glass Clamp Screen - Features

- Pivoting wheels for easier manoeuvrability
- Safety brake on wheels
- For a glass thickness of 6 mm or 10 mm
- For glass with a maximum height of 1.8 m
- Supports maximum glass width of 2000 mm
- For Tempered or Tempered Laminated Glass
- Glass fabrication required
- Matt Silver, black and white lacquered finishes



CAT. NO.	SCREEN HEIGHT	FINISH
FMSGCMW	1800mm	White
FMSGCMBL	1800mm	Black
FMSGCMLS	1800mm	Matt Silver

For information call FREE on 00 800 0421 6144

e: CRL@crlaurence.co.uk f: 00 800 0262 3299 w: crlaurence.co.uk

CRL[®]
A CRH COMPANY