



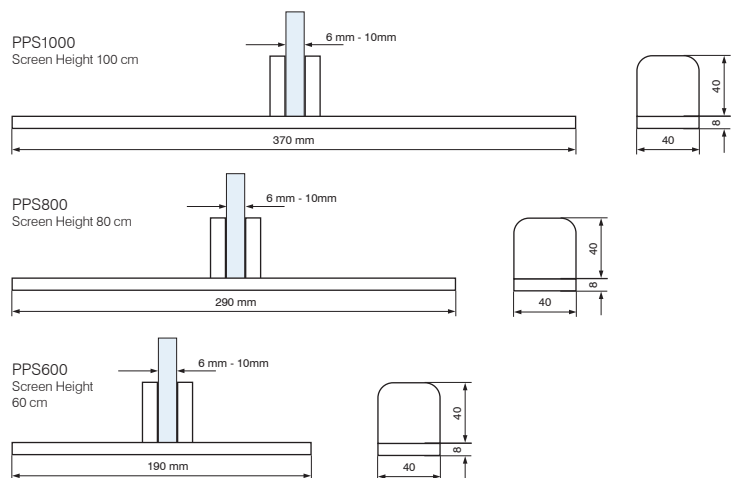
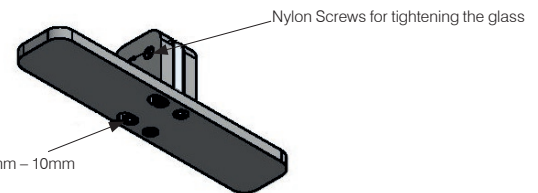
CRL PPS SERIES

PORTABLE PARTITION SCREEN FITTING



Features

- Portable Partition Screen Fitting
- Support for Tempered or Laminated Glass or Acrylic screens
- Adjustable thickness 6mm – 10mm
- Anti-slip base
- Recommended:
2 Fittings / metre, 3 Fittings / 1.5 metre



CAT. NO.	SCREEN HEIGHT	FINISH
PPS600BL	Up to Max 600mm	Black
PPS600BS	Up to Max 600mm	Brushed Stainless
PPS800BL	Up to Max 800mm	Black
PPS800BS	Up to Max 800mm	Brushed Stainless
PPS1000BL	Up to Max 1000mm	Black
PPS1000BS	Up to Max 1000mm	Brushed Stainless

For information call FREE on 00 800 0421 6144

e: CRL@crlaurence.co.uk f: 00 800 0262 3299 w: crlaurence.co.uk

