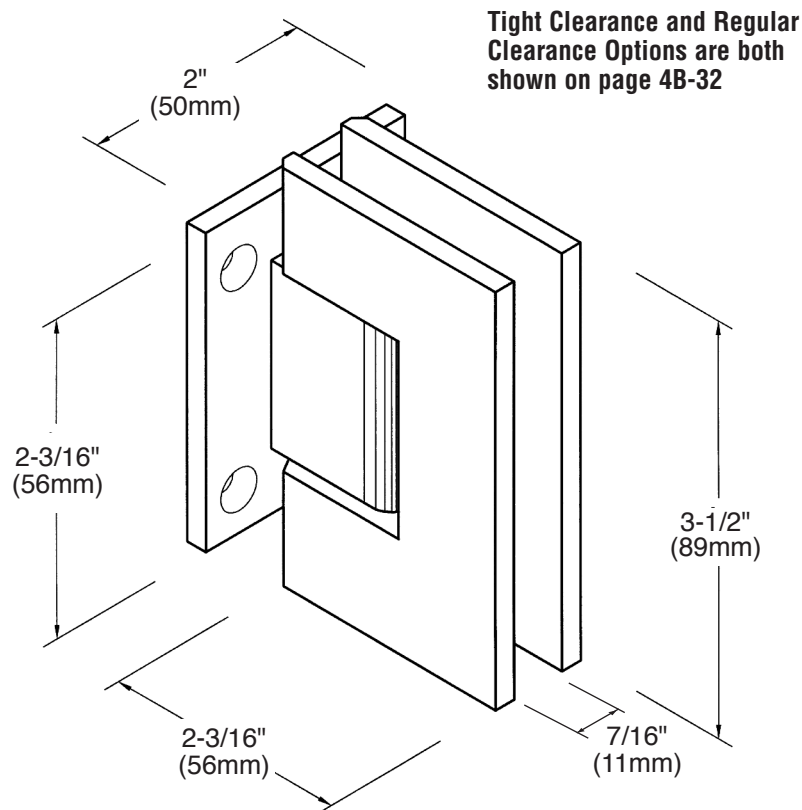




C.R. LAURENCE CO., INC.
PROFESSIONAL QUALITY



Tight Clearance and Regular Clearance Options are both shown on page 4B-32

*** SEE TEMPLATE ON BACK ***
Refer to Dimensions Shown to Ensure Accuracy

GENEVA

Wall Mount Hinge – Short Back Plate (5° Offset)

Cat No. GEN574

*Maximum Door Capacities	3/8" (10mm) Glass Weight	3/8" (10mm) Glass Width	1/2" (12mm) Glass Weight	1/2" (12mm) Glass Width
Using 2 Hinges	80 lbs.(36 kg)	28"(711mm)	80 lbs.(36 kg)	28"(711mm)
Using 3 Hinges	120 lbs.(54 kg)	32"(813mm)	120 lbs.(54 kg)	32"(813mm)

***NOTE:** Do not exceed either maximum weight or width when choosing proper quantity of hinges.

Important Information:

- 1) The Cat. No. GEN574 Short Back Plate Geneva Wall Mount Hinge offers two different templates. The Regular Clearance Template allows 1/8" (3mm) to 1/4" (6mm) clearance. The Tight Clearance Template allows for a tighter clearance of 1/32" (1mm) to 5/32" (4mm), and is commonly used on installations where vinyl seals are not being used.
- 2) This hinge contains a dual degree pivot pin. The pivot pin is set for the door to close 5 degrees inwards from the normal closing position. You have the option of altering the closing position of the door 5 degrees (back to normal closing position) by utilizing the opposite side of the pivot pin, which has been pre-machined (see Section 3 of Cat. No. SDT21 Frameless Shower Door Guide for this procedure). Special order custom pivot pins are available (Cat.No. GENP1N) that can be machined at any angle up to 45 degrees.

Specifications:

Glass Sizes: 3/8" (10mm) to 1/2" (12mm) thick tempered safety glass

Construction: Solid brass

Closing Type: Self-centering when within 15° of closed position

Cutout Required

Includes: Gaskets, screws and template

Use of Gaskets:

For 3/8"(10mm) Glass: Use one thick gasket on each side

For 1/2"(12mm) Glass: Use one thin gasket on each side

Recommendation:

For public safety, we recommend the use of only tempered safety glass. Do not use power tools when installing these hinges.

Maintenance Guidelines:

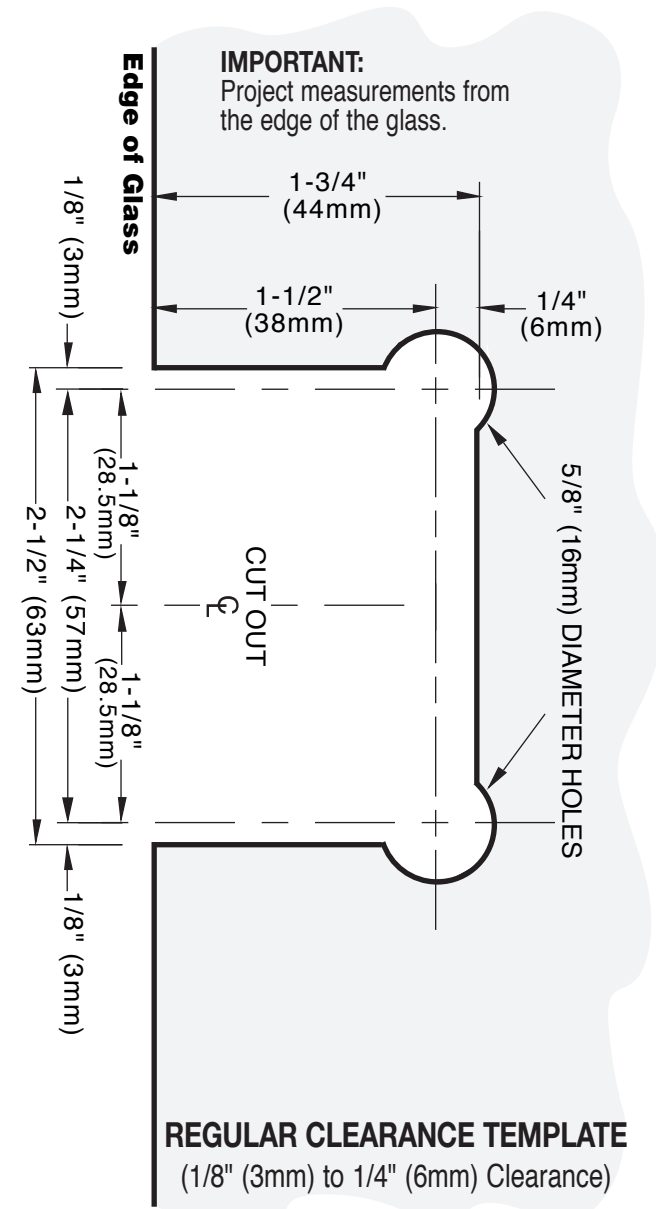
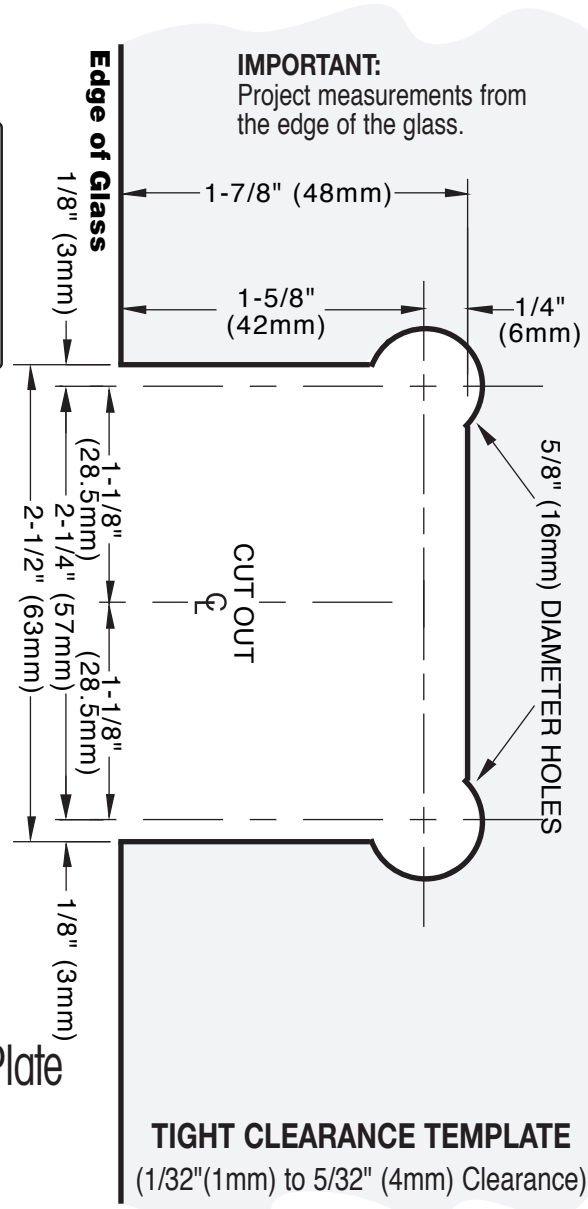
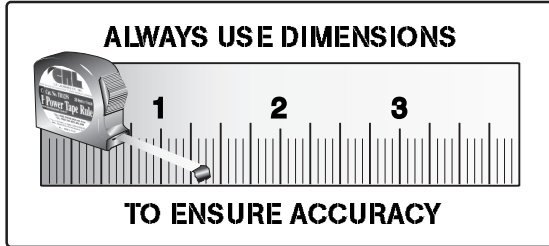
- Our hinges are greased at the factory for quiet and trouble-free operation. If there is any squeaking that occurs after installation, put a drop of "3 in 1 Oil" (also known as "household oil") on the white nylon washer that the hinge body pivots on. This washer is the component that acts as a buffer, so the body of the hinge doesn't pivot directly on the brass center block. This solution doesn't require the disassembly of the hinge. **Note: Do not use spray lubricant on these hinges.** If the hinge has been disassembled, upon re-assembly, use white lithium grease to lubricate the interior mechanism.
- Never use an abrasive cleaner on the hardware. Many of the components are coated with a clear lacquer that will be irreparably damaged if subjected to harsh, abrasive chemicals. Advise your customer that drying the hardware with a clean, soft towel on a daily basis is the best way to maintain the hardware. If mineral deposits build-up, mix a couple of drops of a mild liquid soap (such as Ivory or a similar product) into a cup of warm water. Using a soft, non-abrasive cloth, clean the hardware. Rinse thoroughly with clean, warm water and dry.

4B-31

C.R. Laurence Co., Inc.
crlaurence.com

For technical assistance in the United States call toll free (800) 421-6144; from Canada call toll free (877) 421-6144; Outside the U.S. and Canada call (323) 588-1281. Ask for Tech Sales at Extension 7740. Toll free fax (800) 458-7496.

© Copyright 2009, C.R. Laurence Co., Inc_SDT21_US



GENEVA

Wall Mount Hinge – Short Back Plate
(5° Offset)

CAT No. GEN574