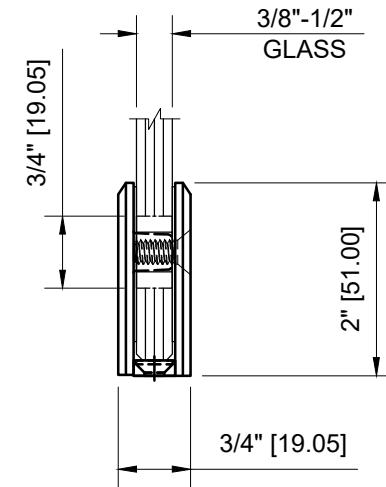
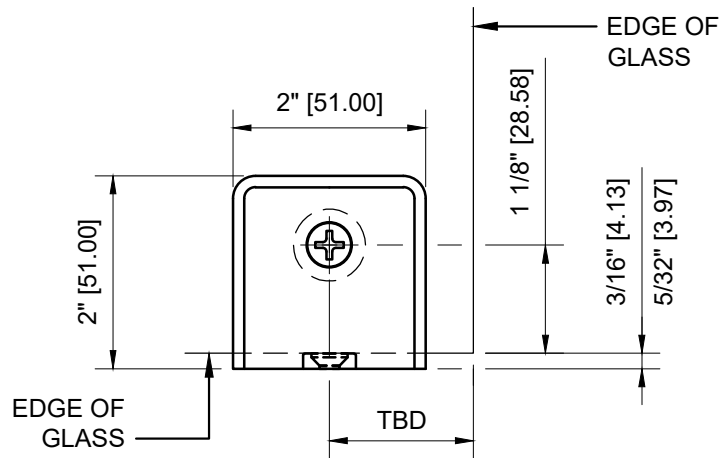
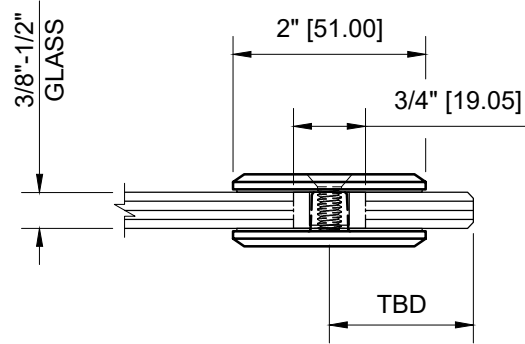


USE OF GASKETS

FOR 3/8" (10mm) GLASS:

FOR 1/2" (12mm) GLASS:



CATALOG NUMBER	FINISH
BCU4CH	POLISHED CHROME
BCU4MBL	MATTE BLACK
BCU4BR	POLISHED BRASS
BCU4ORB	OIL RUBBED BRONZE
BCU4ABC0	ANTIQUE BRUSHED COPPER
BCU4ABN	ANTIQUE BRUSHED NICKEL
BCU4ABR	ANTIQUE BRASS
BCU4ABRZ	ANTIQUE BRONZE
BCU4BBRZ	BRUSHED BRONZE
BCU4BL	BLACK
BCU4BN	BRUSHED NICKEL
BCU4BSC	BRUSHED SATIN CHROME
BCU4GP	GOLD PLATED
BCU4PN	POLISHED NICKEL
BCU4SB	SATIN BRASS
BCU4SC	SATIN CHROME
BCU4SN	SATIN NICKEL

BCU4XX - CRL BEVELED STYLE HOLE IN GLASS FIXED PANEL HEAVY DUTY U-CLAMP

DATE: 10-28-2019
 SCALE: 6"=1'-0"
 DRAWN BY: VM

DESCRIPTION: CRL HEAVY DUTY GLASS CLAMPS
 BCU4 - FIXED PANEL BEVELED U-CLAMP

C.R. LAURENCE CO. ARCHITECTURAL PRODUCTS
 2503 E. Vernon Avenue, Los Angeles, CA 90058-1897
 PH (800)-421-6144 FX: 800-587-7501 www.crlaurence.com

