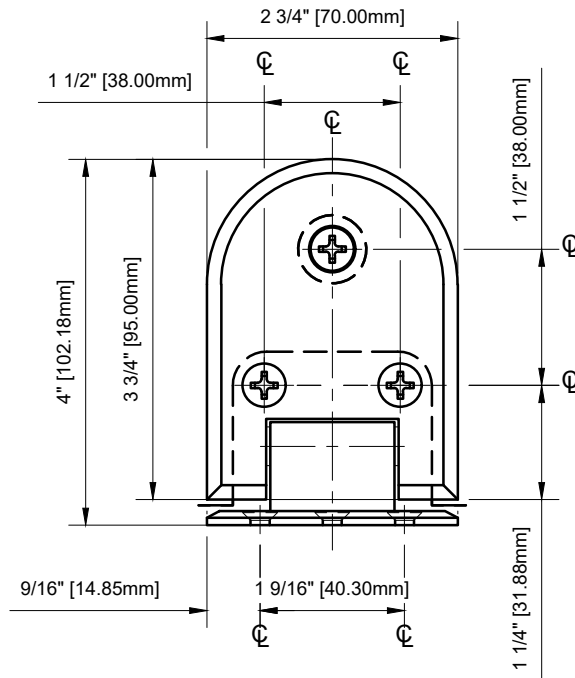
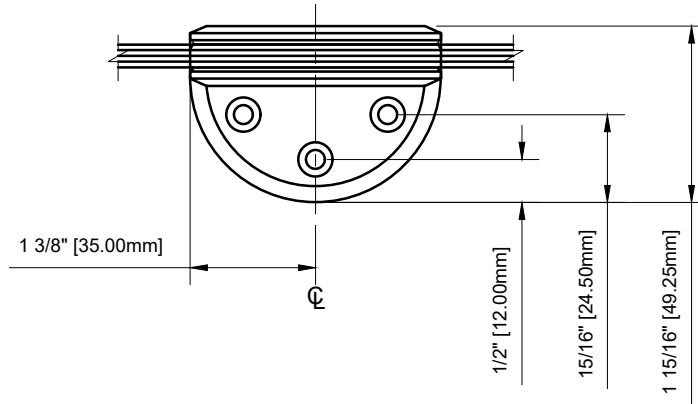
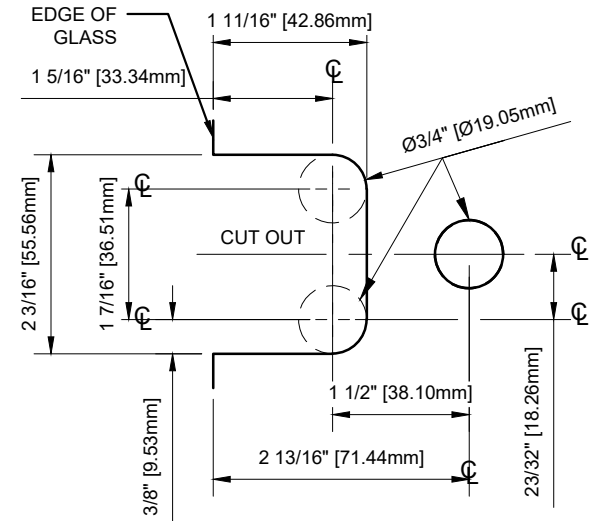


USE OF GASKETS	
FOR 1/4" (6mm) GLASS: USE ONE THICK GASKET ON EACH SIDE	
FOR 5/16" (8mm) GLASS: USE ONE THIN GASKET ON EACH SIDE	

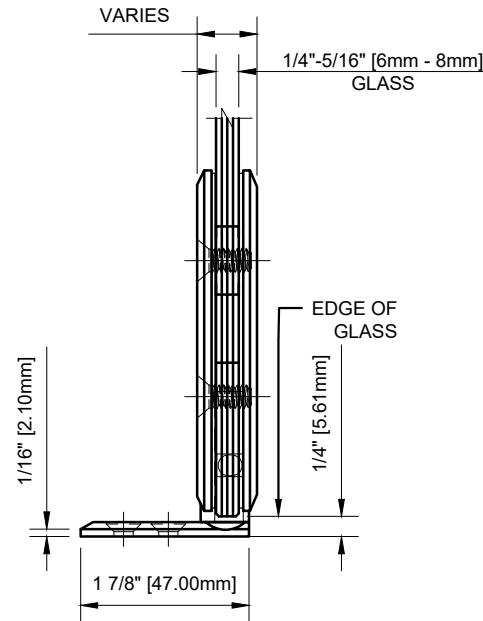


CATALOG NUMBER	FINISH
BER044CH	CHROME
BER044BR	BRASS
BER0440RB	OIL RUBBED BRONZE
BER044ABR	ANTIQUÉ BRASS
BER044BN	BRUSHED NICKEL
BER044SC	SATIN CHROME
BER044W	WHITE W/ CHROME

BER044XX - CRL BERLIN SERIES HINGE WALL MOUNT OFFSET BACK PLATE



GLASS FABRICATION TEMPLATE



DATE:	12/27/18
SCALE:	6"=1'-0"
DRAWN BY:	VM

DESCRIPTION: CRL BER044
BERLIN SERIES
WALL MOUNT OFFSET BACK PLATE HINGE

C.R. LAURENCE CO. ARCHITECTURAL PRODUCTS
2503 E. Vernon Avenue, Los Angeles, C.A 90058-1897
PH (800)-421-6144 FX: 800-587-7301 www.crlaurence.com



A CRH COMPANY