



C.R. LAURENCE CO., INC.
PROFESSIONAL QUALITY

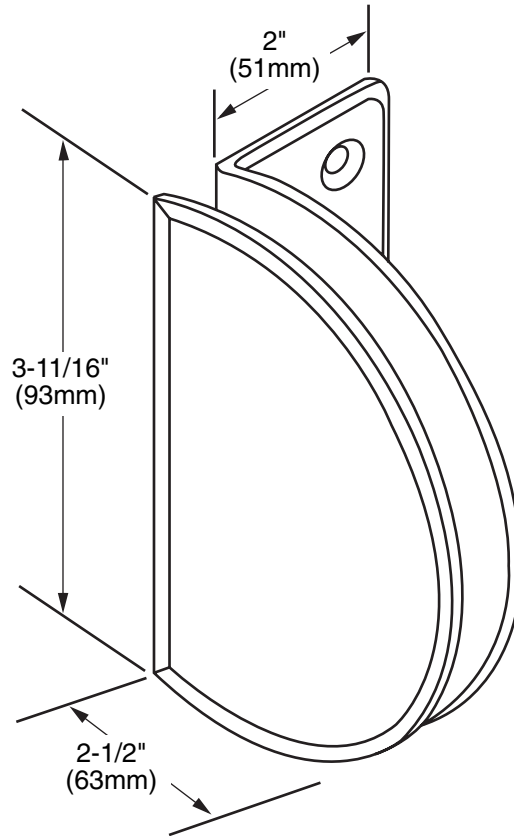
Specifications:

Material: Solid Brass

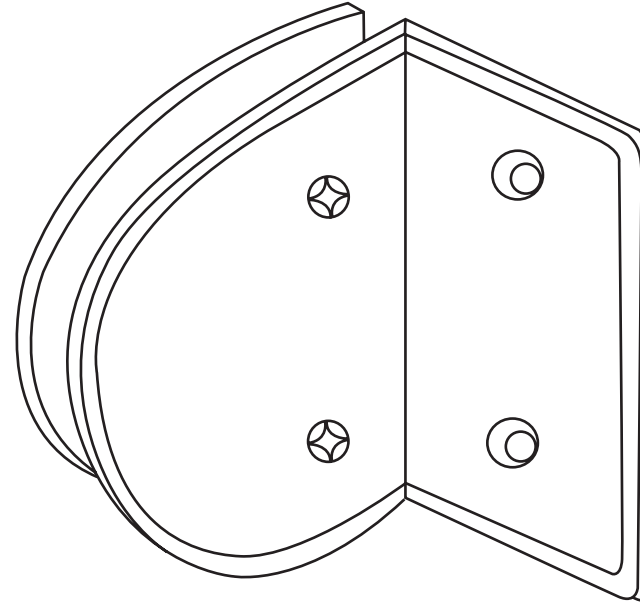
Glass Thickness: 5/16" (8mm) to 3/8" (10mm)

Hole Size Required: 5/8" (16mm)

Includes: Mounting screws and gaskets



FRONT VIEW



REAR VIEW

GLASS CLAMPS

Classique Wall Bracket

CAT. No. CL90S

Template Shown on Next Page