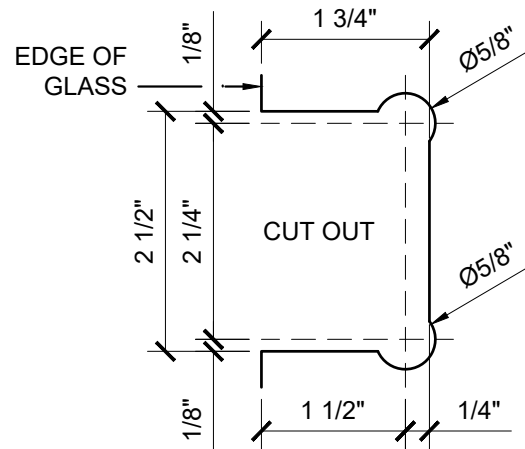
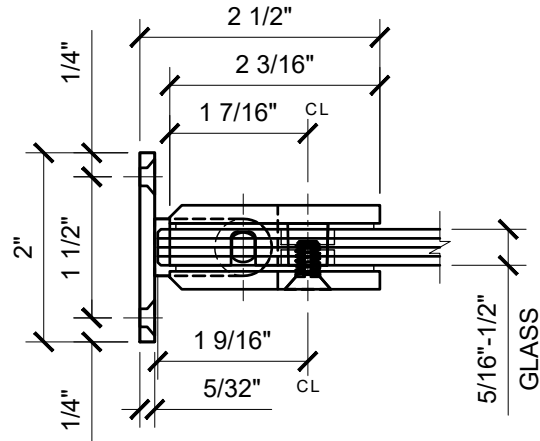


USE OF GASKETS

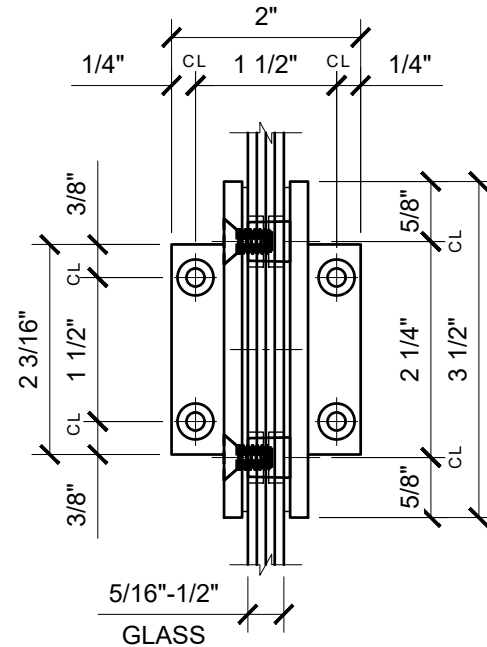
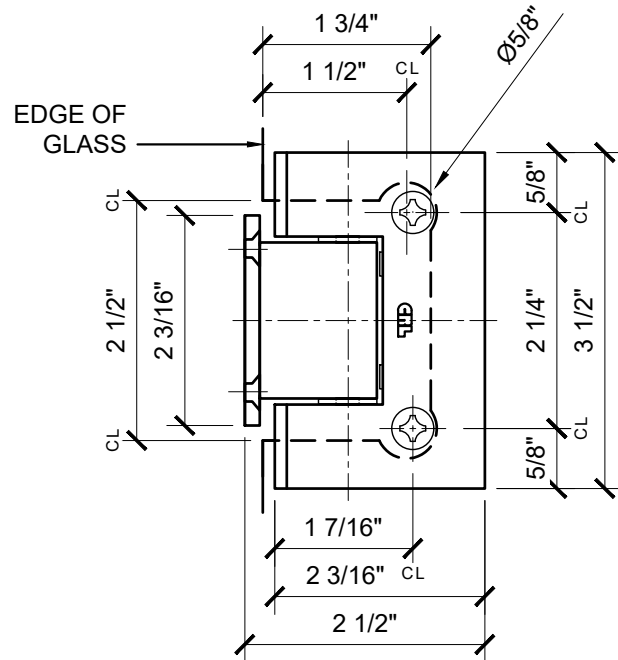
FOR 5/16" (8mm) GLASS: USE ONE THICK GASKET ON EACH SIDE

FOR 3/8" (10mm) GLASS: USE ONE THICK GASKET ON EACH SIDE

FOR 1/2" (12mm) GLASS: USE ONE THIN GASKET ON EACH SIDE



GLASS FABRICATION TEMPLATE



CATALOG NUMBER	FINISH
GEN074CH	CHROME
GEN074BR	BRASS
GEN074ORB	OIL RUBBED BRONZE
GEN074ABC0	ANTIQUE BRUSHED COPPER
GEN074ABL	ALL BLACK
GEN074ABN	ANTIQUE BRUSHED NICKEL
GEN074ABR	ANTIQUE BRASS
GEN074ABRZ	ANTIQUE BRONZE
GEN074AW	ALL WHITE
GEN074BBRZ	BRUSHED BRONZE
GEN074BL	BLACK
GEN074BN	BRUSHED NICKEL
GEN074BSC	BRUSHED SATIN CHROME
GEN074CBA	CHROME W/ BRASS ACCENT
GEN074GM	GUN METAL
GEN074GP	GOLD PLATED
GEN074PN	POLISHED NICKEL
GEN074SB	SATIN BRASS
GEN074SC	SATIN CHROME
GEN074SN	SATIN NICKEL
GEN074UBR	ULTRA BRASS
GEN074WC	WHITE W/ CHROME ACCENT

GEN074XX - CRL GENEVA SERIES WALL MOUNT SHORT BACK PLATE HINGE

DATE: 6/20/17
SCALE: 6"=1'-0"
DRAWN BY: VM

DESCRIPTION: CRL GEN074

GENEVA SERIES WALL MOUNT
SHORT BACK PLATE HINGE

C.R.LAURENCE CO. ARCHITECTURAL PRODUCTS
2503 E. Vernon Avenue, Los Angeles, C.A 90058-1897
PH (800)-421-6144 FX: 800-587-7501 www.crlaurence.com

