

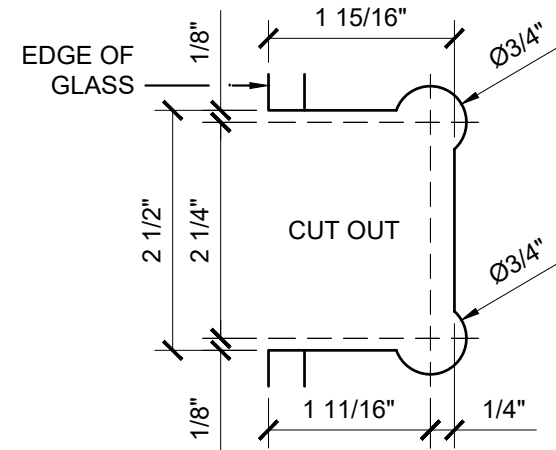
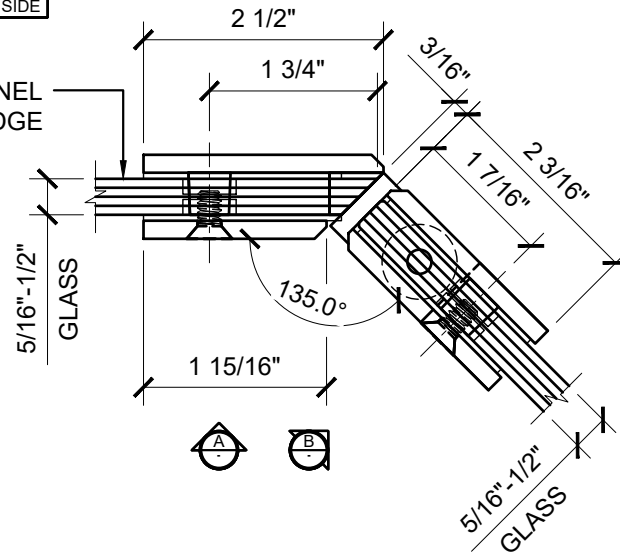
USE OF GASKETS

FOR 5/16" (8mm) GLASS: USE ONE THICK GASKET ON EACH SIDE

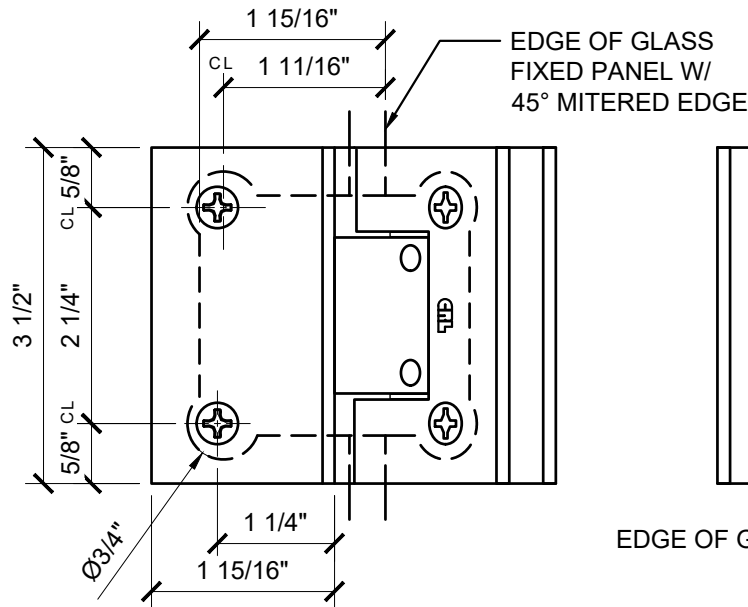
FOR 3/8" (10mm) GLASS: USE ONE THICK GASKET ON EACH SIDE

FOR 1/2" (12mm) GLASS: USE ONE THIN GASKET ON EACH SIDE

FIXED GLASS PANEL  
W/ 45° MITERED EDGE

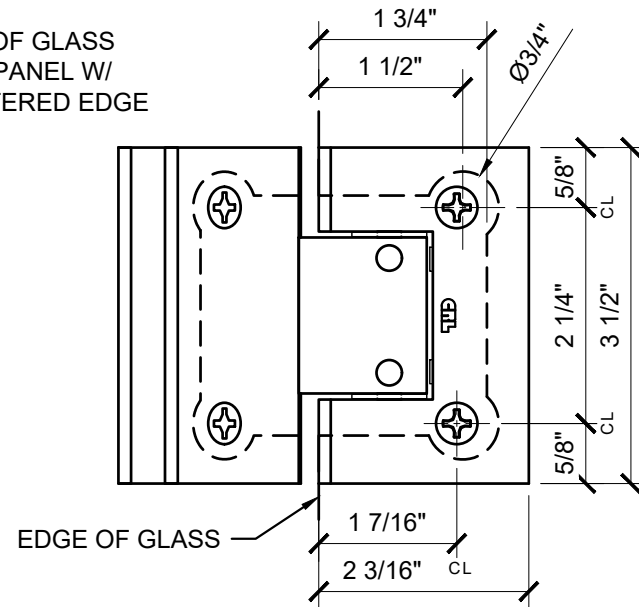


GLASS FABRICATION TEMPLATE 1 OF 2



(A) VIEW

ARCH REF: 6"=1'-0"



(B) VIEW

ARCH REF: 6"=1'-0"

CATALOG NUMBER	FINISH
GEN345CH	CHROME
GEN345BR	BRASS
GEN345ORB	OIL RUBBED BRONZE
GEN345ABR	ANTIQUE BRASS
GEN345BN	BRUSHED NICKEL
GEN345PN	POLISHED NICKEL
GEN345SC	SATIN CHROME

GEN345XX - CRL GENEVA SERIES ADJUSTABLE 135 DEGREE GLASS TO GLASS HINGE

DATE: 6/22/17  
SCALE: 6"=1'-0"  
DRAWN BY: VM

DESCRIPTION: CRL GEN345  
GENEVA SERIES 135 DEGREE  
GLASS TO GLASS HINGE

C.R.LAURENCE CO. ARCHITECTURAL PRODUCTS  
2503 E. Vernon Avenue, Los Angeles, C.A 90058-1897  
PH (800)-421-6144 FX: 800-587-7501 www.crlaurence.com

