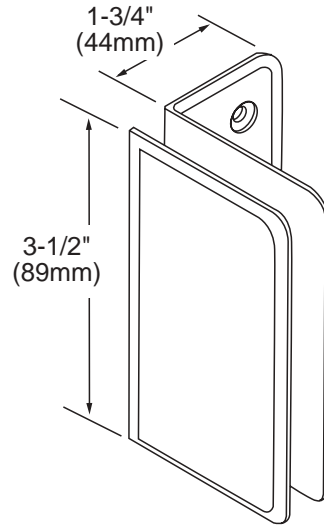




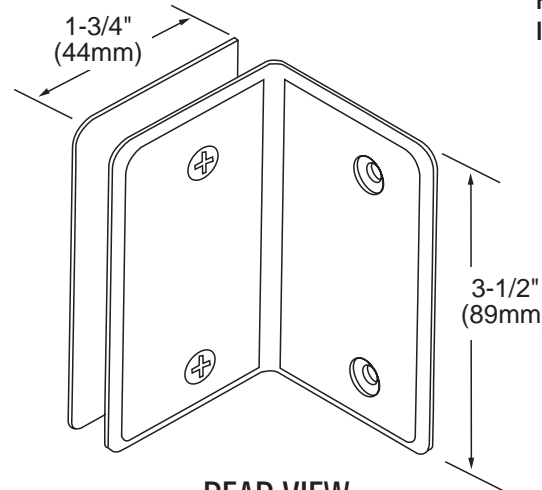
C.R. LAURENCE CO., INC.
 PROFESSIONAL QUALITY

Specifications:

Material: Solid Brass
Glass Thickness: 1/4" (6mm) to 5/16" (8mm)
Hole Size Required: 5/8" (16mm)
Includes: Mounting screws and gaskets



FRONT VIEW



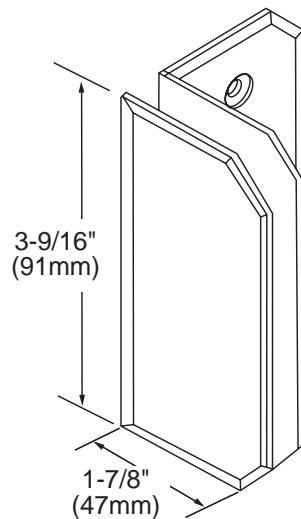
REAR VIEW

Template Shown on Next Page

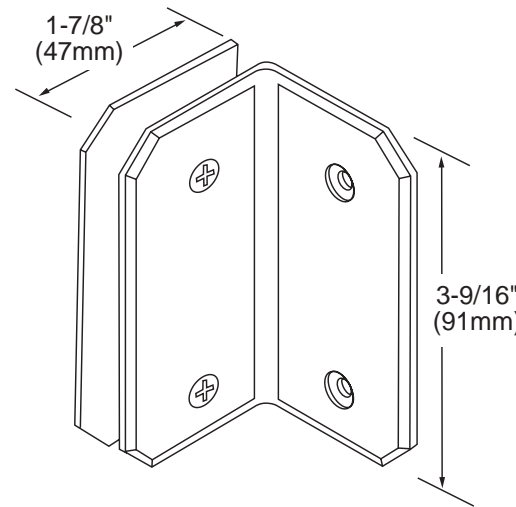
GLASS CLAMPS

Petite Wall Bracket

CAT No. PE90S



FRONT VIEW



REAR VIEW

Specifications:

Material: Solid Brass
Glass Thickness: 1/4" (6mm) to 5/16" (8mm)
Hole Size Required: 5/8" (16mm)
Includes: Mounting screws and gaskets

Template Shown on Next Page

GLASS CLAMPS

Monaco Wall Bracket

CAT No. M090S