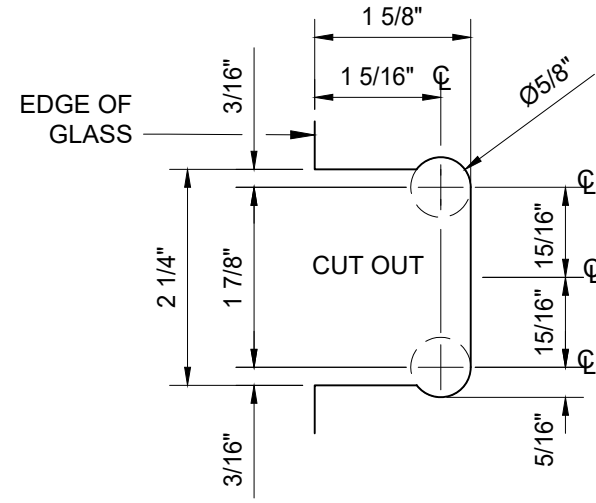
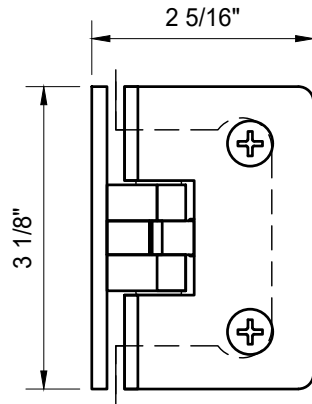
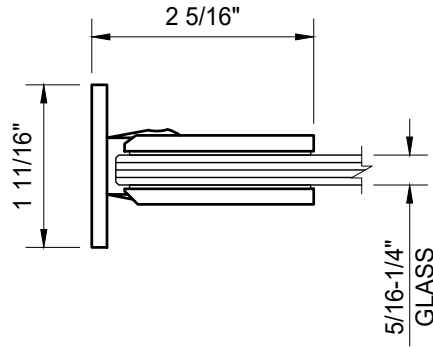


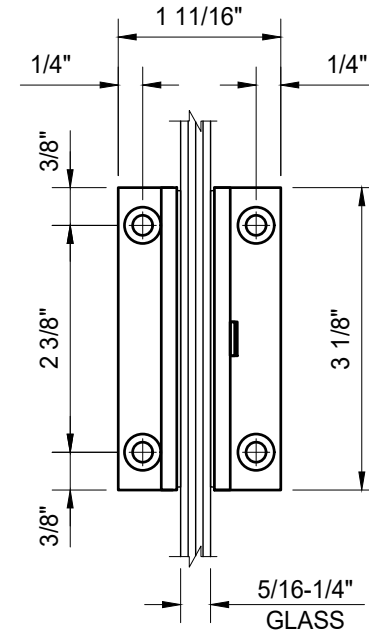
USE OF GASKETS

FOR 1/4" (6mm) GLASS: USE ONE THICK GASKET ON EACH SIDE

FOR 5/16" (8mm) GLASS: USE ONE THIN GASKET ON EACH SIDE



GLASS FABRICATION TEMPLATE



M1L037XX - CRL MILANO WALL MOUNT FULL BACK PLATE HINGE

CATALOG NUMBER	FINISH
M1L037CH	POLISHED CHROME
M1L037BR	POLISHED BRASS
M1L037SC	SATIN CHROME

DATE: 3/18/19
 SCALE: 6"=1'-0"
 DRAWN BY: VM

DESCRIPTION: CRL M1L037
 CRL MILANO SERIES HINGES
 WALL MOUNT FULL BACK PLATE

C.R.LAURENCE CO. ARCHITECTURAL PRODUCTS
 2503 E. Vernon Avenue, Los Angeles, C.A 90058-1897
 PH (800)-421-6144 FX: 800-587-7501 www.crlaurence.com

