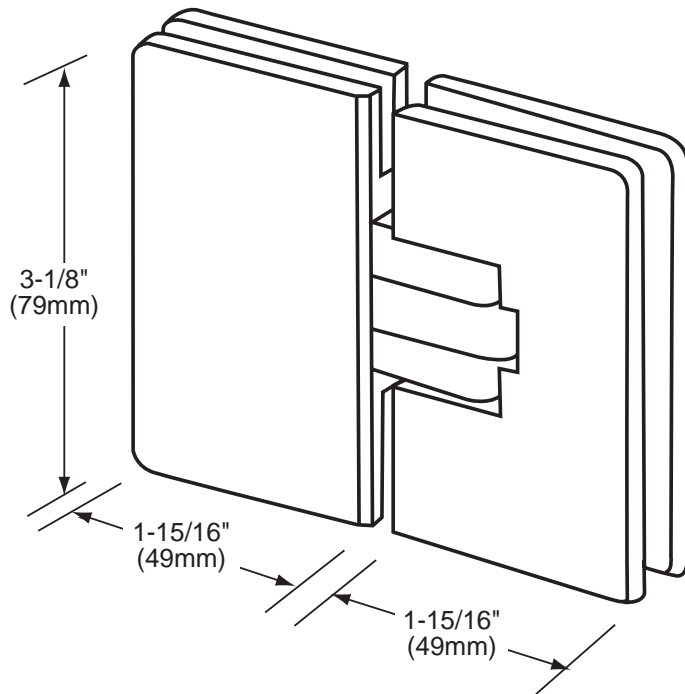




C.R. LAURENCE CO., INC.
PROFESSIONAL QUALITY



Specifications:

Glass Sizes: 1/4" (6mm) to 5/16" (8mm) thick tempered safety glass

Construction: Solid brass

Closing Type: Precise closing to 0°

Cutout Required

Includes: Gaskets, screws and template

Use of Gaskets:

For 1/4"(6mm) Glass: Use one thick gasket on each side

For 5/16"(8mm) Glass: Use one thin gasket on each side

Recommendations:

For public safety, we recommend the use of only tempered safety glass.
 Do not use power tools when installing these hinges.

MILANO

Glass-to-Glass Hinge

CAT No. M1L180

| *Maximum Door Capacities | 1/4" (6mm) Glass | | 5/16" (8mm) Glass | |
|--------------------------|------------------|-------------|-------------------|-------------|
| | Weight | Width | Weight | Width |
| Using 2 Hinges | 60 lbs.(27 kg) | 28"(711mm) | 60 lbs.(36 kg) | 28"(711mm) |
| Using 3 Hinges | 90 lbs.(41 kg) | 32"(813 mm) | 90 lbs.(55 kg) | 32"(813 mm) |

*NOTE: Do not exceed either maximum weight or width when choosing proper quantity of hinges.

Maintenance Guidelines:

- Never use an abrasive cleaner on the hardware. Many of the components are coated with a clear lacquer that will be irreparably damaged if subjected to harsh, abrasive chemicals. Advise your customer that drying the hardware with a clean, soft towel on a daily basis is the best way to maintain the hardware. If mineral deposits build-up, mix a couple of drops of a mild liquid soap (such as Ivory or a similar product) into a cup of warm water. Using a soft, non-abrasive cloth, clean the hardware. Rinse thoroughly with clean warm water and dry.