



C.R. LAURENCE CO., INC.
PROFESSIONAL QUALITY

Specifications:

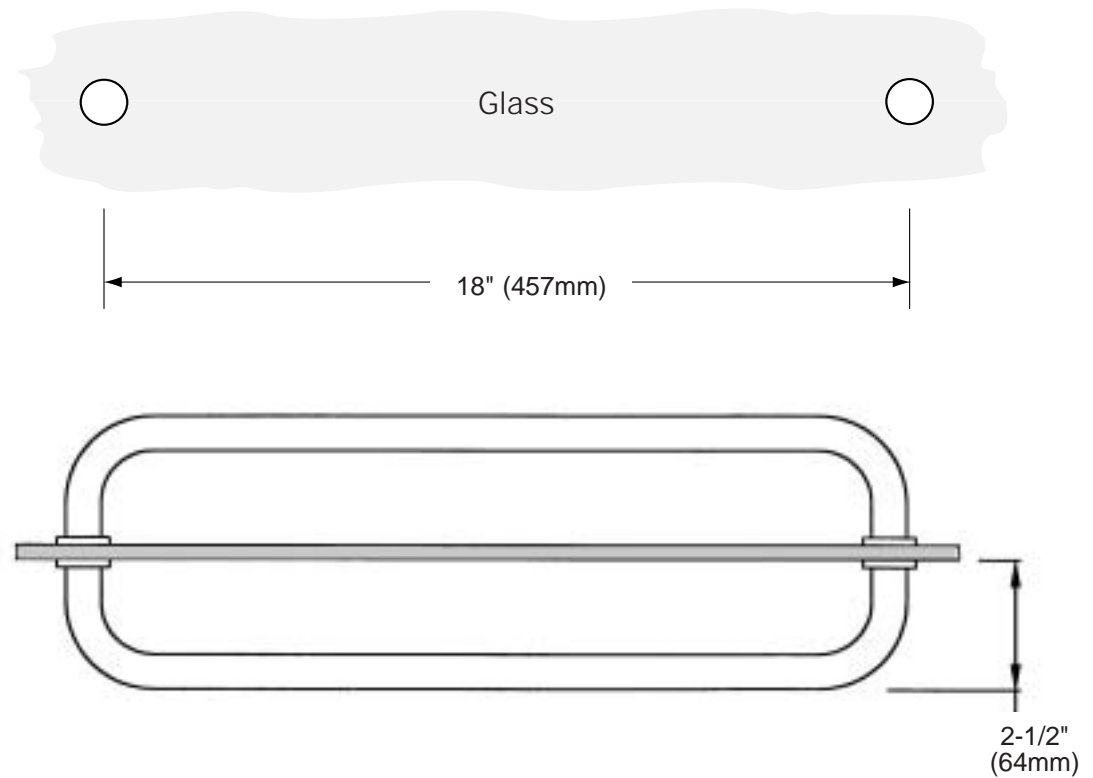
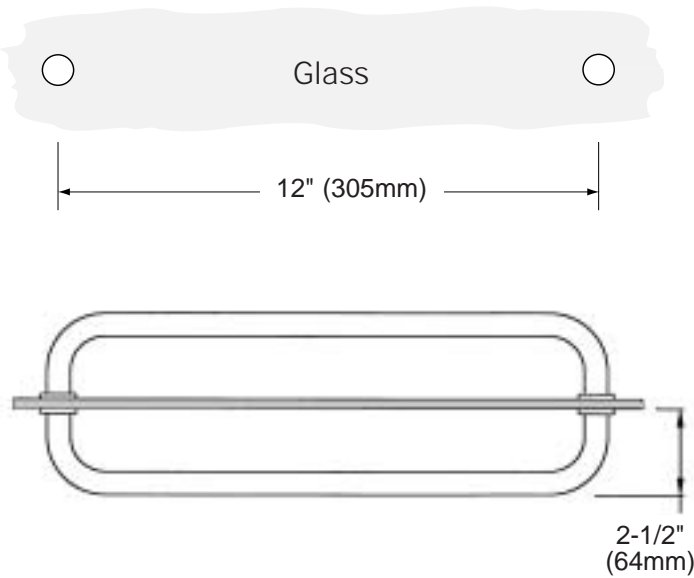
All Holes Are 1/2" (12mm) Diameter
 All Measurements Are Center-To-Center
 Appropriate Clear Gaskets Included
 Fits 1/4" (6mm) to 1/2" (12mm) Glass

CAT No. CATB12X12 (REGULAR ACRYLIC CONSTRUCTION)

CAT No. CATBT12X12 (TWIST ACRYLIC CONSTRUCTION)

CAT No. SDTB12X12 (TUBULAR BRASS CONSTRUCTION)

CAT No. SDTB18X18 (TUBULAR BRASS CONSTRUCTION)



TOWEL BARS

Back-To-Back (Tubular Brass or Acrylic Construction)