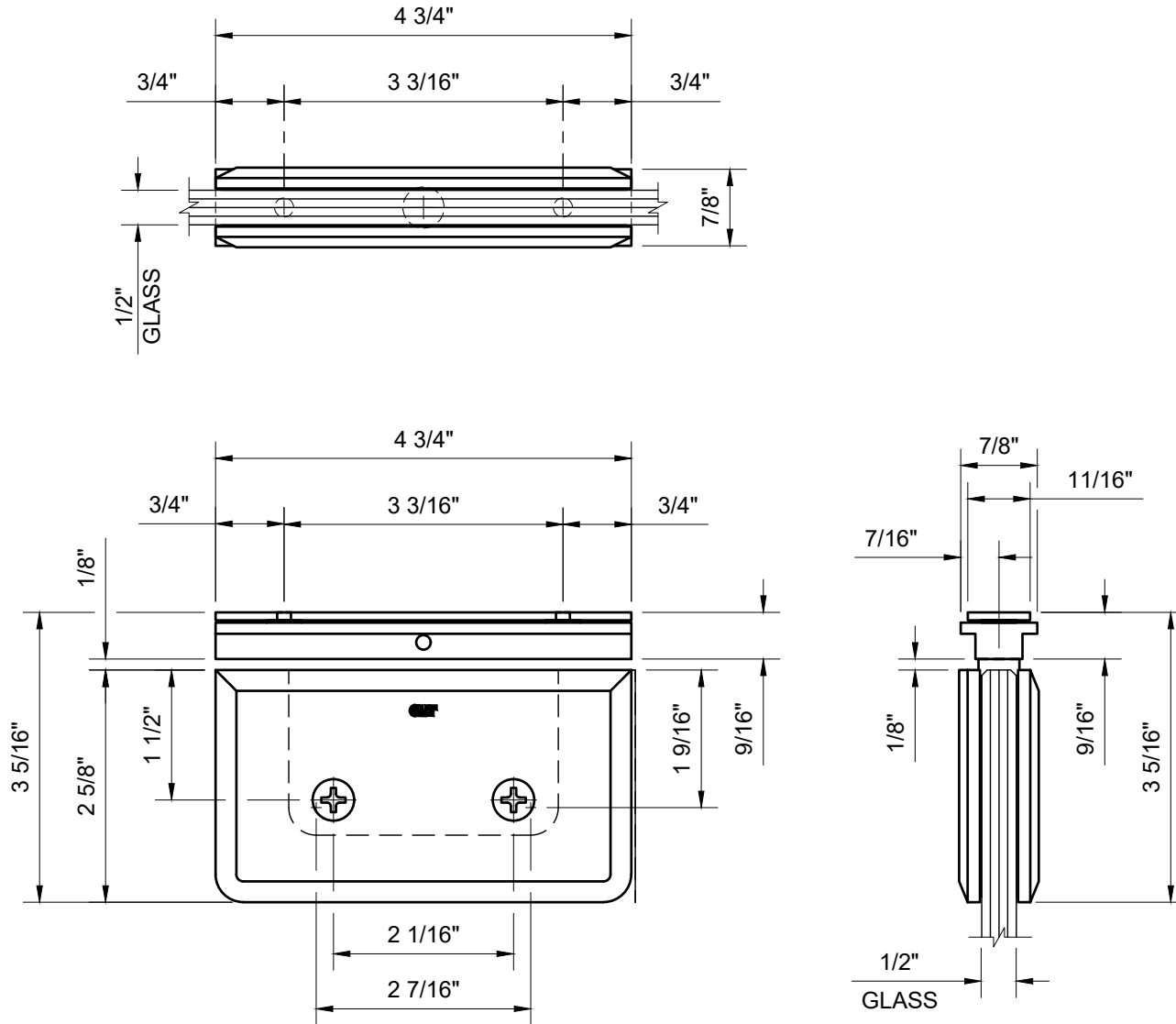


USE OF GASKETS

FOR 1/2" GLASS: USE ONE THIN GASKET ON ONE SIDE AND ONE THICK GASKET ON THE OTHER SIDE  
 FOR 12mm GLASS: USE ONE THICK GASKET ON BOTH SIDES



CATALOG NUMBER	FINISH
SRPPH06CH	POLISHED CHROME
SRPPH06BR	POLISHED BRASS
SRPPH060RB	OIL RUBBED BRONZE
SRPPH06BN	BRUSHED NICKEL
SRPPH06BSC	BRUSHED SATIN CHROME
SRPPSB	SATIN BRASS
SRPPH06SC	SATIN CHROME

SRPPH06XX - CRL SENIOR PRIMA EZ ADJUST HEADER MOUNT HINGE

DATE: 2/26/19  
 SCALE: 6"=1'-0"  
 DRAWN BY: VM

DESCRIPTION: CRL SENIOR PRIMA 06 SERIES HINGE  
 CRL SRPPH06  
 EZ-ADJUST TOP MOUNT HINGE

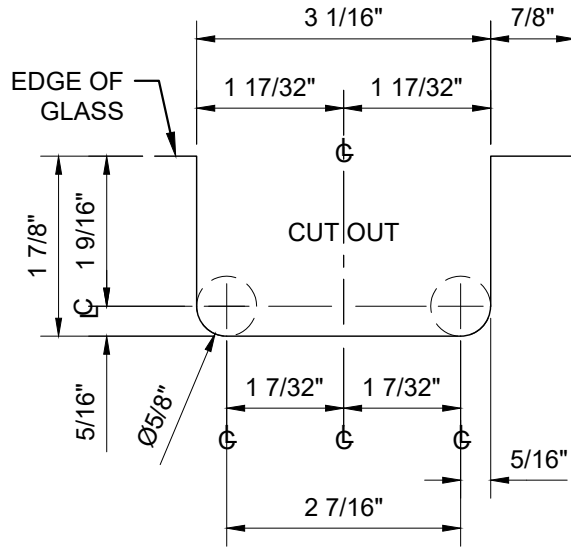
C.R. LAURENCE CO. ARCHITECTURAL PRODUCTS  
 2503 E. Vernon Avenue, Los Angeles, CA 90058-1897  
 PH (800)-421-6144 FX: 800-587-7501 www.crlaurence.com



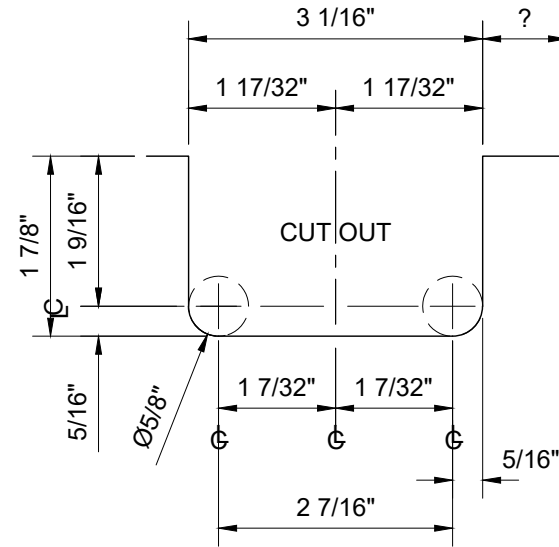
USE OF GASKETS

FOR 1/2" GLASS: USE ONE THIN GASKET ON ONE SIDE AND ONE THICK GASKET ON THE OTHER SIDE

FOR 12mm GLASS: USE ONE THICK GASKET ON BOTH SIDES



EDGE MOUNT PREFERRED METHOD  
GLASS FABRICATION TEMPLATE



INSET MOUNT METHOD  
GLASS FABRICATION TEMPLATE

CATALOG NUMBER	FINISH
SRPPH06CH	POLISHED CHROME
SRPPH06BR	POLISHED BRASS
SRPPH060RB	OIL RUBBED BRONZE
SRPPH06BN	BRUSHED NICKEL
SRPPH06BSC	BRUSHED SATIN CHROME
SRPPSB	SATIN BRASS
SRPPH06SC	SATIN CHROME

SRPPH06XX - CRL SENIOR PRIMA EZ ADJUST HEADER MOUNT HINGE TEMPLATES

DATE: 2/26/19

SCALE: 6"=1'-0"

DRAWN BY: VM

DESCRIPTION: CRL SENIOR PRIMA 06 SERIES HINGE

CRL SRPPH06

EZ-ADJUST TOP MOUNT HINGE

C.R. LAURENCE CO. ARCHITECTURAL PRODUCTS

2503 E. Vernon Avenue, Los Angeles, CA 90058-1897  
PH (800)-421-6144 FX: 800-587-7501 www.crlaurence.com

