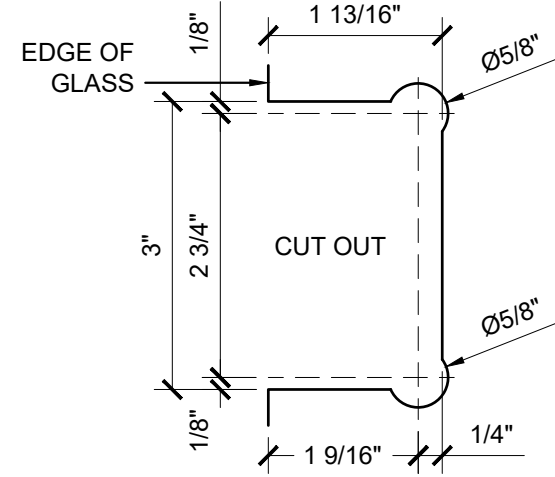
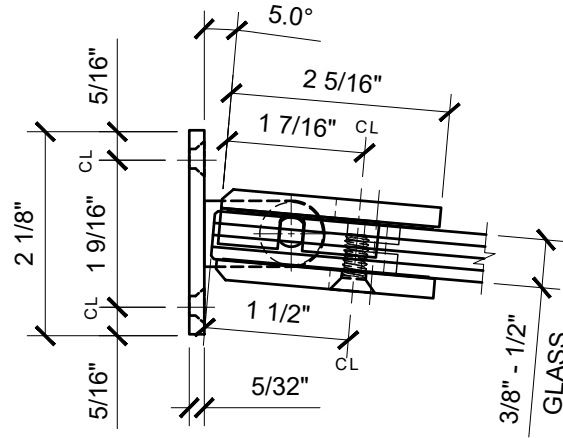
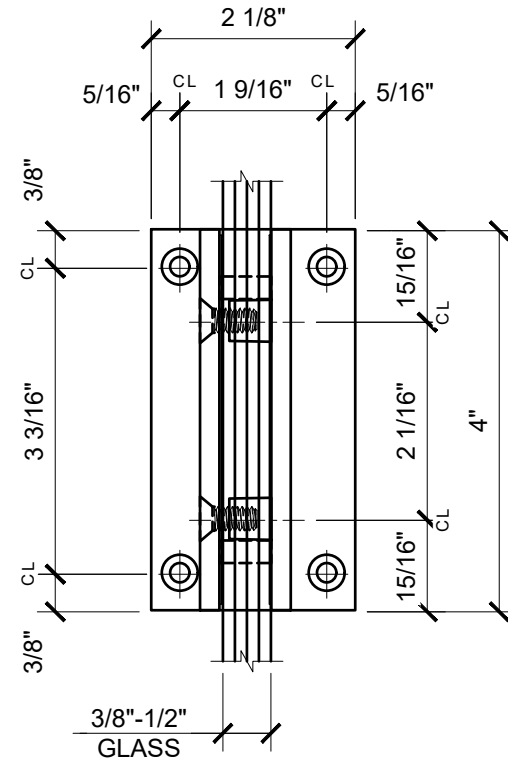
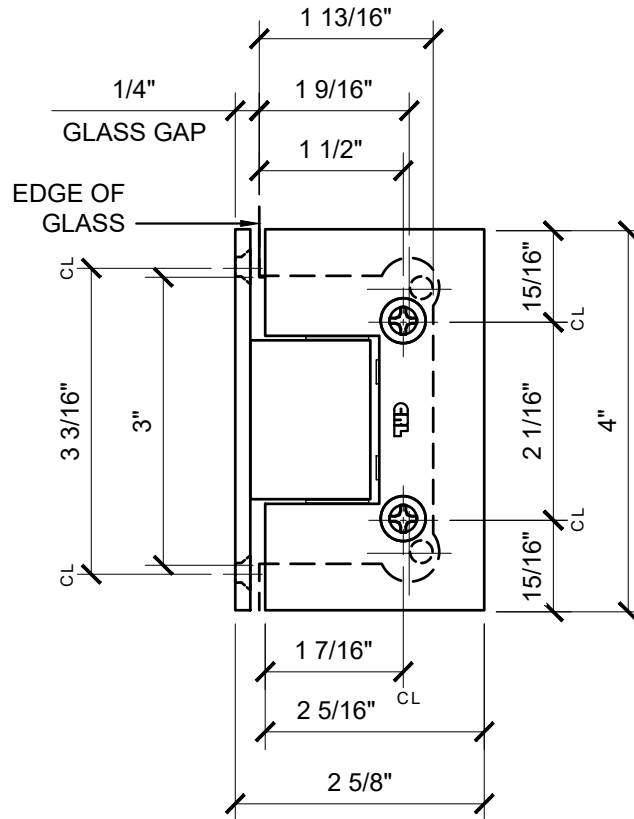


USE OF GASKETS

FOR 3/8" (10mm) GLASS: USE ONE THICK GASKET ON EACH SIDE
 FOR 1/2" (12mm) GLASS: USE ONE THIN GASKET ON EACH SIDE



GLASS FABRICATION TEMPLATE



CATALOG NUMBER	FINISH
V1E537CH	CHROME
V1E537MBL	MATTE BLACK
V1E537BR	BRASS
V1E5370RB	OIL RUBBED BRONZE
V1E537ABC0	ANTIQUE BRUSHED COPPER
V1E537ABL	ALL BLACK
V1E537ABN	ANTIQUE BRUSHED NICKEL
V1E537ABR	ANTIQUE BRASS
V1E537ABRZ	ANTIQUE BRONZE
V1E537AW	ALL WHITE
V1E537BBRZ	BRUSHED BRONZE
V1E537BC0	BRUSHED COPPER
V1E537BL	BLACK W/ CHROME ACCENTS
V1E537BN	BRUSHED NICKEL
V1E537BSC	BRUSHED SATIN CHROME
V1E537CBA	CHROME W/ BRASS ACCENTS
V1E537GM	GUN METAL
V1E537GB	GOLD PLATED
V1E537PN	POLISHED NICKEL
V1E537SB	SATIN BRASS
V1E537SC	SATIN CHROME
V1E537SN	SATIN NICKEL
V1E537WC	WHITE W/ CHROME ACCENTS

V1E537XX - CRL VIENNA SERIES 5° WALL MOUNT FULL BACK PLATE HINGE

DATE: 11/21/17
 SCALE: 6"=1'-0"
 DRAWN BY: VM

DESCRIPTION: CRL V1E537 —
 VIENNA SERIES 5 DEGREE
 WALL MOUNT FULL BACK PLATE HINGE

C.R.LAURENCE CO. ARCHITECTURAL PRODUCTS
 2503 E. Vernon Avenue, Los Angeles, C.A 90058-1897
 PH (800)-421-6144 FX: 800-587-7501 www.crlaurence.com

