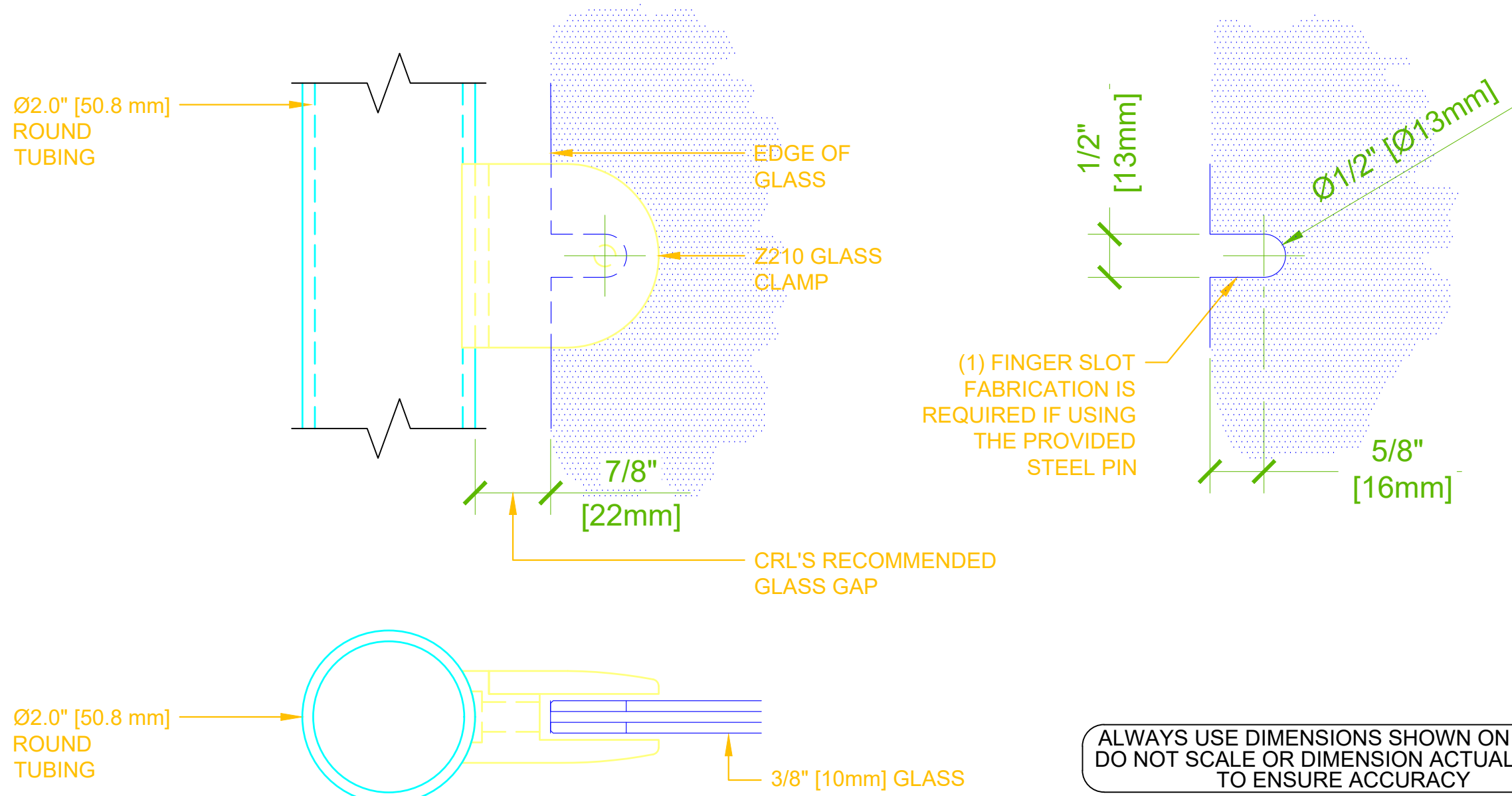


Z-SERIES ROUND TYPE RADIUS BASE GLASS CLAMPS FOR 3/8" (10 mm) GLASS



ALWAYS USE DIMENSIONS SHOWN ON THE PLAN.
DO NOT SCALE OR DIMENSION ACTUAL DRAWING
TO ENSURE ACCURACY

**GLASS FABRICATION
TEMPLATE USED FOR:**

PART NUMBER	FOR TUBE DIA	FINISH
Z210BR	2" (50.8 mm)	BRASS
Z210CH	2" (50.8 mm)	CHROME
Z210SC	2" (50.8 mm)	SATIN CHROME
Z210BN	2" (50.8 mm)	BRUSHED NICKEL
Z210GP	2" (50.8 mm)	GOLD PLATED
Z210W	2" (50.8 mm)	WHITE
Z310BS	2" (50.8 mm)	BRUSHED STAINLESS
Z310PS	2" (50.8 mm)	POLISHED STAINLESS
Z15310BS	1-1/2" (38.1 mm)	BRUSHED STAINLESS
Z15310PS	1-1/2" (38.1 mm)	POLISHED STAINLESS
Z38RG	REPLACEMENT GASKET SET FOR ONE CLAMP	

SPECIFICATIONS:

GLASS THICKNESS: FOR 3/8" (10mm) GLASS.

BASE DESIGN: RADIUS BACK

FOR USE WITH: 1.9" AND 2" (48.3mm and 50.8mm) DIAMETER ROUND TUBING ONLY.

MATERIAL: ZINC OR STAINLESS STEEL BASE.
STAINLESS STEEL CLAMPS ARE RECOMMENDED FOR MORE DURABILITY IN EXTERIOR APPLICATIONS.

GLASS FABRICATION: FOR 3/8" (10mm) THICK GLASS. 1/2" (12mm) DIAMETER FINGER SLOT NEEDED FOR USING REQUIRED STEEL PIN FOR GLASS SUPPORT.

INCLUDES: RUBBER GASKETS AND REQUIRED STEEL PIN WITH GROMMET.



ARCHITECTURAL PRODUCTS
PH: 800-421-6144 FX: 800-262-3299
WWW.CRLAURENCE.COM

DESCRIPTION:

**Z-SERIES ROUND TYPE RADIUS BASE GLASS CLAMPS
FOR 3/8" (10mm) GLASS**

CAT. NO: (SEE CHART)

DATE: 10/05/16

FILE NAME: Z210 & Z310

SCALE: 6"=1'-0"

DRAWN BY: J.T.

CHECKED BY: M.G.

SHT 1 OF 1