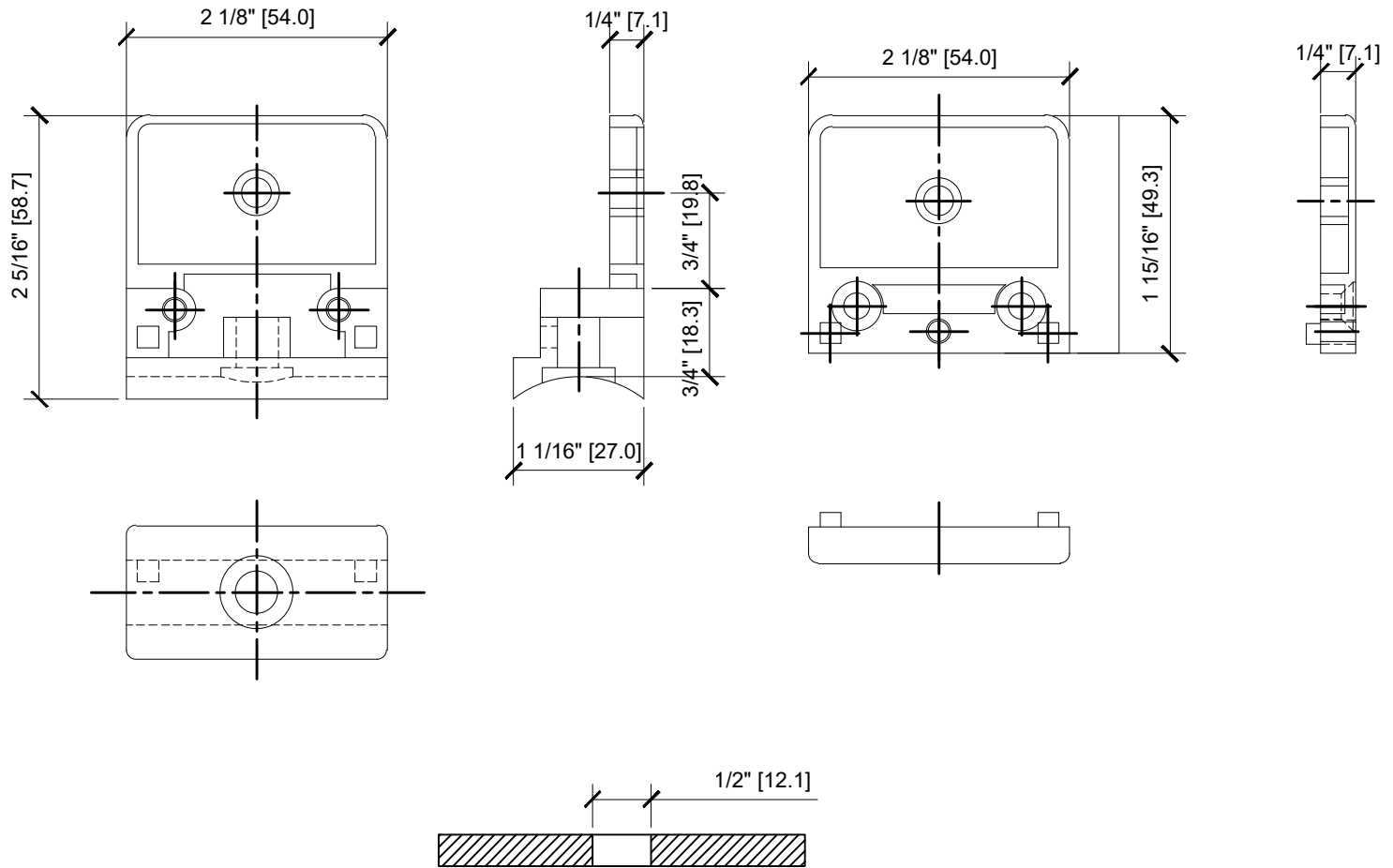


Z-SERIES SQUARE TYPE  
RADIUS BASE ZINC CLAMPS  
FOR 3/8" GLASS  
CAT NO. Z610xx



GLASS FABRICATION