



**C.R. LAURENCE CO., INC.**  
PROFESSIONAL QUALITY

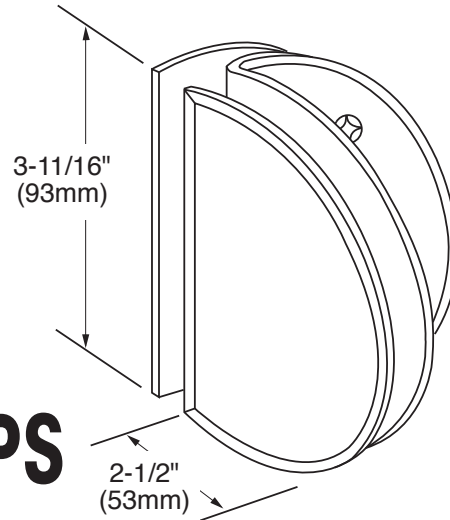
## Specifications:

**Material:** Solid Brass

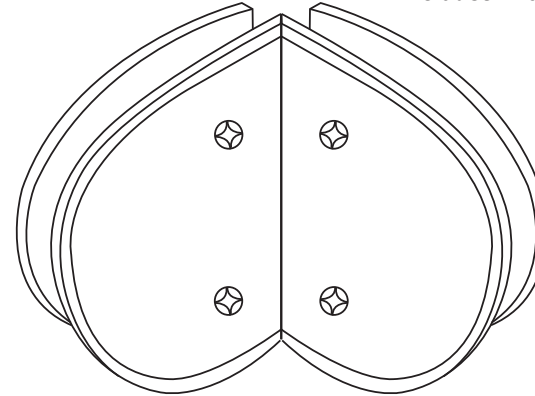
**Glass Thickness:** 5/16", 3/8", and 1/2" (8mm, 10mm, and 12mm)

**Hole Size Required:** 3/4" (19mm)

**Includes:** Mounting screws and gaskets



**FRONT VIEW**



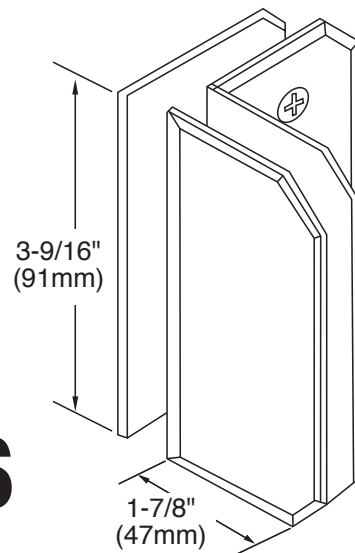
**REAR VIEW**

**Template Shown on Next Page**

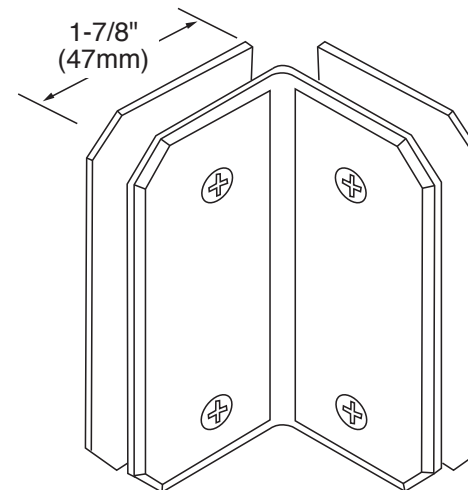
## GLASS CLAMPS

Classique Glass Bracket

**CAT No. CL090**



**FRONT VIEW**



**REAR VIEW**

## Specifications:

**Material:** Solid Brass

**Glass Thickness:** 1/4" (6mm) to 5/16" (8mm)

**Hole Size Required:** 3/4" (19mm)

**Includes:** Mounting screws and gaskets

**Template Shown on Next Page**

## GLASS CLAMPS

Monaco Glass Bracket

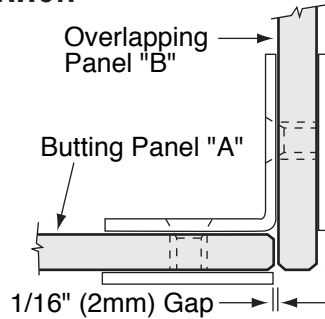
**CAT No. M0090**

4Y-41

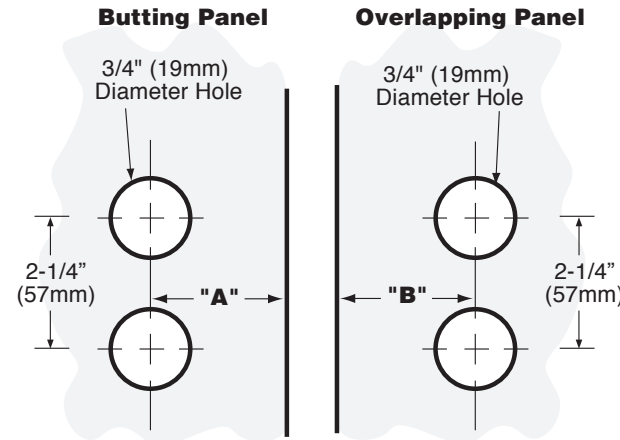


## TYPICAL INSTALLATION

**Important:**  
Project measurements from the edge of the glass.

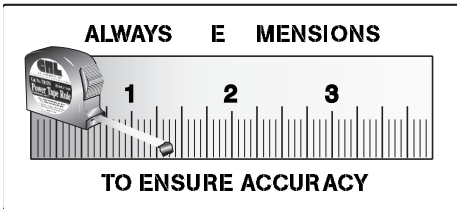


## TEMPLATE OPTION FOR SQUARE CUT GLASS



Glass Thickness	"A" Measurement	"B" Measurement
1/4" (6mm)	1-1/16" (27mm)	1-5/16" (33mm)
5/16" (8mm)	1-1/16" (27mm)	1-3/8" (35mm)
3/8" (10mm)	1-1/16" (27mm)	1-7/16" (36mm)
*1/2" (12mm)	1-1/16" (27mm)	1-9/16" (40mm)

\*CL090 only



## GLASS CLAMPS

THE ABOVE TEMPLATE OPTIONS APPLY TO THE FOLLOWING CLAMPS:

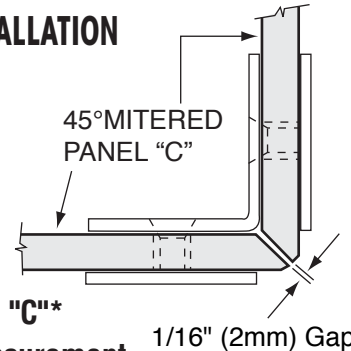
- 90° Glass Bracket
- CAT. No. CL090**
- Classique Glass Bracket
- 90° Glass Bracket
- CAT. No. M0090**
- Monaco Glass Bracket

Glass Thickness	"C" Measurement
1/4" (6mm)	1-1/4" (32mm)
5/16" (8mm)	1-5/16" (33mm)
3/8" (10mm)	1-3/8" (35mm)
1/2" (12mm)	1-1/2" (38mm)
CL090 only	

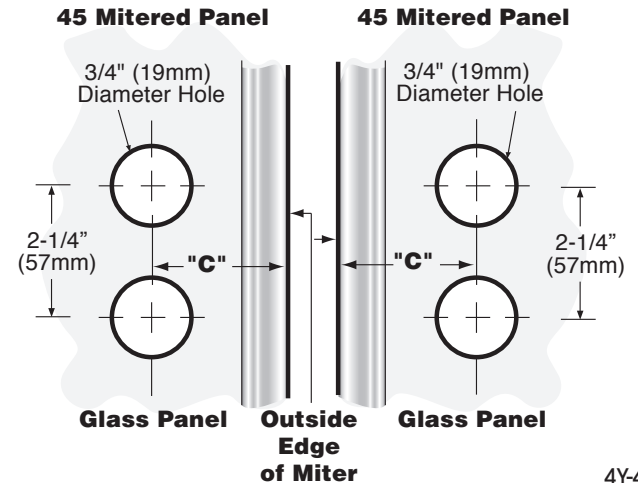
\*From outside edge of miter

## TYPICAL INSTALLATION

**Important:**  
Project measurements from the outside of the mitered glass.



## TEMPLATE OPTION FOR 45° MITERED GLASS



4Y-42