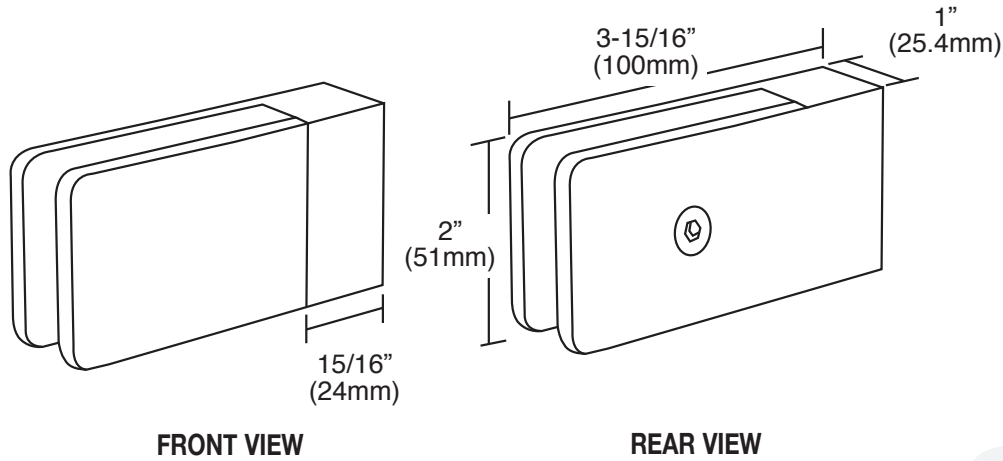




**C.R. LAURENCE CO., INC.**  
PROFESSIONAL QUALITY

## Specifications:

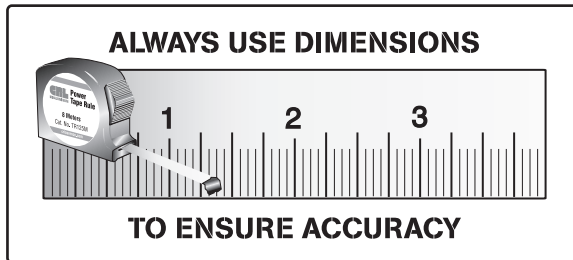
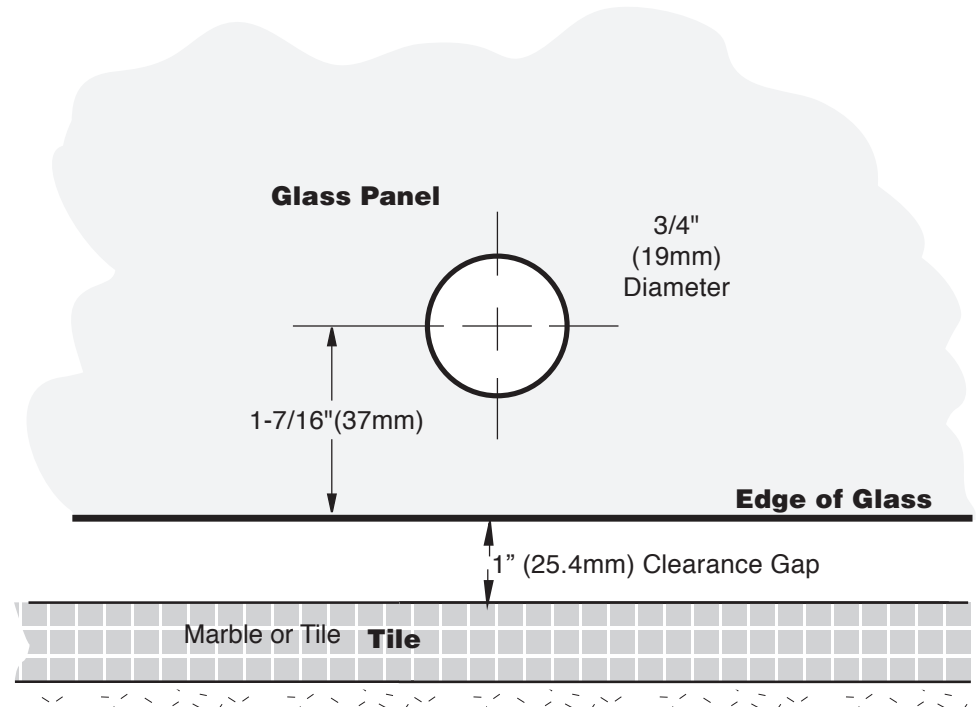
**Material:** Solid brass  
**Glass Thickness Range:** 3/8"(10mm) to 1/2"(12mm)  
**Hole Size Required:** 3/4"(19mm)  
**Includes:** Mounting screws and gaskets



## TEMPLATE

**Important:** Project measurements from the edge of the glass

## TYPICAL INSTALLATION



**GLASS CLAMP**  
TALL BASE  
CAT. No. CMC1