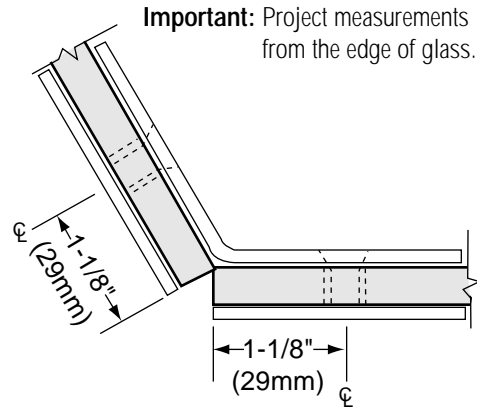
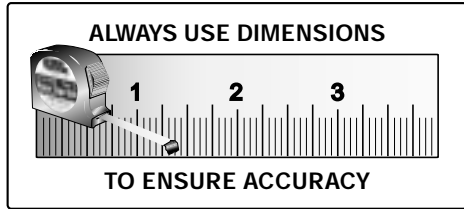


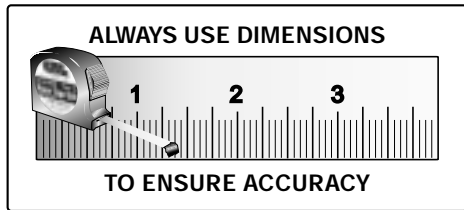
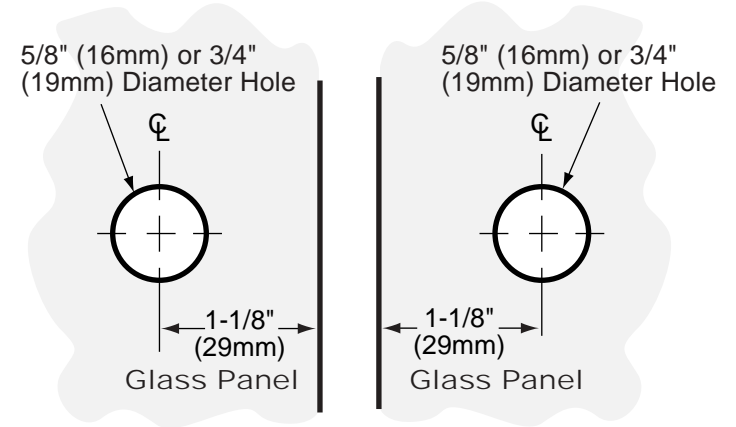


C.R. LAURENCE CO., INC.
PROFESSIONAL QUALITY

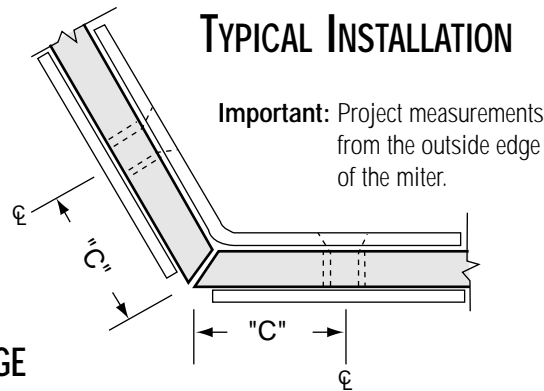
TYPICAL INSTALLATION



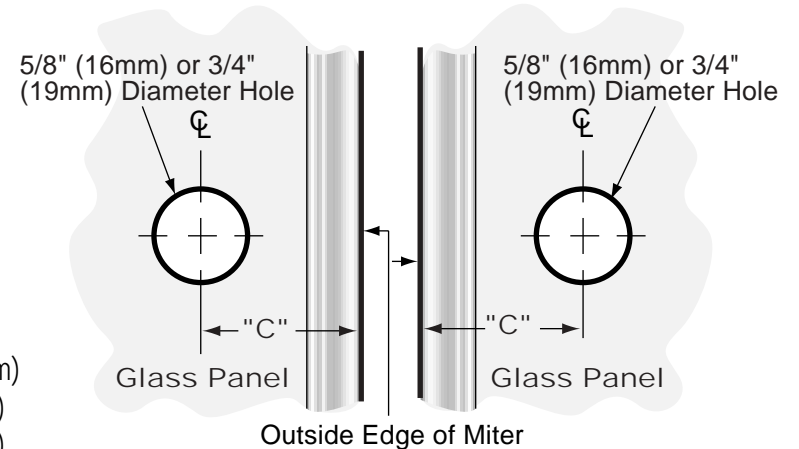
TEMPLATE OPTION FOR SQUARE CUT GLASS



TYPICAL INSTALLATION



TEMPLATE OPTION FOR 22-1/2° MITERED GLASS



GLASS CLAMPS

THE TEMPLATE OPTIONS ON THIS PAGE
APPLY TO THE CLAMPS BELOW

Cathedral Style 135° Glass Clamp

CAT. No. GCB235

Junior Cathedral Style 135° Glass Clamp

CAT. No. GCB6235

Glass Thickness	"C"* Measurement
1/4" (6mm)	1-3/16" (30mm)
5/16" (8mm)	1-1/4" (32mm)
3/8" (10mm)	1-1/4" (32mm)
1/2" (12mm)	1-5/16" (34mm)

*From outside edge of miter