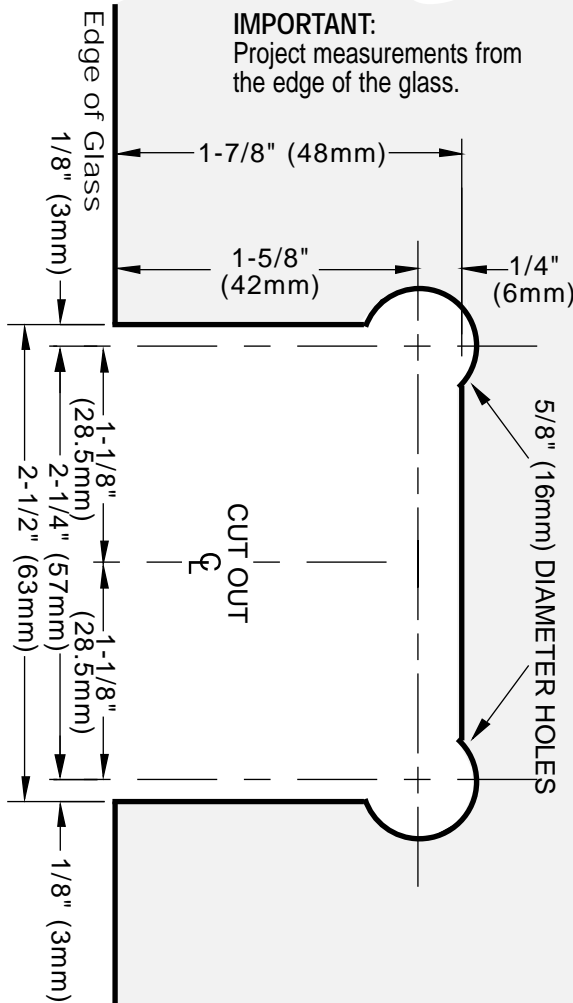
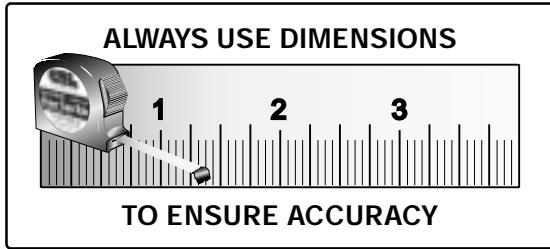
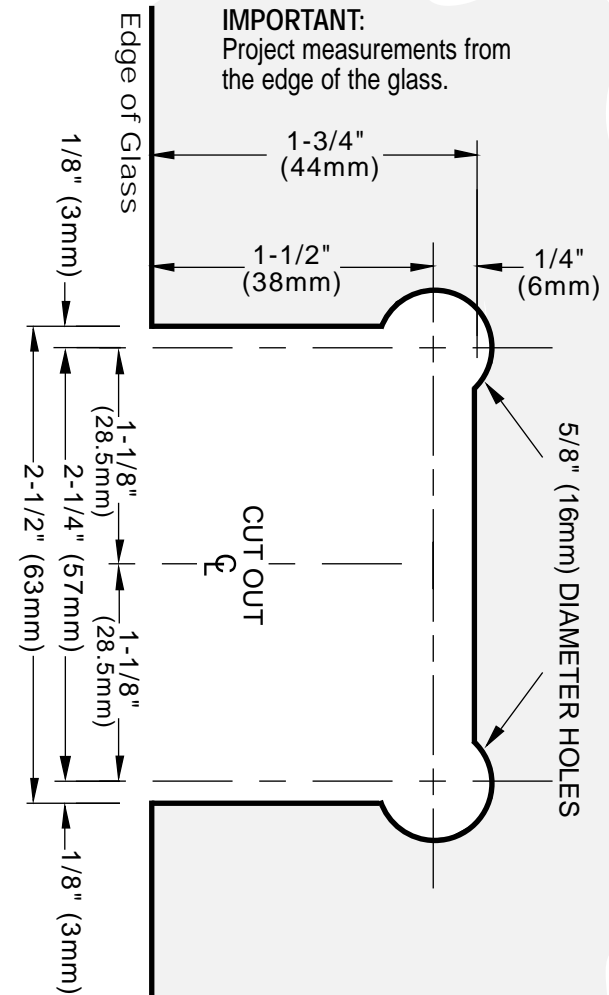




C.R. LAURENCE CO., INC.
PROFESSIONAL QUALITY



TIGHT CLEARANCE TEMPLATE
(1/32" (1mm) to 5/32" (4mm) Clearance)



REGULAR CLEARANCE TEMPLATE
(1/8" (3mm) to 1/4" (6mm) Clearance)

GENEVA

Wall Mount Hinge – Short Back Plate
CAT No. GEN074

