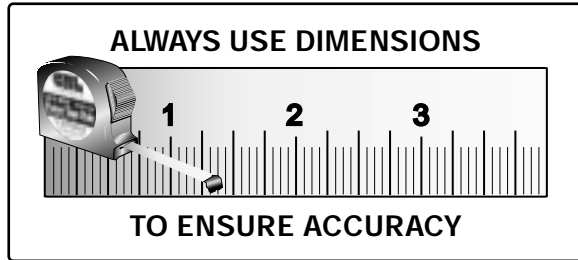


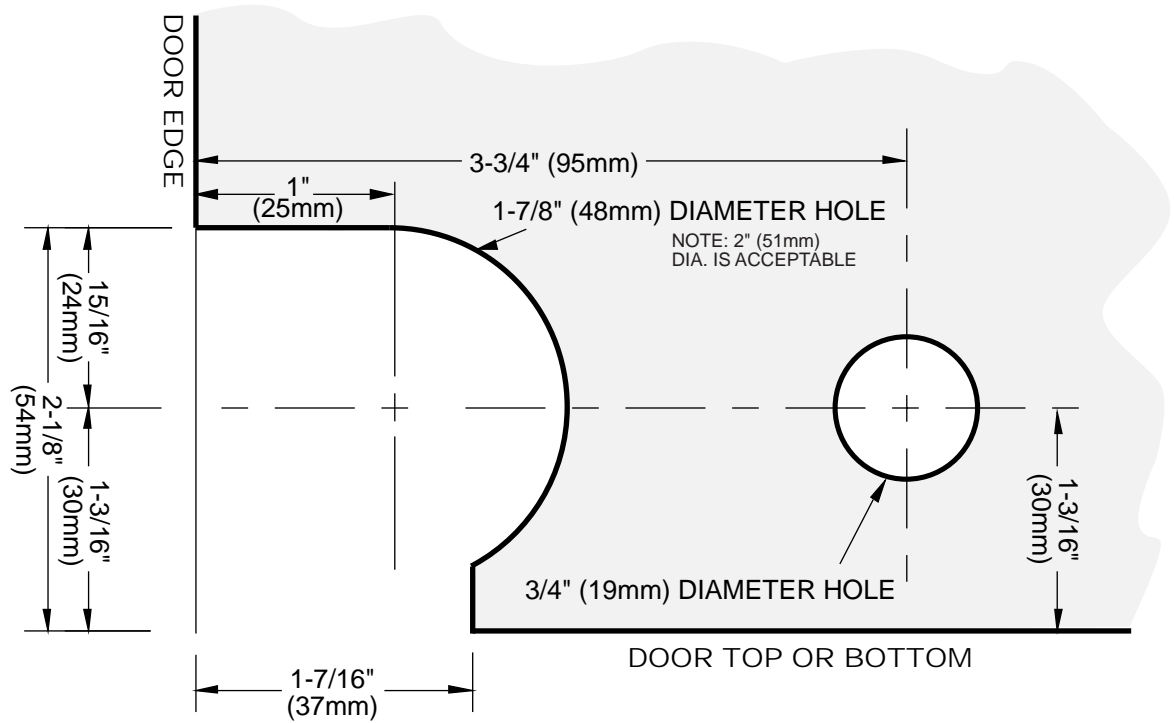


C.R. LAURENCE CO., INC.
PROFESSIONAL QUALITY



IMPORTANT:

Project measurements from the edge of the glass.



TOP OR BOTTOM CORNER MOUNT TEMPLATE

GRANDE

Standard Back Plate – Wall Mount Hinge

Top and Bottom Corner Mount Option

CAT No. GRA037