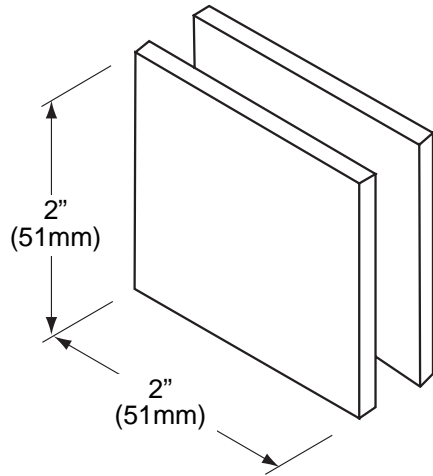
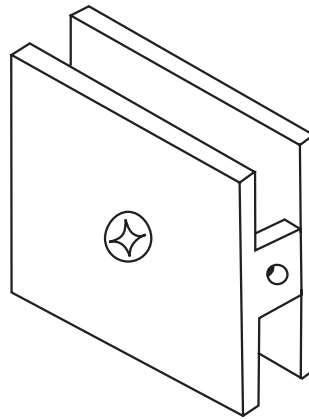




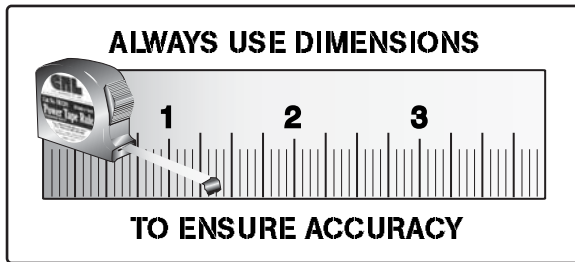
C.R. LAURENCE CO., INC.
PROFESSIONAL QUALITY



FRONT VIEW



REAR VIEW



**HEAVY DUTY
 GLASS CLAMPS**
 Fixed Panel Square U-Clamp
 CAT. No.SCU4

Specifications:

Material: Solid brass
Glass Thickness Range: 3/8"(10mm) to 1/2"(12mm)
Hole Size Required: 5/8"(16mm) or 3/4"(19mm)
Includes: Mounting screws and gaskets

TEMPLATE

Important: Project measurements from the edge of the glass

TYPICAL INSTALLATION

